

USER GROUP: 2-5 Years

RECOMMENDED CREW: 4 People

TOOLS REQUIRED:

- T-30, 3/16" Allen wrench, #2 Square Drive
- Level
- Drill Bits: 3/32", 7/64", 5/32", 21/64"
- High Speed 3/8" Electric Drill with Clutch

NOTE: Use of any other driver may result in damage to tool and/or hardware!

INSTALLATION TIME: 3 Hours

WEIGHT: 600 lbs.

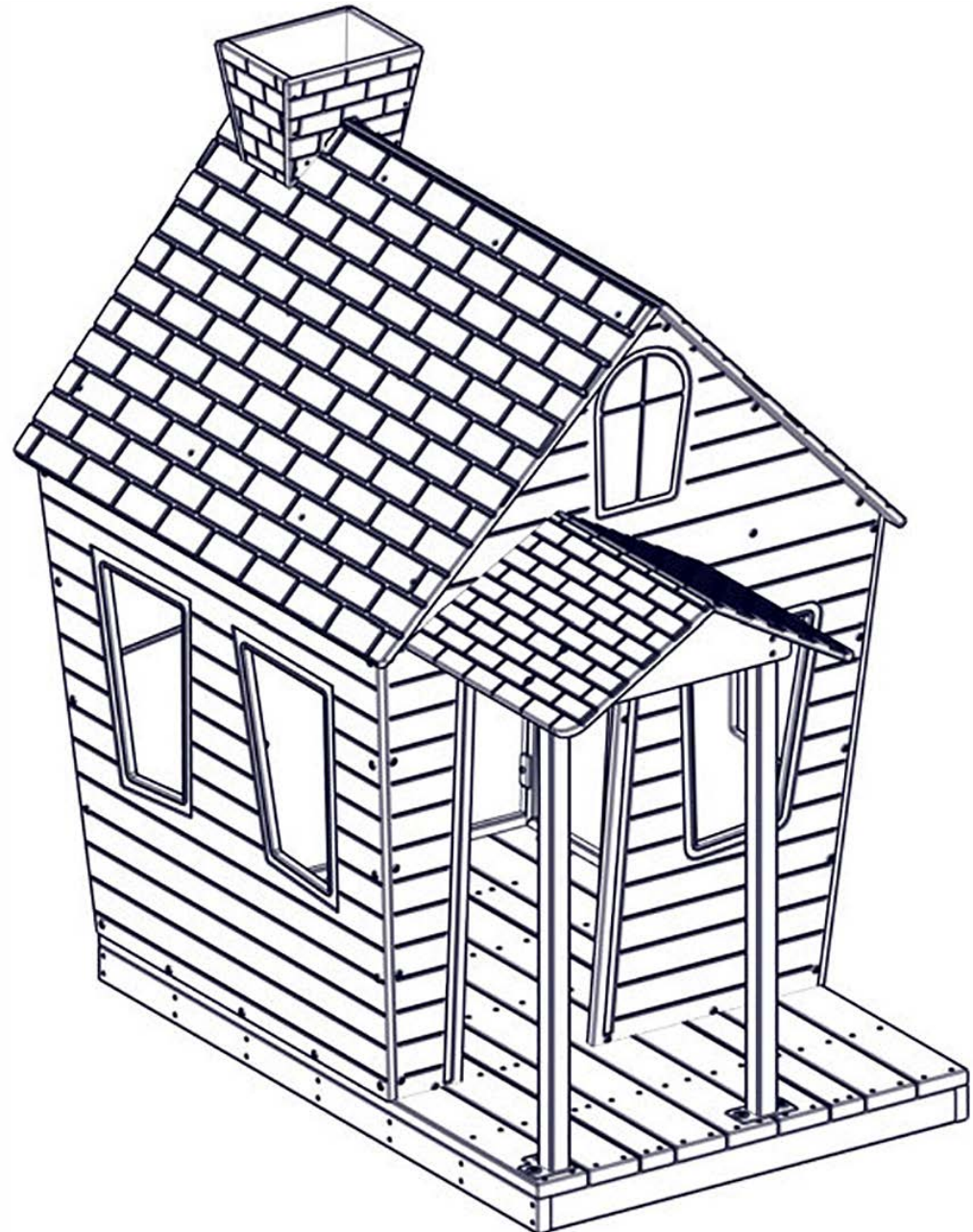
CONCRETE REQUIRED: None

PRE-INSTALLATION CHECK:

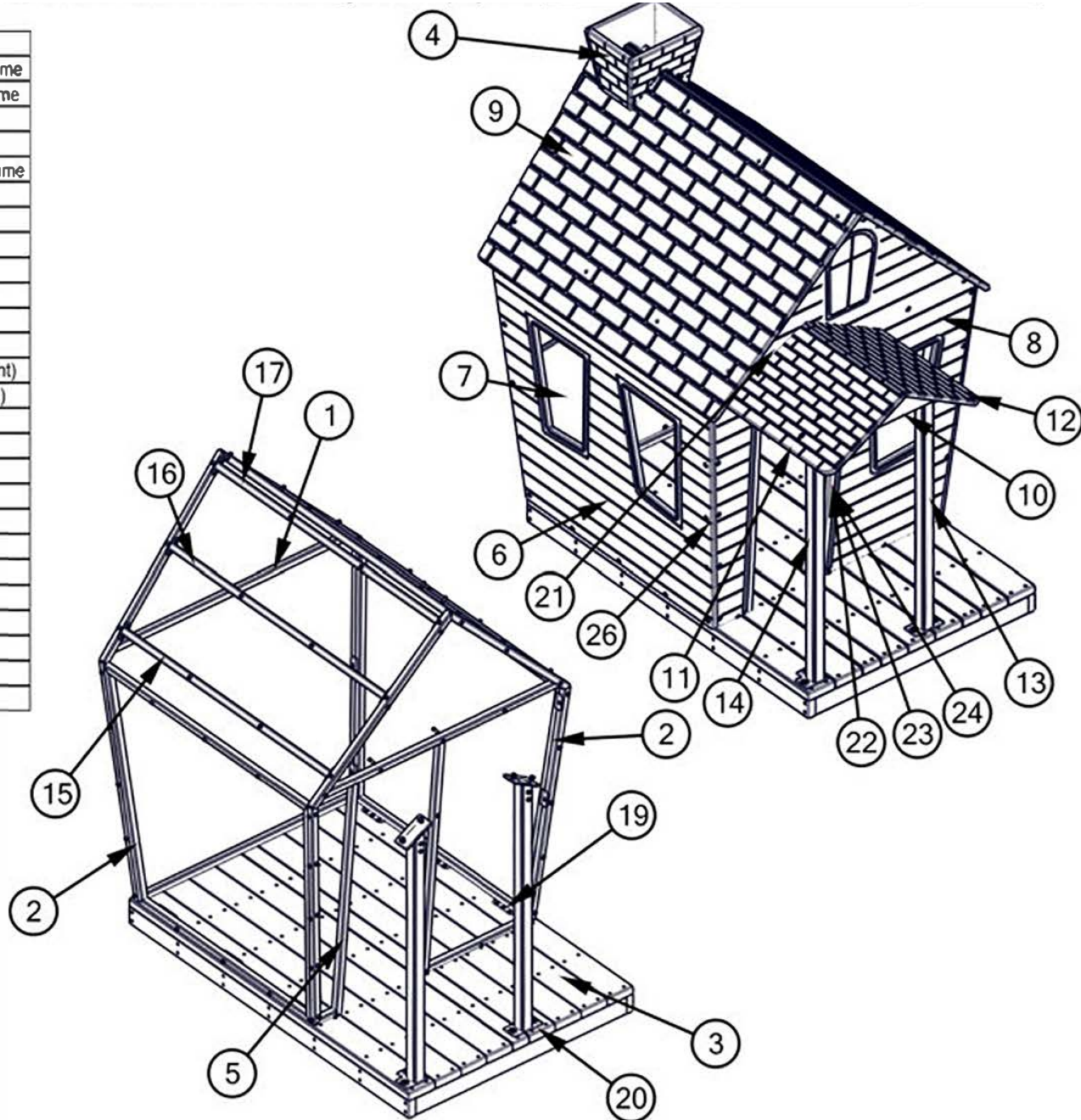
Customer is responsible for verifying materials received by comparing received items with packing list. If any parts are missing or damaged, contact your local sales representative immediately.

Supplier is not responsible for items discovered missing after 72 hours from time of delivery.

Before beginning installation, all installers must read and understand the Installation Introduction manual as supplied. If you did not receive a copy, or if you have any questions regarding any information in the Installation Instructions or this Installation Guideline, contact your local sales representative.

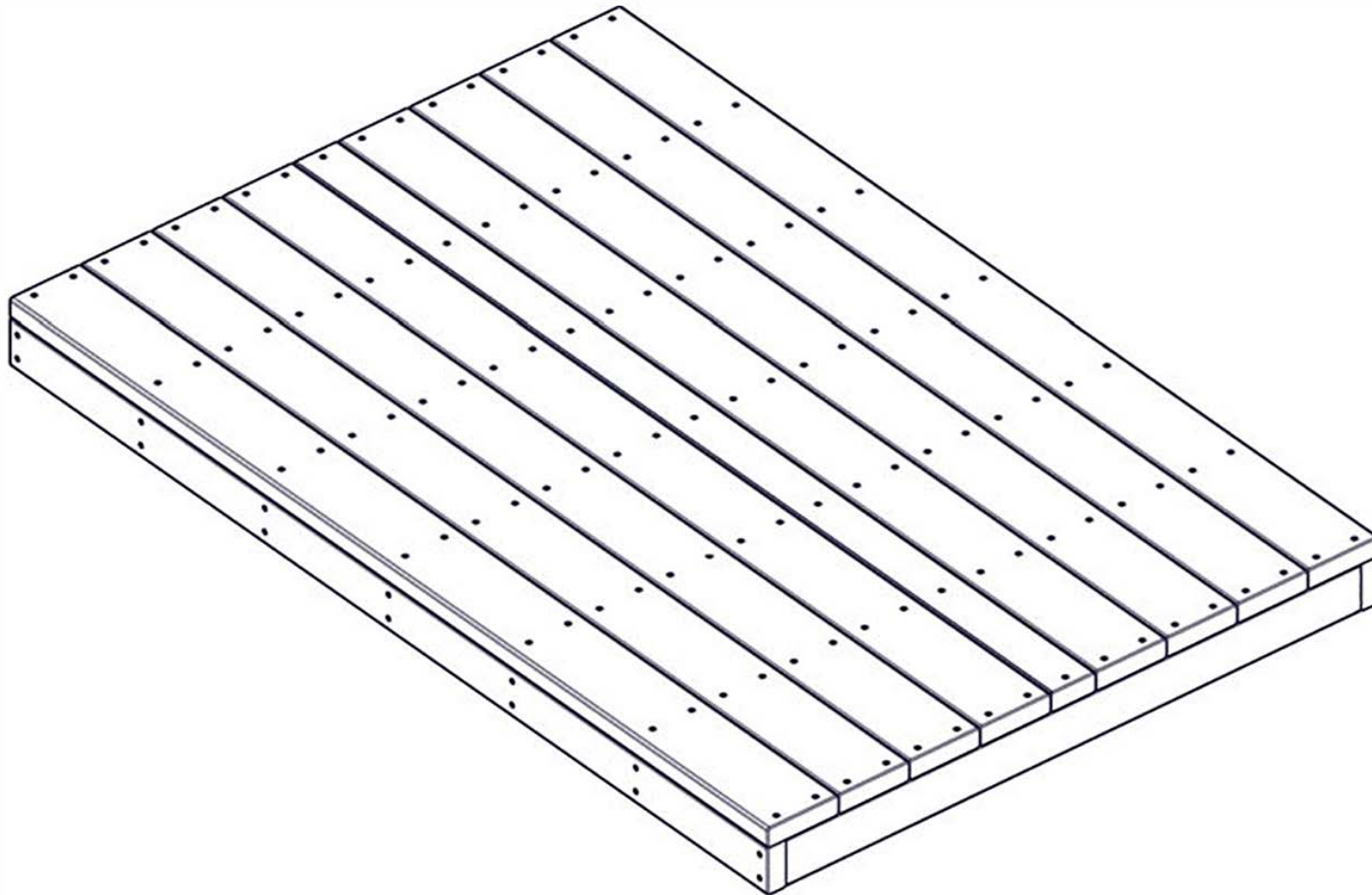


| ITEM | Part No. | QTY | DESCRIPTION |
|------|-------------|-----|---|
| 1 | AFB-31124XX | 1 | Wldmnt - R-town School/House Back Panel Frame |
| 2 | AFB-31123XX | 2 | Wldmnt - R-town School/House Side Panel Frame |
| 3 | TRA0162XX | 1 | Pre-Assem. - R-Town Deck |
| 4 | RSA-0625XX | 1 | Pre-Assem. - R-Town® Cottage Chimney |
| 5 | AFB-31130XX | 1 | Wldmnt - R-town School/House Front Panel Frame |
| 6 | RSP-1882XX | 2 | Sheet - R-Town® Cottage Side Wall Panel |
| 7 | RSP-1885XX | 1 | Sheet - R-Town® Cottage Back Wall Panel |
| 8 | RSP-1884XX | 1 | Sheet - R-Town® Cottage Front Wall Panel |
| 9 | RSP-1674XX | 2 | Sheet - R-Town Roof |
| 10 | RSP-1669XX | 1 | Sheet - R-Town School Porch Roof Support |
| 11 | RSP-1677XX | 1 | Sheet - R-Town Porch Roof (Left Side) |
| 12 | RSP-1678XX | 1 | Sheet - R-Town Porch Roof (Right Side) |
| 13 | AFB-31145XX | 1 | Wldmnt - R-town Porch Roof Support Post (Right) |
| 14 | AFB-31147XX | 1 | Wldmnt - R-town Porch Roof Support Post (Left) |
| 15 | AFB-31149XX | 2 | Wldmnt - R-town Roof Support Bottom |
| 16 | AFB-31150XX | 2 | Wldmnt - R-town Roof Support Middle |
| 17 | AFB-31151XX | 2 | Wldmnt - R-town Roof Support Top |
| 18 | HWS0021 | 60 | Screw - 1/4" x 1" Self Tapping Torx w/Patch |
| 19 | HWS0298 | 29 | Screw - 1/4" x 1-1/2" RSS SS |
| 20 | HWWR0092 | 4 | Washer 3/8" ID x 1-1/4" OD Flat SS |
| 21 | HWS0107 | 2 | Screw #8 x 1-5/8" Deck SS |
| 22 | HWB0344 | 4 | Bolt - 5/16"-18 x 3/4" ABH SS |
| 23 | HWN0149 | 18 | Nut - 5/16 - Zn Insert Type I |
| 24 | HWWR0114 | 18 | Washer 5/16 ID x 3/4 OD Flat .05 |
| 25 | HWB0352 | 14 | Bolt - 5/16"-18 x 1-1/2" ABH SS |
| 26 | HWS0081 | 81 | 3/8" x 1-1/4" Self Tapping Torx w/patch |



STEP 1

Place deck into final location. Deck will not be moved once placed. Refer to the site plan drawing and site elevation drawing for placement of all structures. Installer is responsible for proper location of all structures. Either end of deck can be designated as the front.



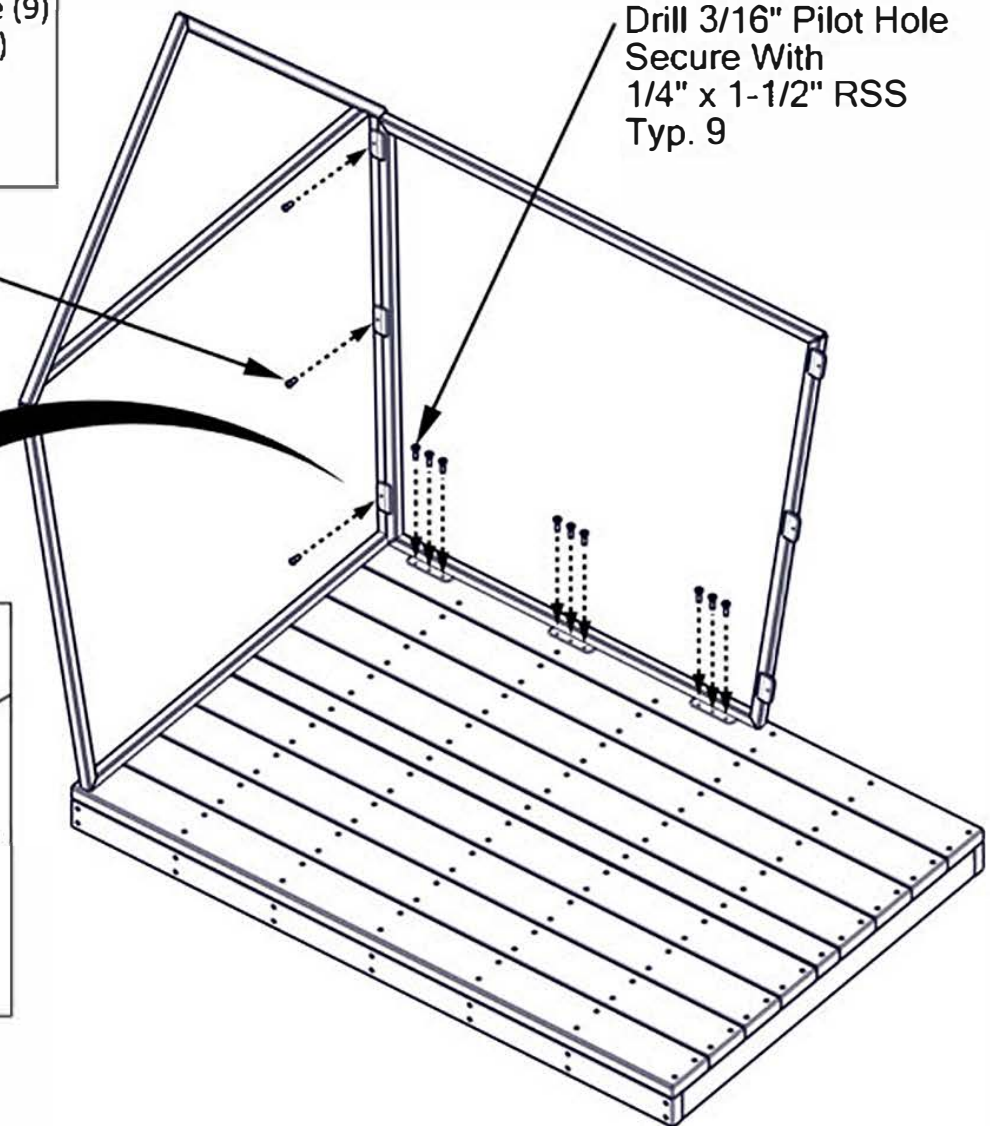
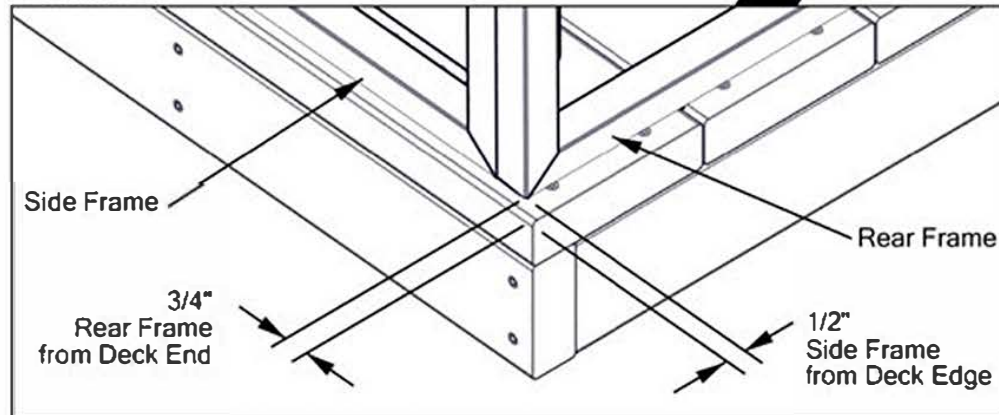
STEP 2

Mount rear frame and side frame. Place rear frame 3/4" from rear edge of deck. Center rear frame on deck. Place side frame 1/2" from side edge of deck. See Detail 2-1. At bottom plates on side frame, drill nine (9) 3/16" pilot holes through bottom plates into deck. Secure with nine (9) 1/4" x 1-1/2" RSS. At edge plates on side frame, secure with three (3) 1/4" x 1" self-tapping Torx. Pilot holes are not required. Bracing may be required until all frames are mounted.

Secure With
1/4" x 1"
Self-Tapping Torx
Typ. 3

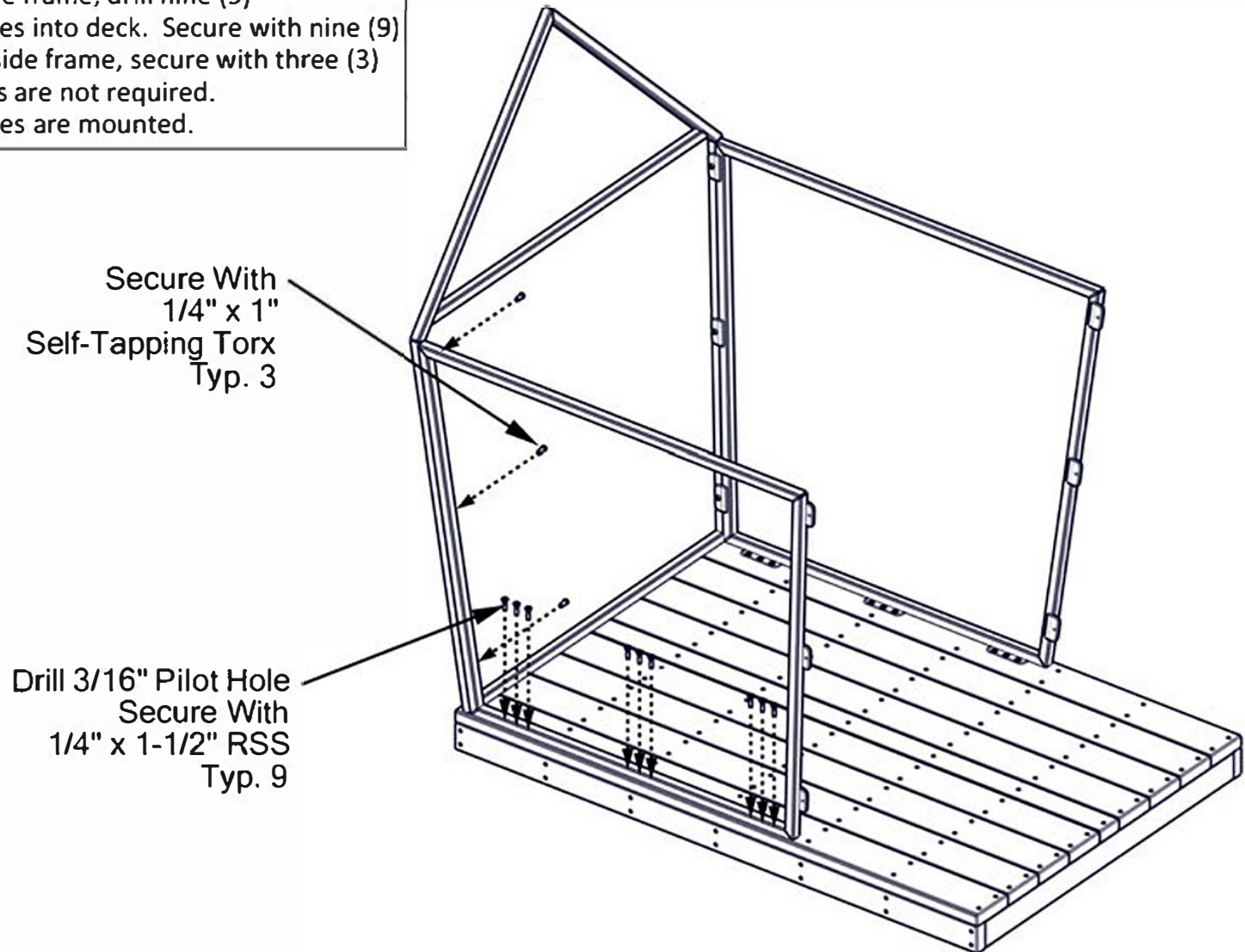
Drill 3/16" Pilot Hole
Secure With
1/4" x 1-1/2" RSS
Typ. 9

Detail 2-1



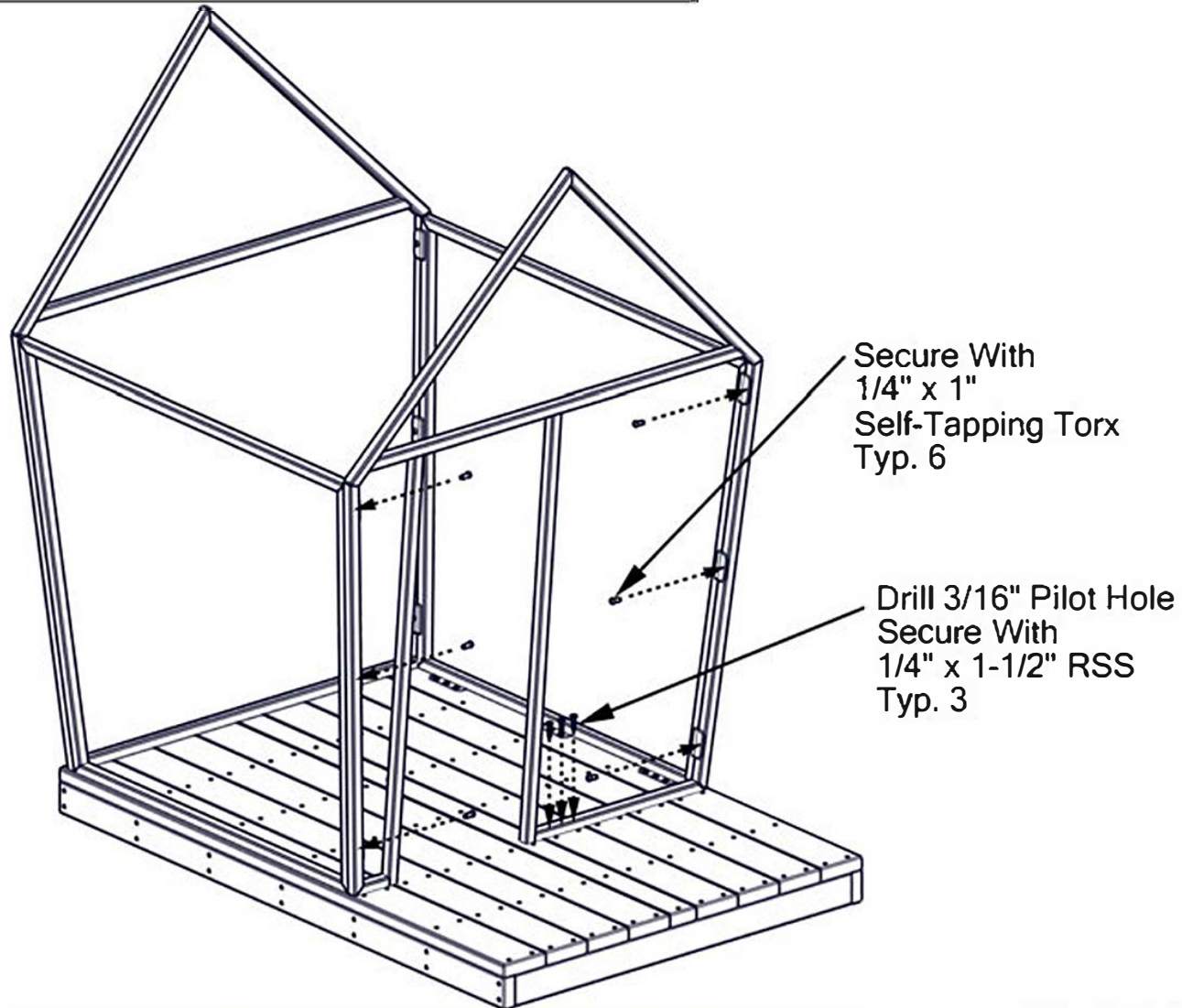
STEP 3

Secure side frame to rear frame. Place side frame 1/2" from side edge of deck. At bottom plates on side frame, drill nine (9) 3/16" pilot holes through bottom plates into deck. Secure with nine (9) 1/4" x 1-1/2" RSS. At edge plates on side frame, secure with three (3) 1/4" x 1" self-tapping Torx. Pilot holes are not required. Bracing may be required until all frames are mounted.



STEP 4

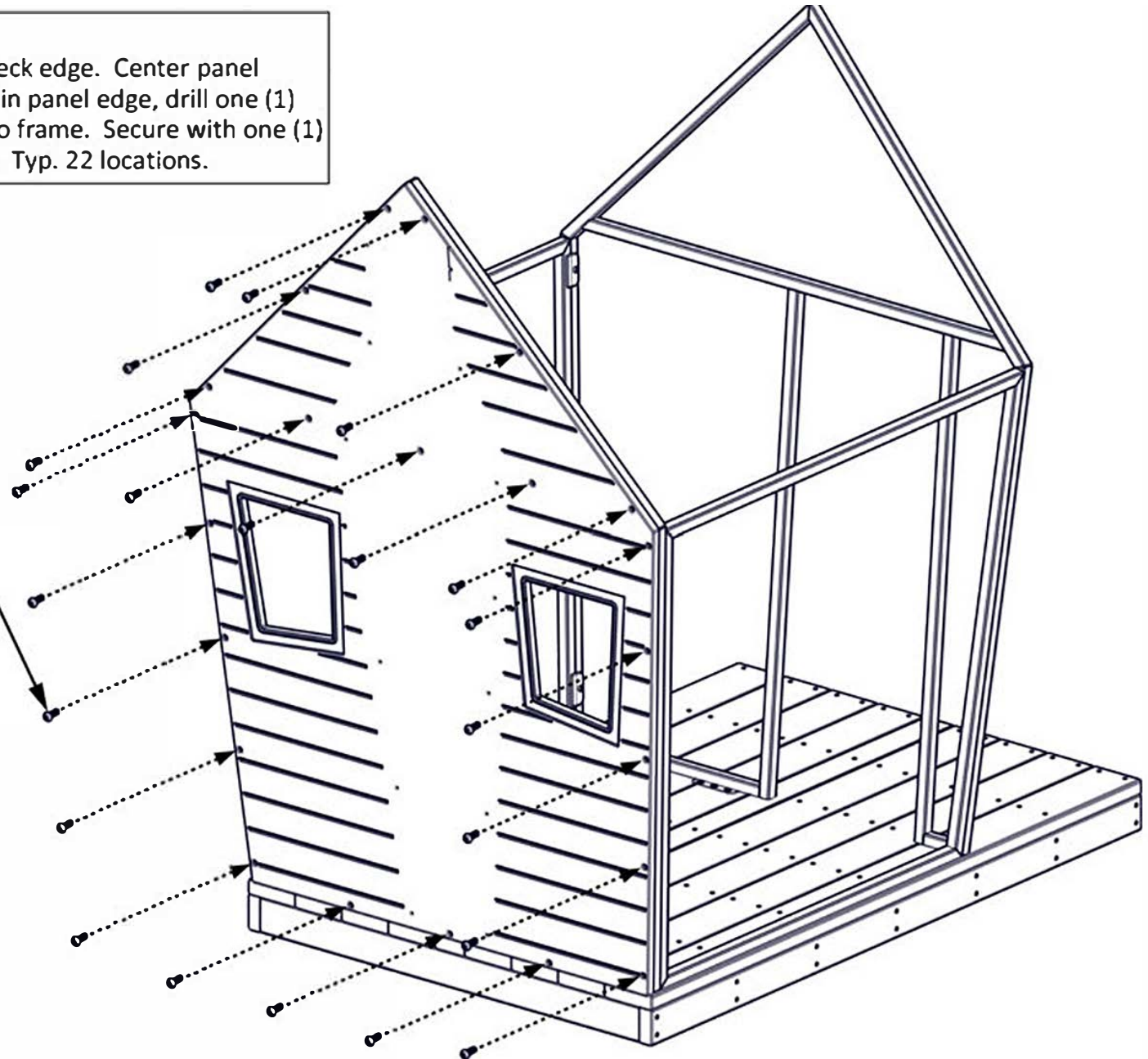
Secure front frame to side frames. Place front frame between side frames. At edge plates on side frames, secure with six (6) 1/4" x 1" self-tapping Torx. Pilot holes are not required. At edge plate on bottom of front frame, drill three (3) 3/16" pilot holes through plate and into deck. Secure with three (3) 1/4" x 1-1/2" RSS.



STEP 5

Mount rear panel. Set panel flush on deck edge. Center panel on rear frame. At each pre-drilled hole in panel edge, drill one (1) 21/64" pilot hole through panel and into frame. Secure with one (1) 3/8" x 1-1/4" self-tapping security Torx. Typ. 22 locations.

Drill 21/64" Pilot Hole
Secure With
3/8" x 1-1/4" Self-Tapping
Security Torx
Typ. 22

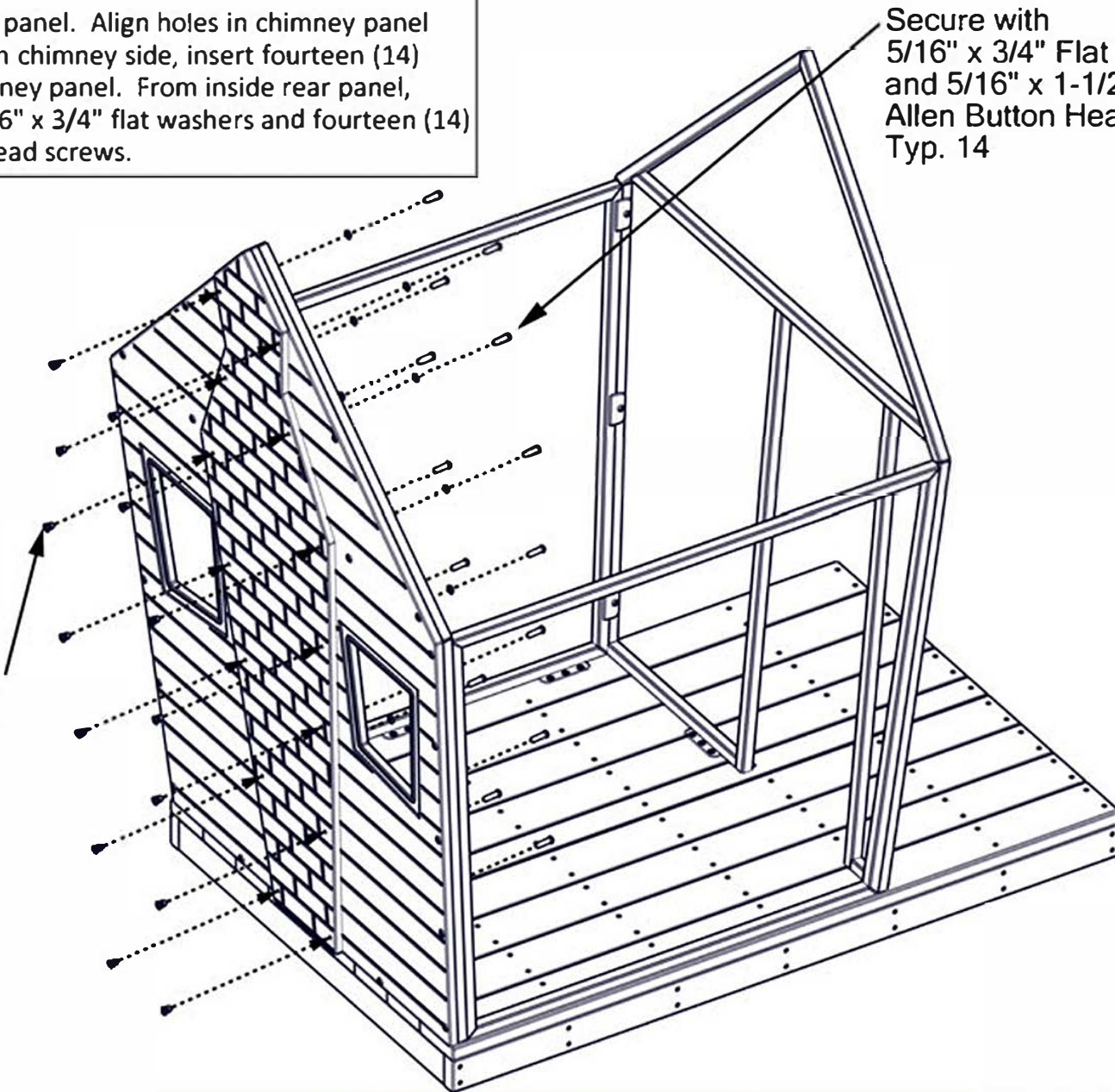


STEP 6

Mount chimney panel to rear panel. Align holes in chimney panel with holes in rear panel. From chimney side, insert fourteen (14) 5/16" knock-in nuts into chimney panel. From inside rear panel, secure with fourteen (14) 5/16" x 3/4" flat washers and fourteen (14) 5/16" x 1-1/2" Allen button head screws.

Secure with
5/16" x 3/4" Flat Washer
and 5/16" x 1-1/2"
Allen Button Head Screw
Typ. 14

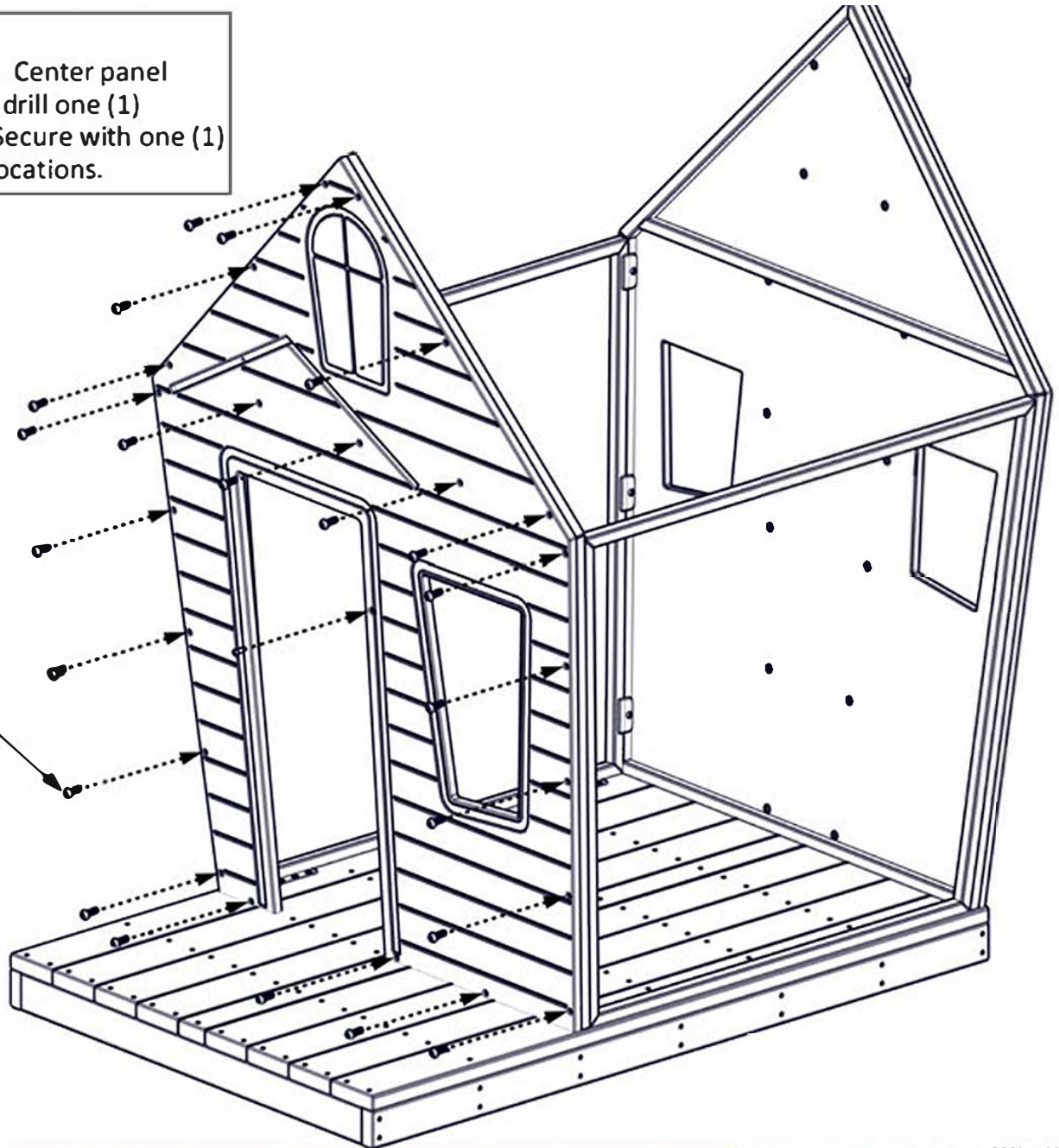
Insert 5/16" Knock-In Nut
Typ. 14



STEP 7

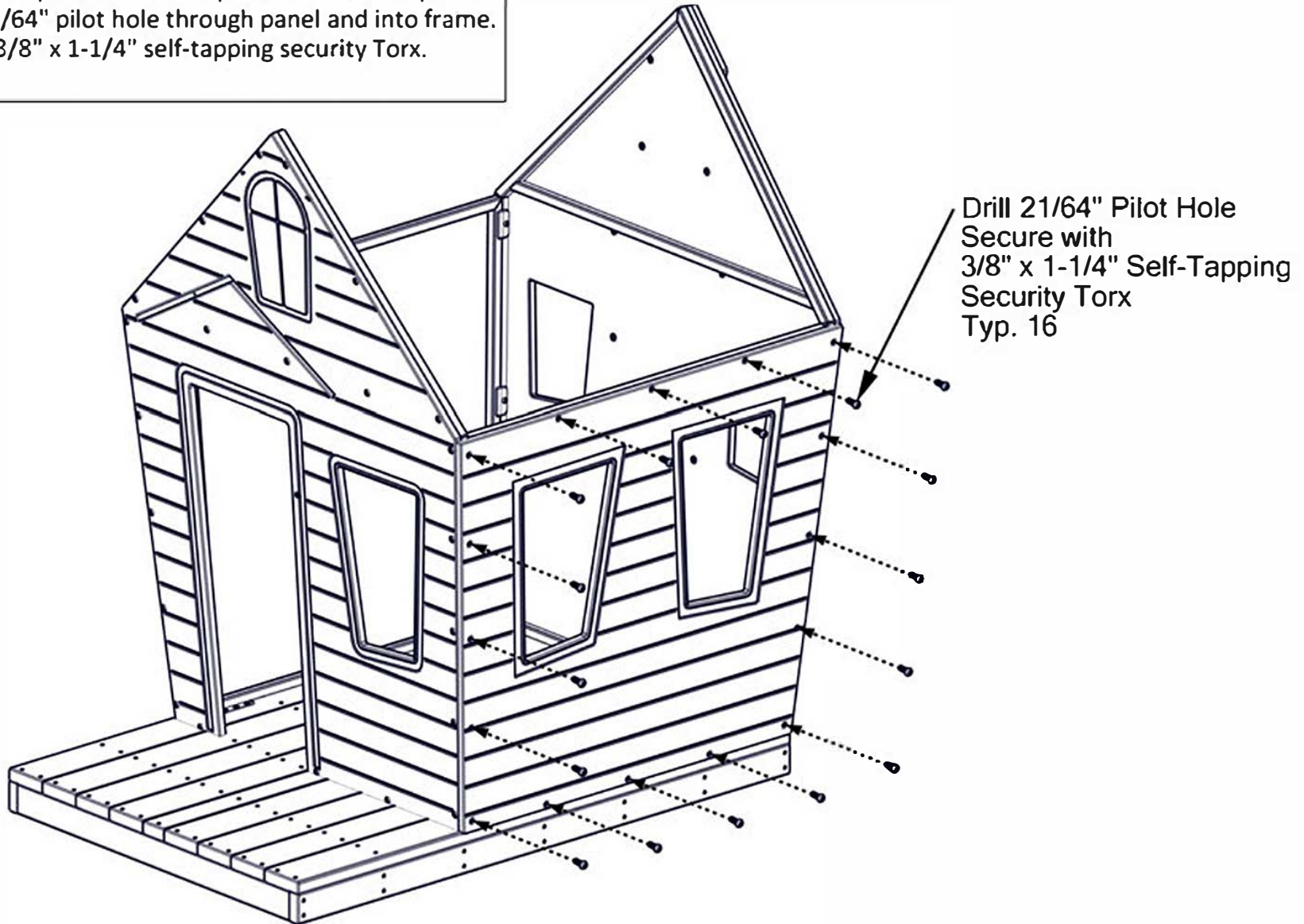
Mount front panel. Set panel flush on deck edge. Center panel on front frame. At each pre-drilled hole in panel, drill one (1) 21/64" pilot hole through panel and into frame. Secure with one (1) 3/8" x 1-1/4" self-tapping security Torx. Typ. 23 locations.

Drill 21/64" Pilot Hole
Secure With
3/8" x 1-1/4" Self-Tapping
Security Torx
Typ. 22



STEP 8

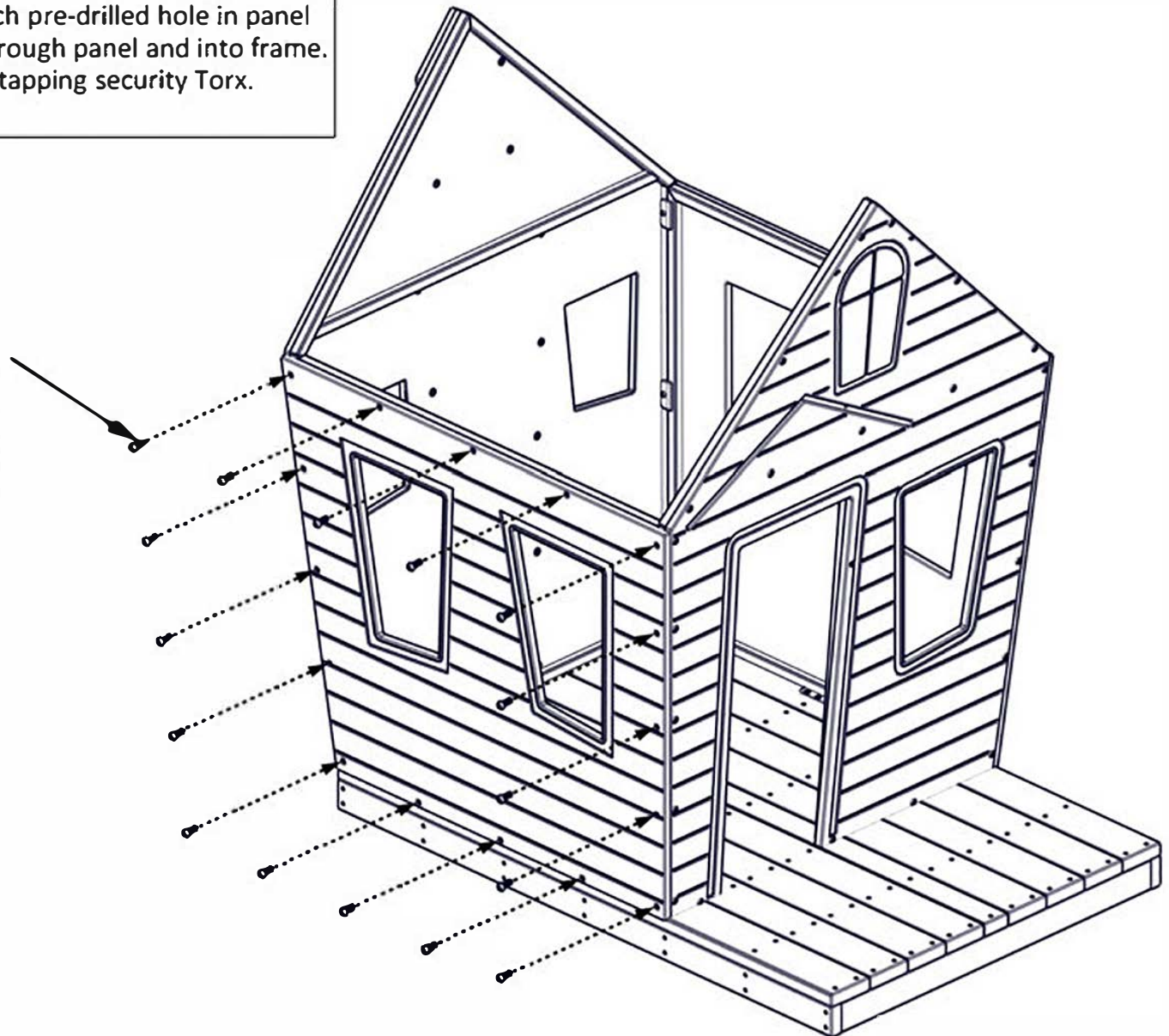
Mount right side panel. Set panel flush on deck edge. Place panel between front and rear panels. At each pre-drilled hole in panel edge, drill one (1) 21/64" pilot hole through panel and into frame. Secure with one (1) 3/8" x 1-1/4" self-tapping security Torx. Typ. 16 locations.



STEP 9

Mount left side panel. Set panel flush on deck edge. Place panel between front and rear panels. At each pre-drilled hole in panel edge, drill one (1) 21/64" pilot hole through panel and into frame. Secure with one (1) 3/8" x 1-1/4" self-tapping security Torx. Typ. 16 locations.

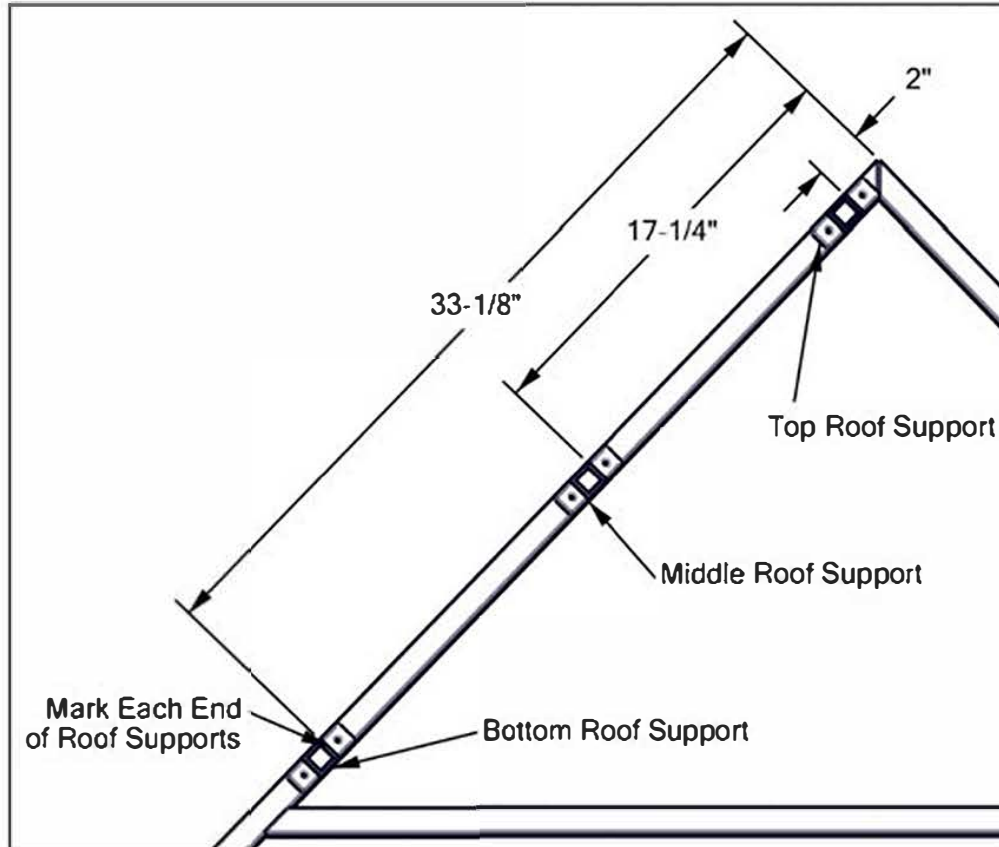
Drill 21/64" Pilot Hole
Secure with
3/8" x 1-1/4" Self-Tapping
Security Torx
Typ. 16



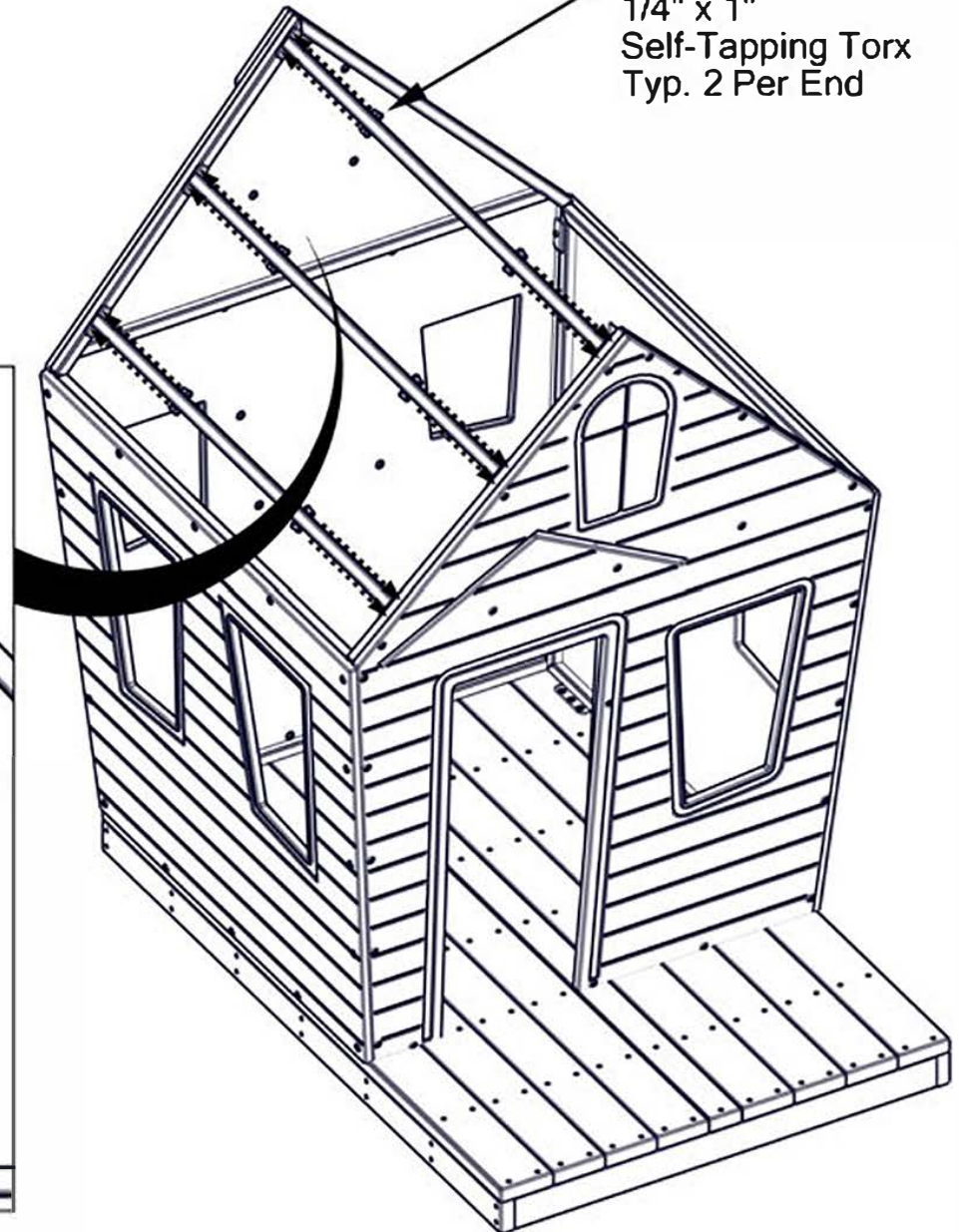
STEP 10

Mount left side roof supports. Roof supports are three lengths. Measure from ridge of front and rear frames to bar of each roof support and mark positions. See Detail 10-1. Secure each end of roof supports with two (2) 1/4" x 1" self-tapping Torx. Repeat for opposite ends of roof supports.

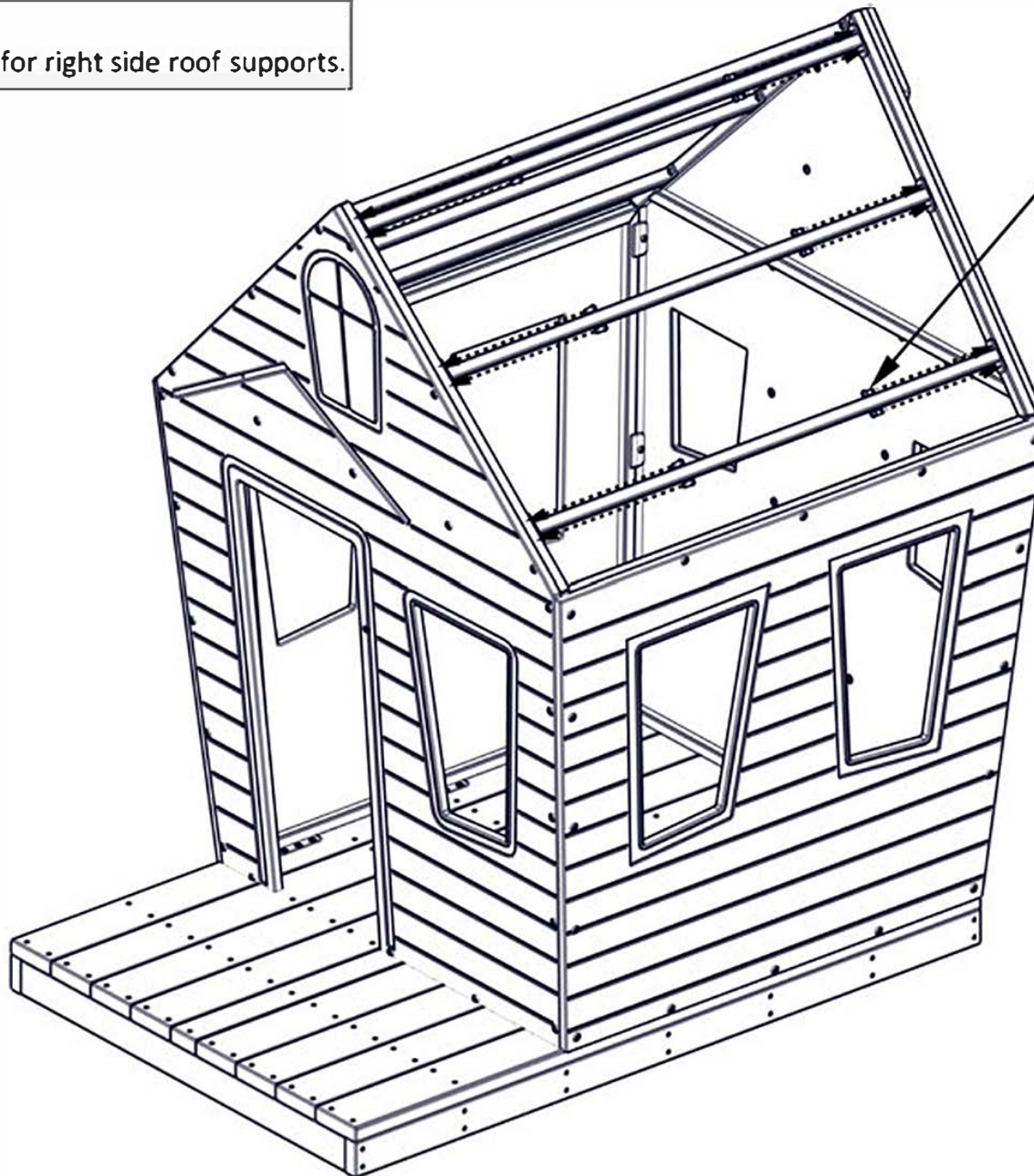
Detail 10-1



Secure With
1/4" x 1"
Self-Tapping Torx
Typ. 2 Per End



STEP 11
Repeat STEP 10 for right side roof supports.

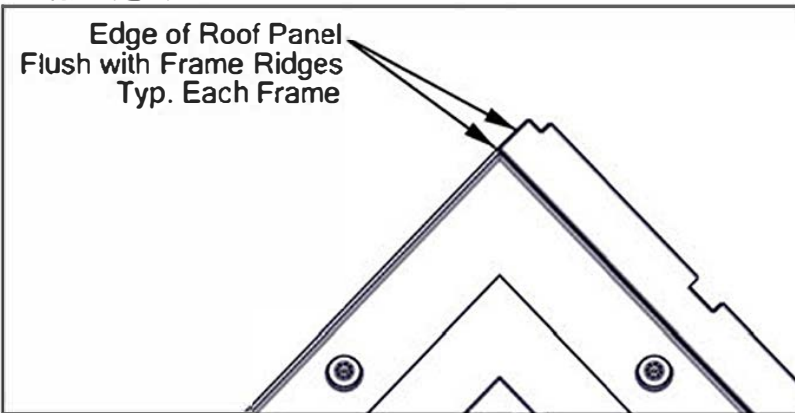


Secure With
1/4" x 1"
Self-Tapping Torx
Typ. 2 Per End

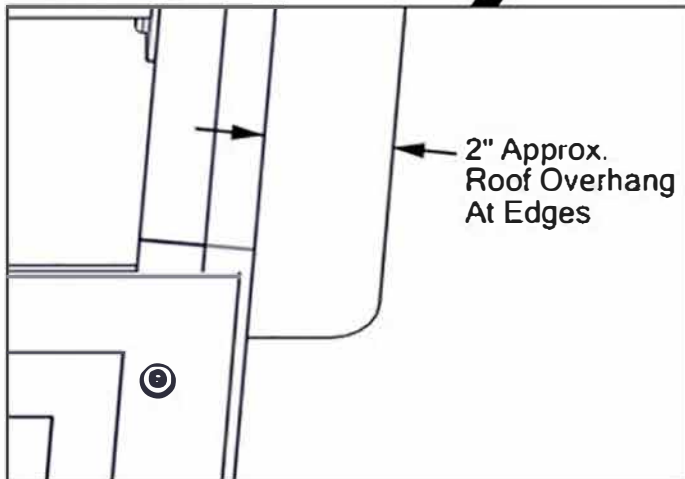
STEP 12

Mount right roof panel. Top edge of roof panel should be flush with frame ridges. See Detail 12-1. Center roof edges on front and rear frames. See Detail 12-2. Align countersunk holes in roof panel with roof support bars. At each countersunk hole, secure roof panel to roof supports with 1/4" x 1" self-tapping Torx. Typ. 12 locations.

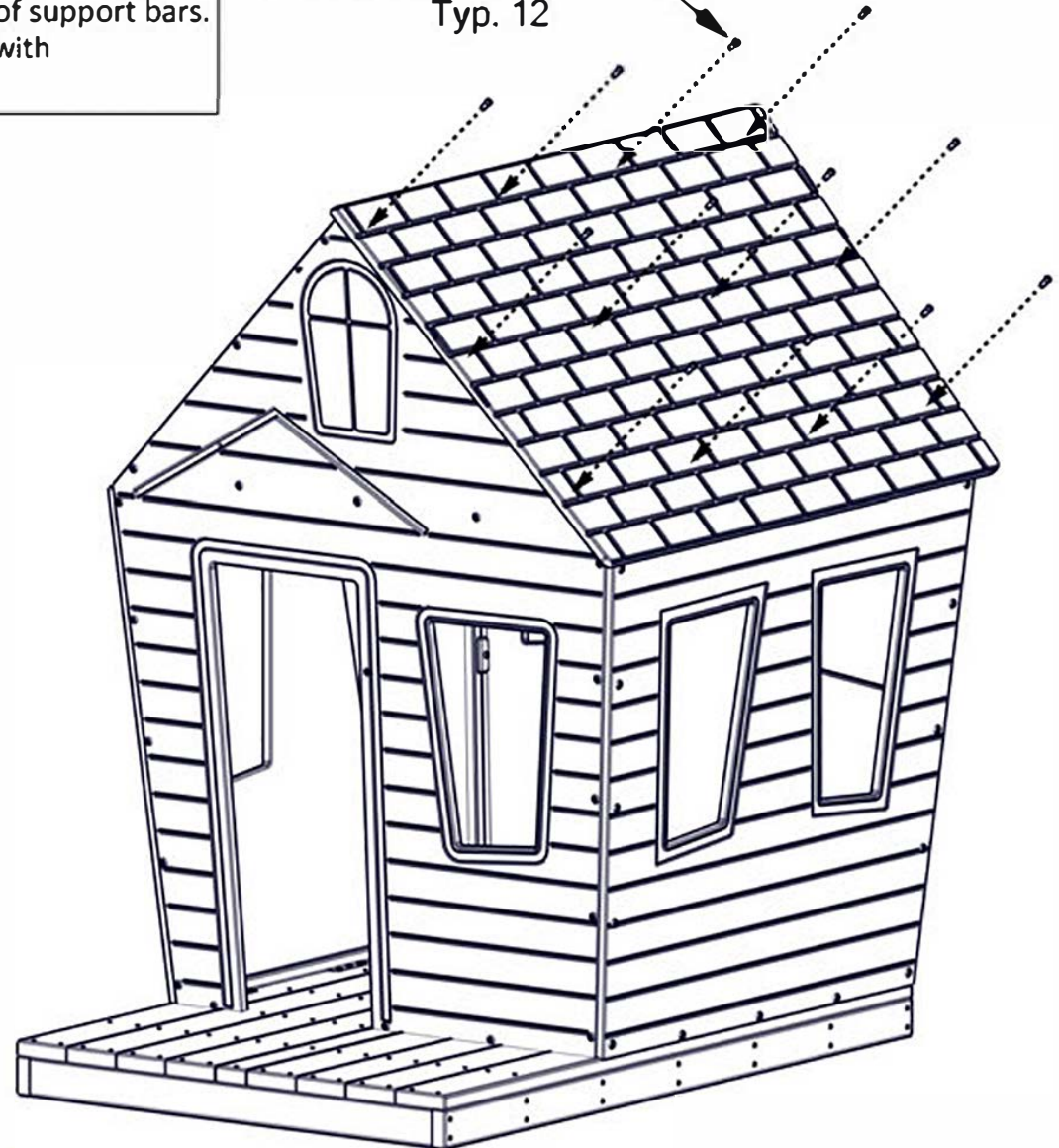
Detail 12-1



Detail 12-2

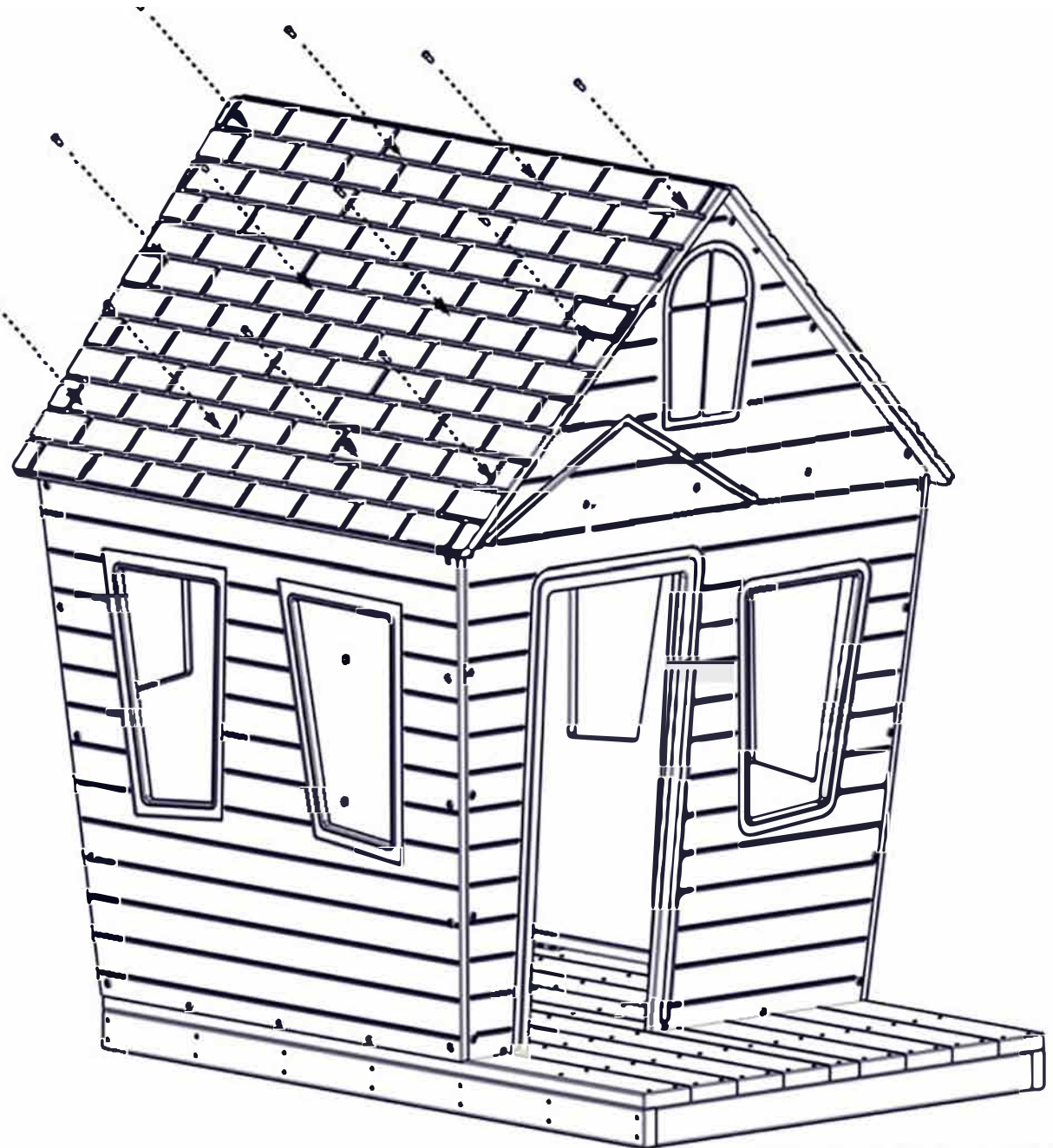


Secure With
1/4" x 1"
Self-Tapping Torx
Typ. 12



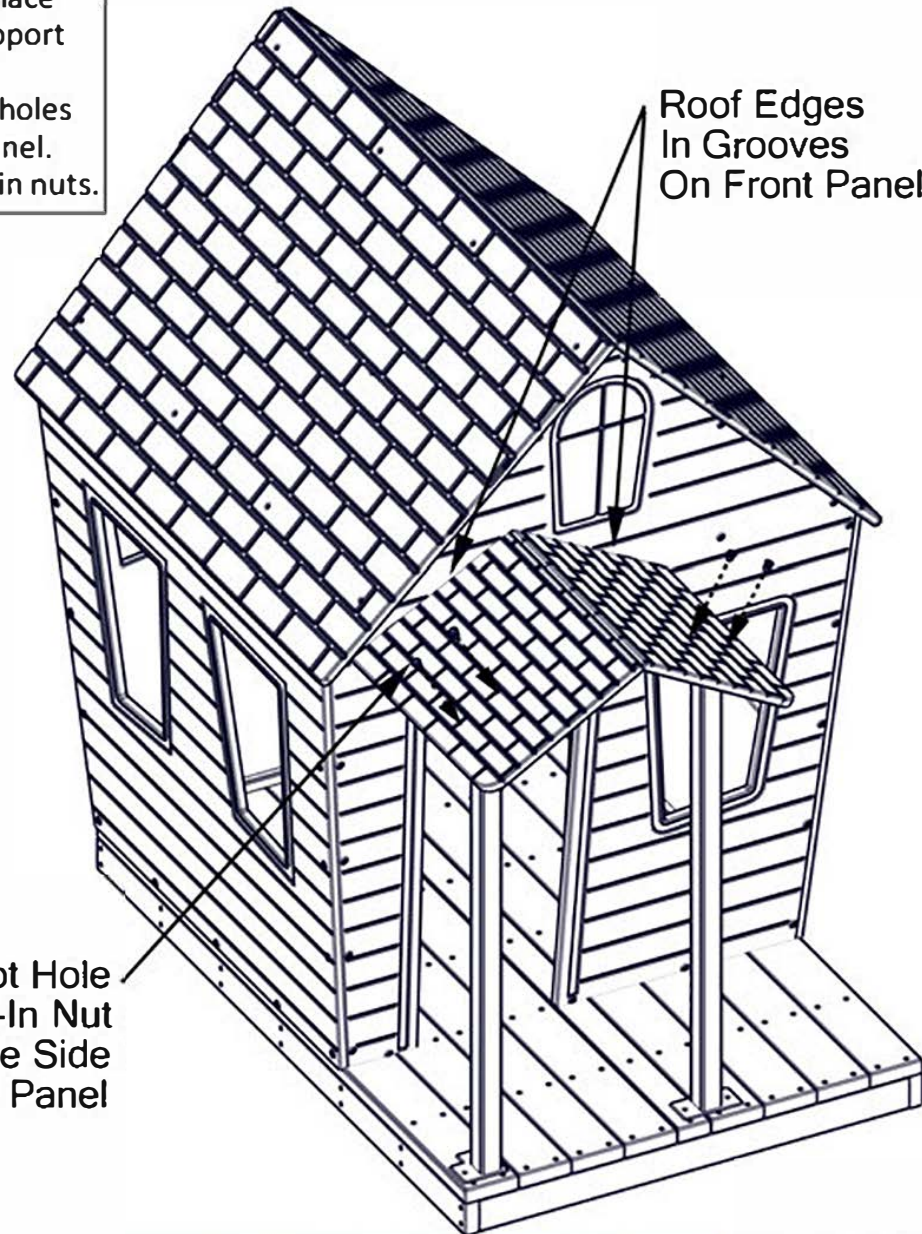
STEP 13
Repeat STEP 12 for left roof panel.

Secure With
1/4" x 1"
Self-Tapping Torx
Typ. 12



STEP 14

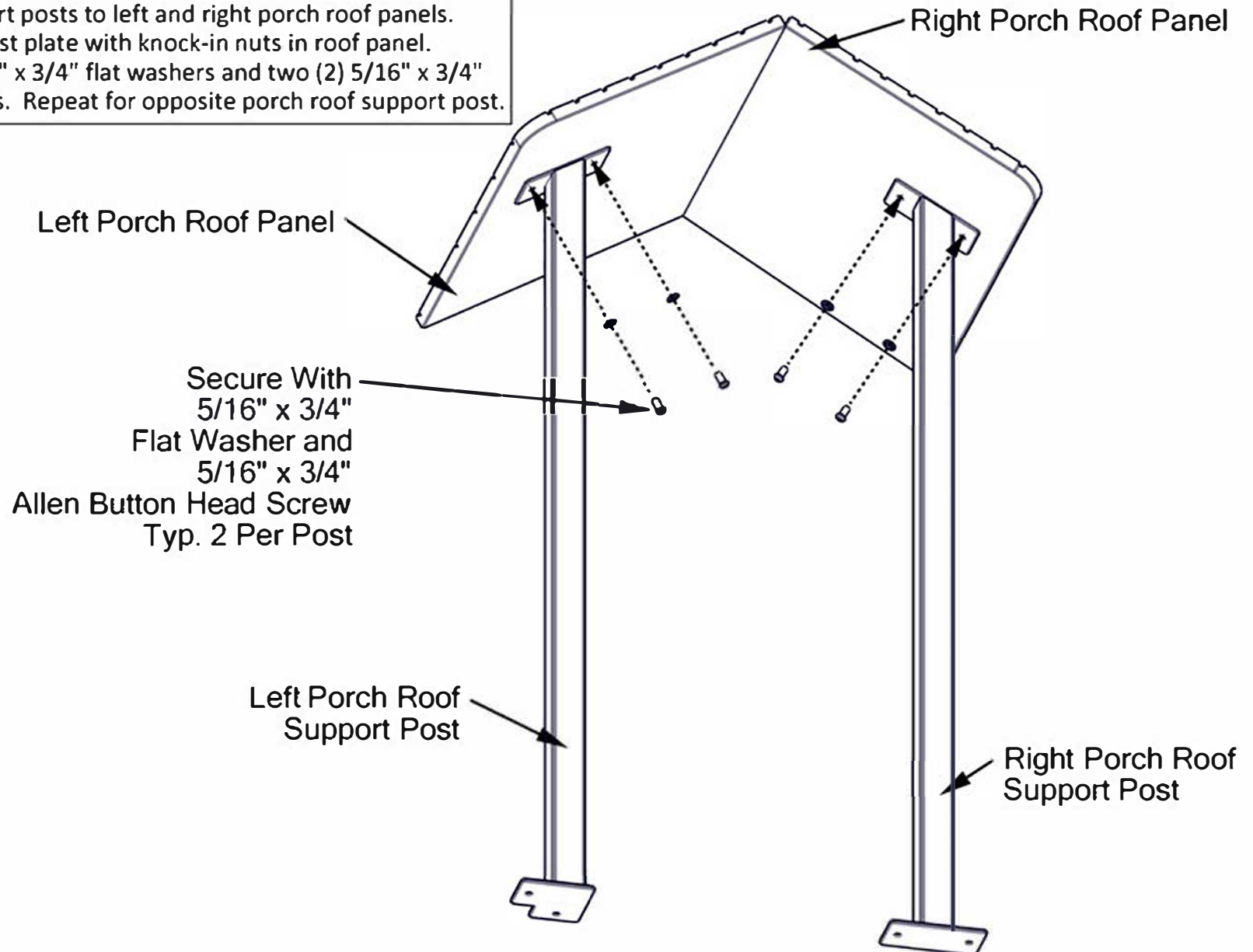
Secure knock-in nuts into porch roof panels. Temporarily place porch roof panels into slots on front panel. Place porch support posts 1" from front edge of deck. Ensure posts are plumb. At the top end of each support post, drill two (2) 1/4" pilot holes through top end of support post and through porch roof panel. From shingle side of roof panel, insert two (2) 5/16" knock-in nuts.



Drill 1/4" Pilot Hole
Insert 5/16" Knock-In Nut
From Shingle Side
Typ. 2 Per Porch Roof Panel

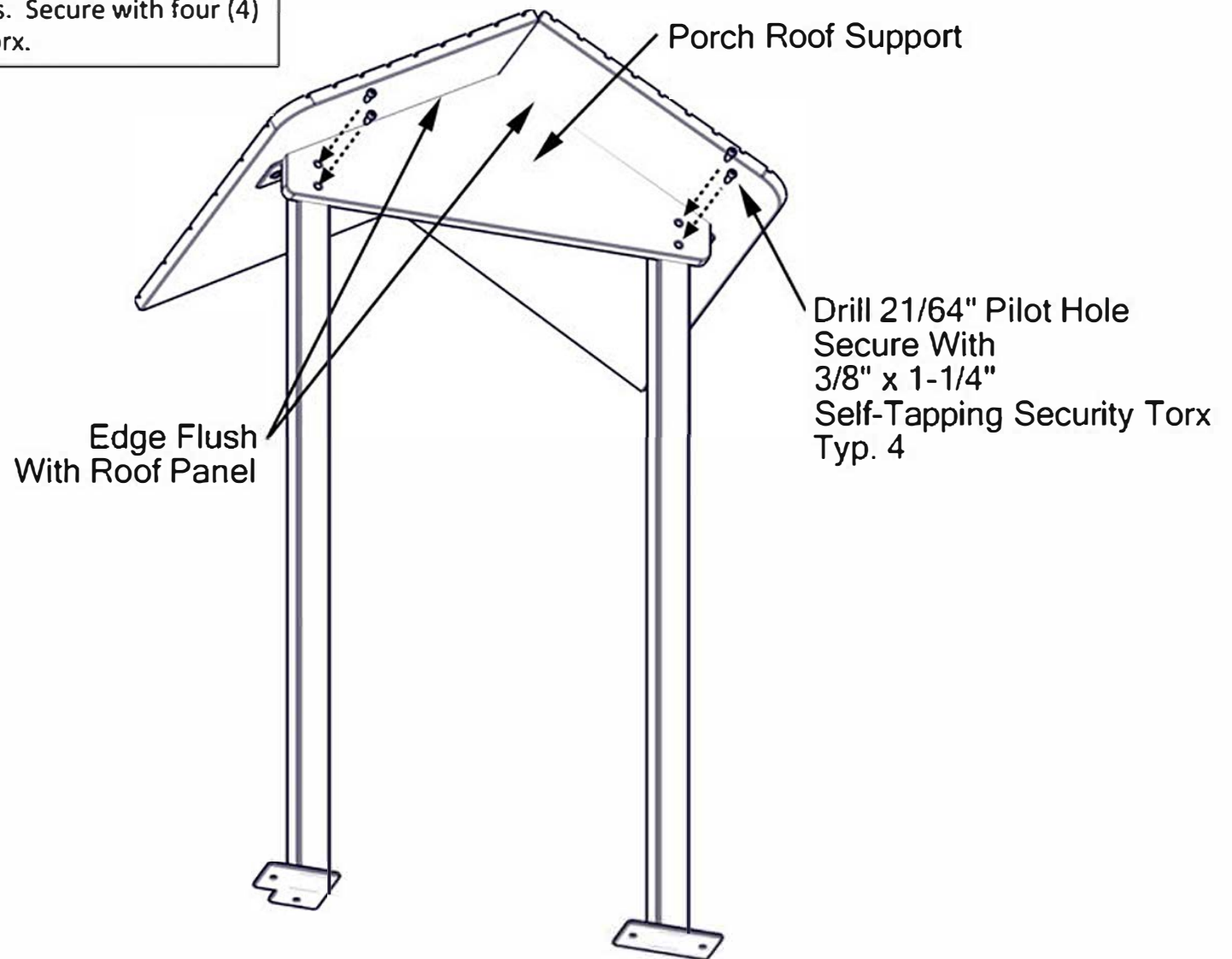
STEP 15

Mount porch roof support posts to left and right porch roof panels. Align holes in support post plate with knock-in nuts in roof panel. Secure with two (2) 5/16" x 3/4" flat washers and two (2) 5/16" x 3/4" Allen button head screws. Repeat for opposite porch roof support post.



STEP 16

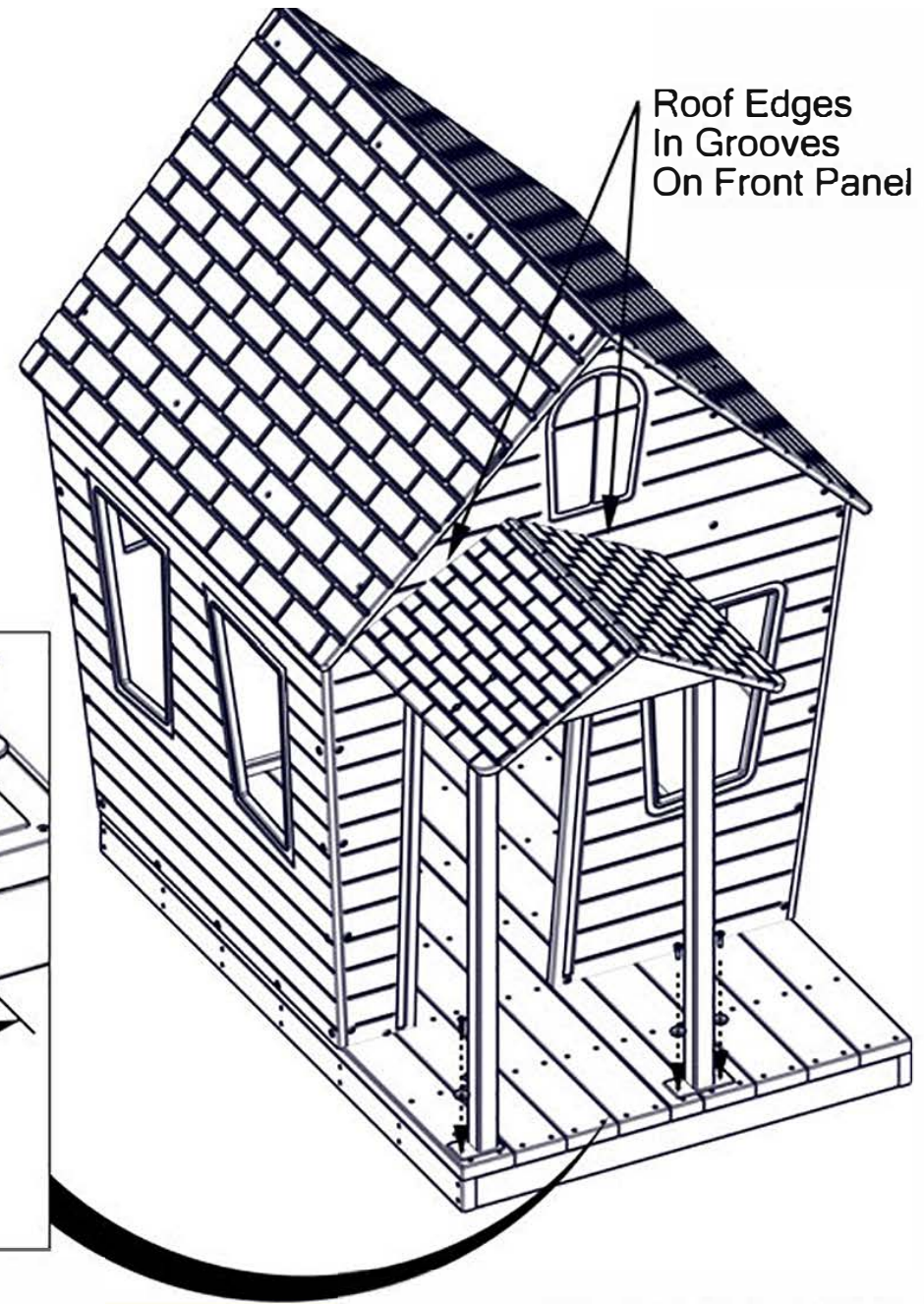
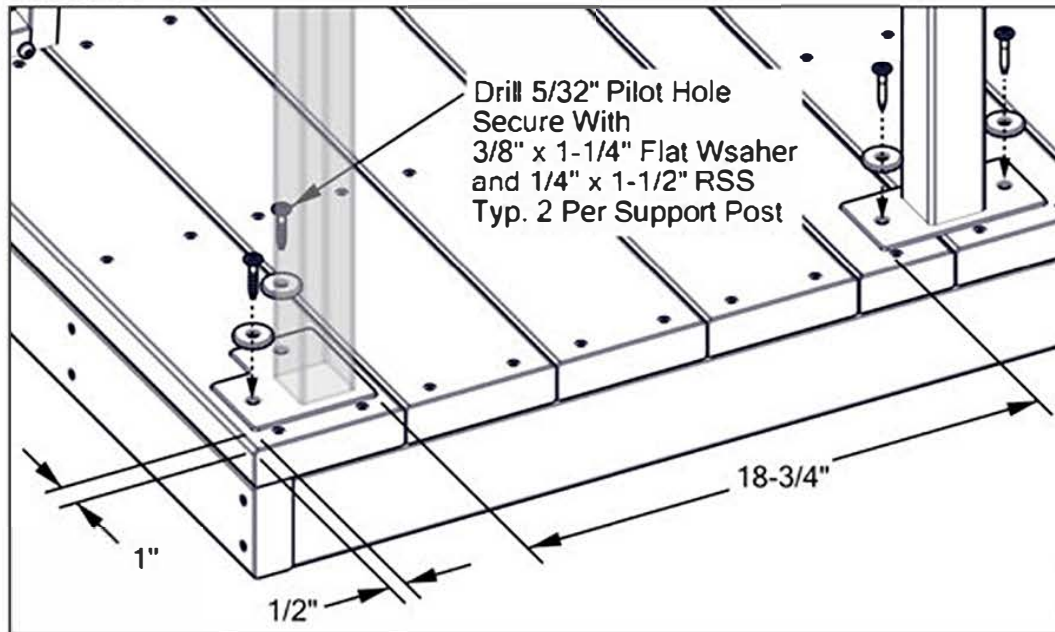
Mount porch roof support. Ensure top edge of roof support is flush against roof panels. Ensure pre-drilled holes in roof support are centered on support posts. Drill four (4) 21/64" through panel and into support posts. Secure with four (4) 3/8" x 1-1/4" self-tapping security Torx.



STEP 17

Secure porch assembly to deck. Place porch assembly around front panel door. Place rear edges of porch roof into grooves on front panel. Place feet of support posts 1" from edge of deck. Ensure support posts are plumb. Drill two (2) 5/32" holes through support post foot into deck. Secure with two (2) 3/8" x 1-1/4" flat washers and two (2) 1/4" x 1-1/2" RSS. See Detail 17-1. Repeat for opposite support post.

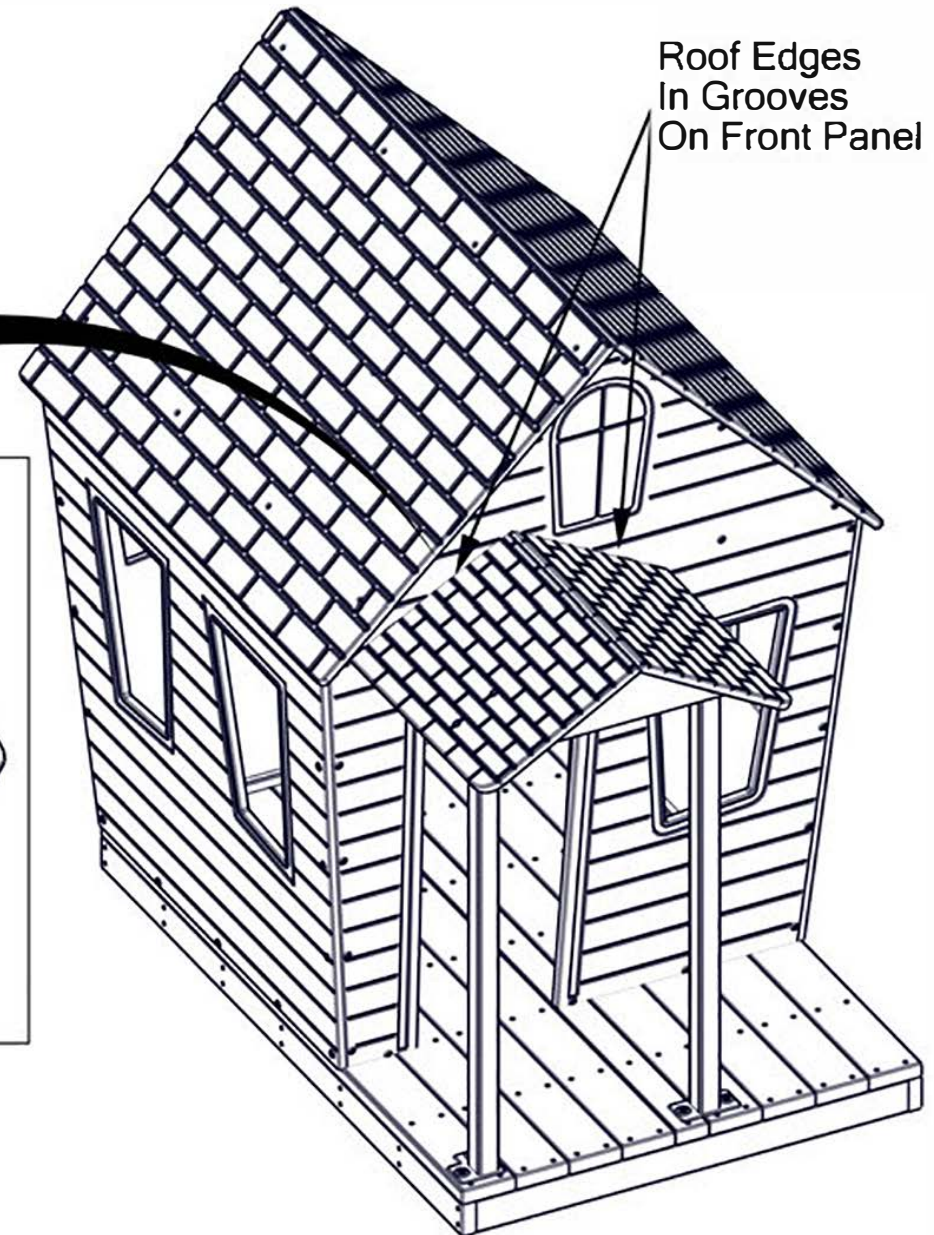
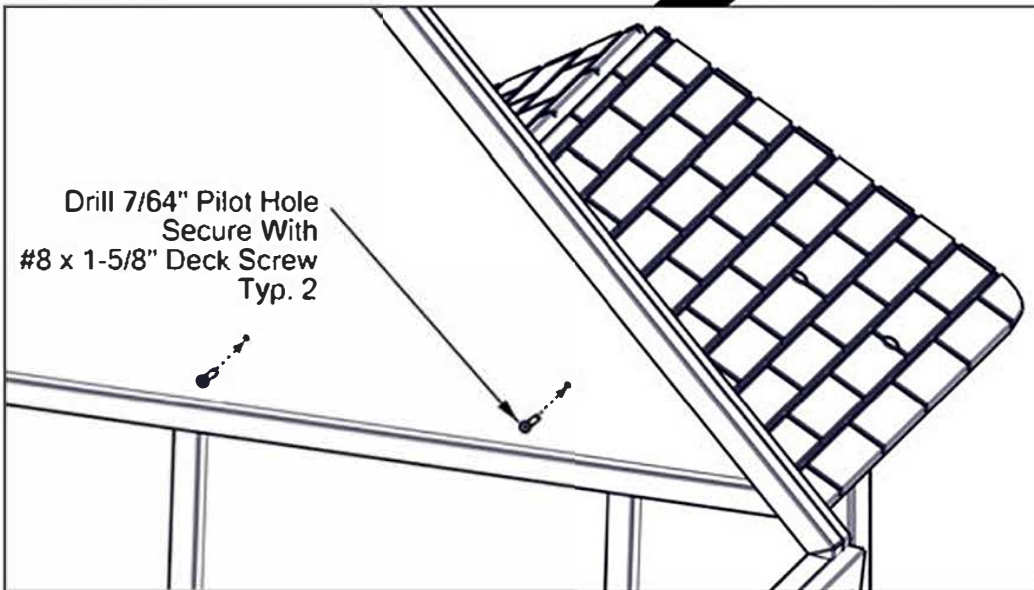
Detail 17-1



STEP 18

Secure porch roof edge to front panel. From inside house, drill two (2) 7/64" pilot holes through pre-drilled holes in front panel into edge of roof panels. Secure with two (2) #8 x 1-5/8" deck screws. See Detail 18-1.

Detail 18-1



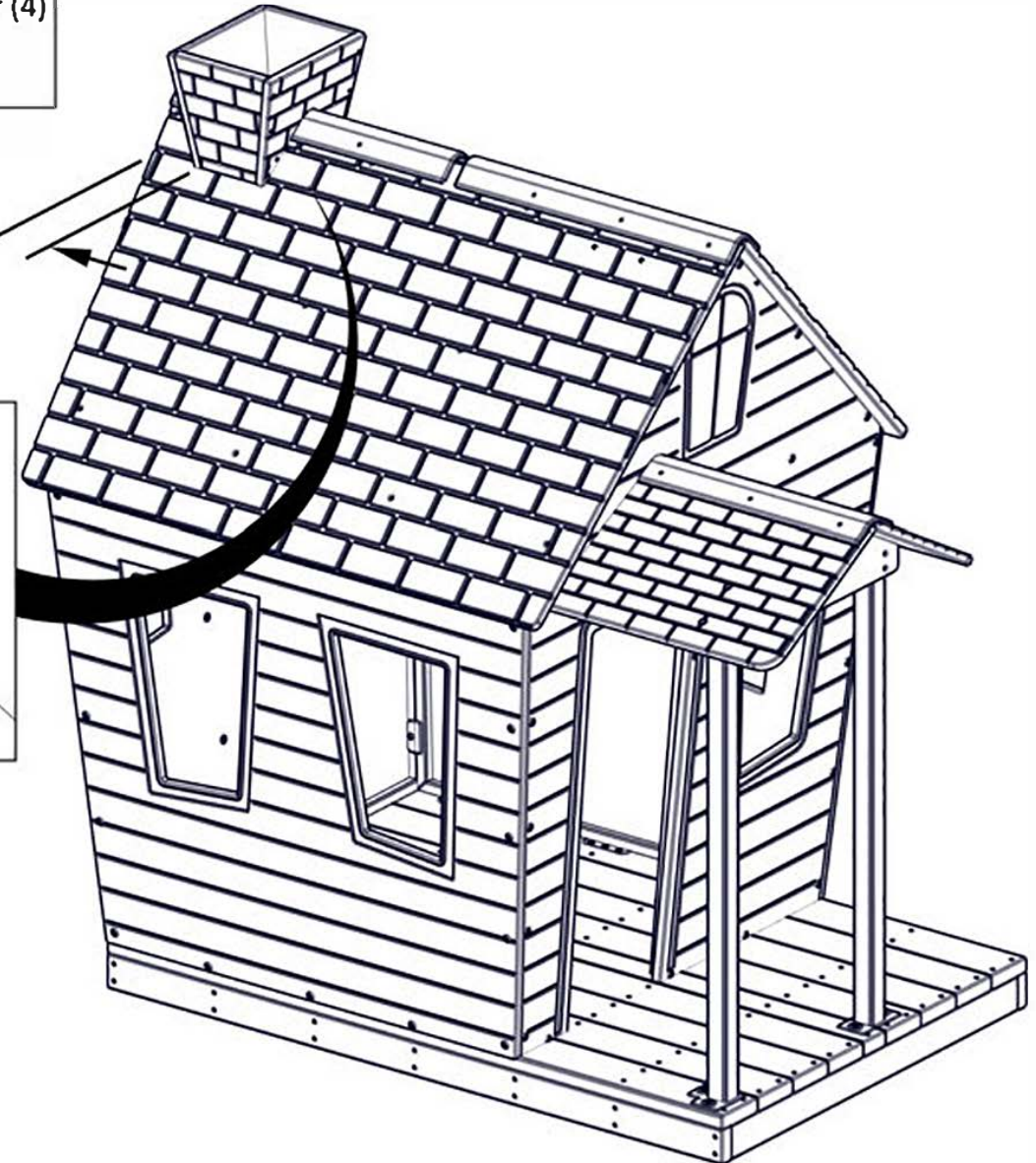
STEP 19

Mount chimney to roof panels. Place chimney assembly 4-3/8" from rear gable end of roof. From inside house, drill four (4) 3/16" pilot holes through roof panels into chimney Trex base. Secure with four (4) 1/4" x 1-1/2" RSS. See Detail 19-1.

4-3/8"

Detail 19-1

Drill 3/16" Pilot Holes
Secure With
1/4" x 1-1/2" RSS
Typ. 4



STEP 20

Check all connections and ensure structure is stable.
Installation is complete.
Place one (1) Age Appropriate Sticker
on structure in a clearly visible location.

