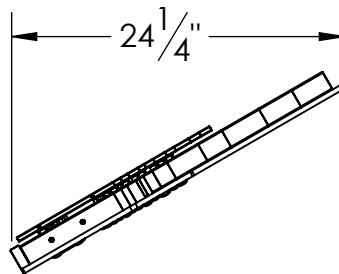
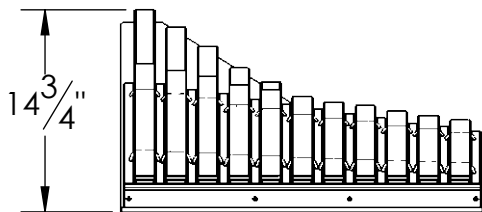
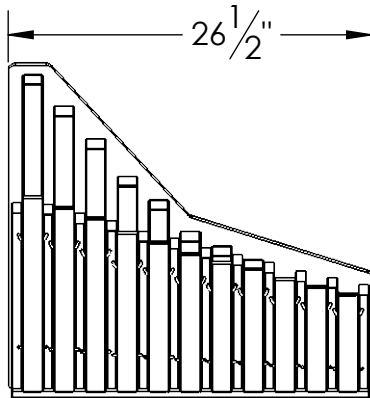
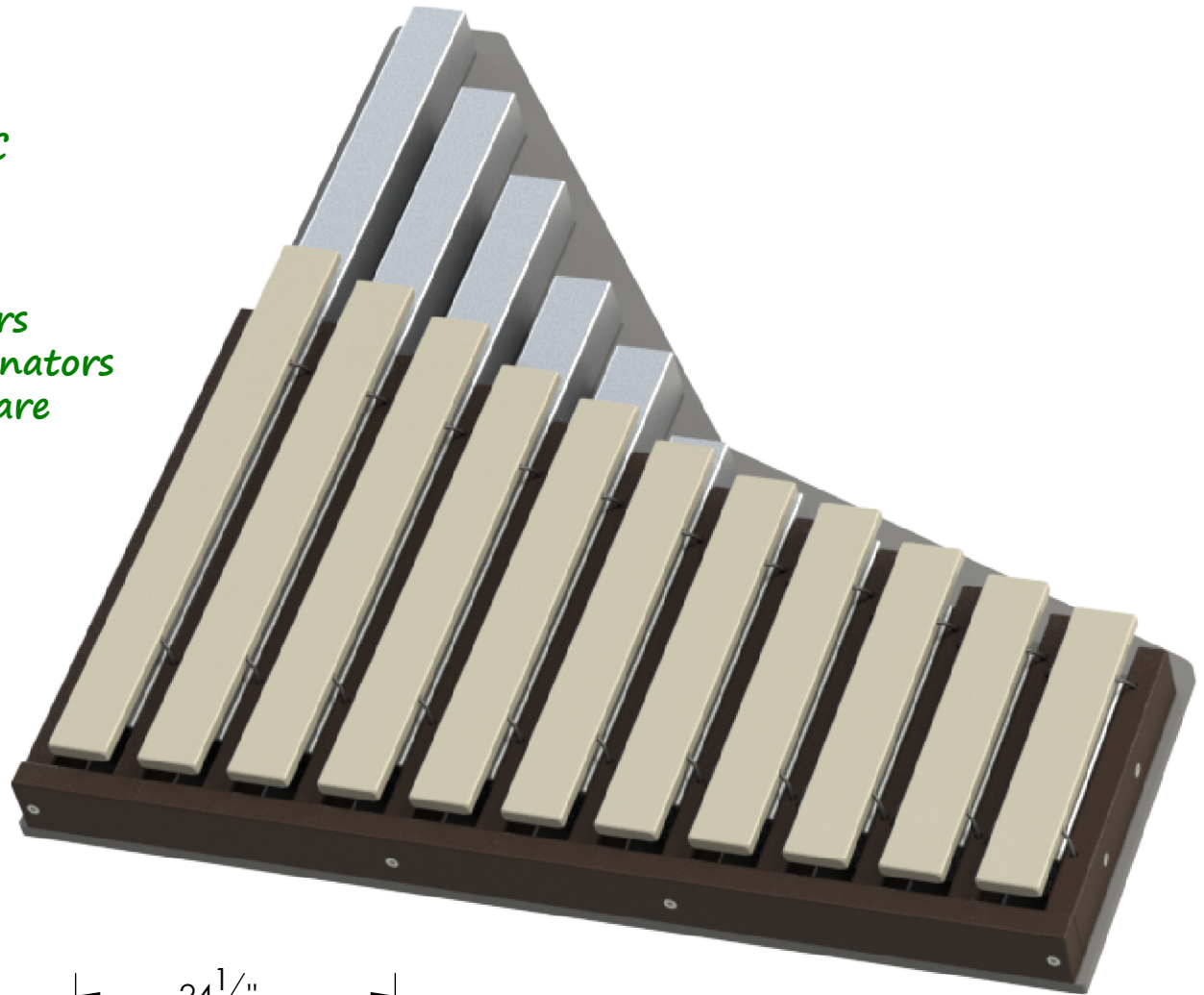


Piper

C MAJOR PENTATONIC

Features:

- HDPE Frame
- Coated Fiberglass Bars
- Anodized Aluminum Resonators
- Stainless Steel Hardware



MOUNTING OPTION IDENTIFICATION:

This instrument is offered with various mounting options. Identify your option below and follow installation instructions on the following sheets.

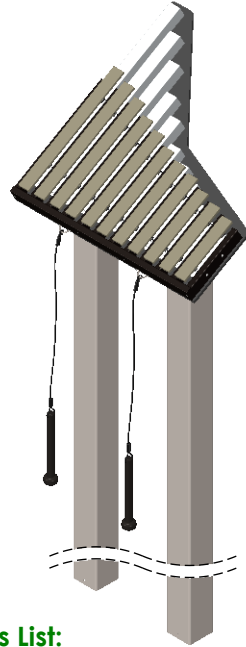
Recycled Post In-Ground Sheet 4 of 6



- Parts List:**
- Instrument Assembly (1)
 - Recycled Post In-Ground (2)
 - 1 1/4" Tamper-Resistant Screw (10)
 - Security Driver (1)
 - Dual Drive #2 Screw (8)
 - Holster (2)

Weights:
Boxed Instrument Weight, 33 lbs.
Boxed Post Weight, 57 lbs.

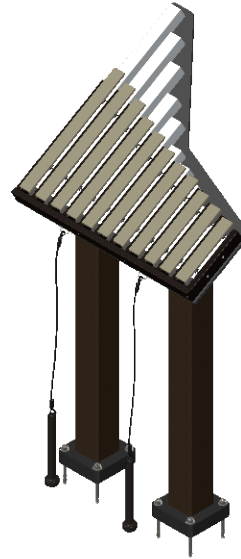
Steel Post In-Ground Sheet 4 of 6



- Parts List:**
- Instrument Assembly (1)
 - Steel Post In-Ground (2)
 - 1" Tamper-Resistant Screw (10)
 - 10-24 Tap (1)
 - 11/64" Drill Bit (1)
 - Security Driver (1)
 - Dual Drive #2 Screw (8)
 - Holster (2)

Weights:
Boxed Instrument Weight, 33 lbs.
Boxed Post Weight, 72 lbs.

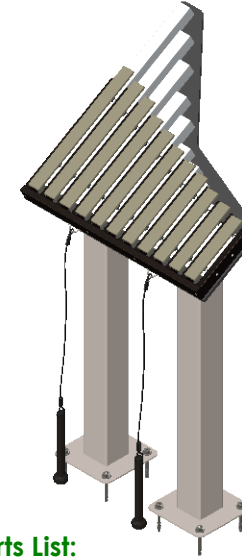
Recycled Post Surface Mount Sheet 5 of 6



- Parts List:**
- Instrument Assembly (1)
 - Recycled Post Surface Mount (2)
 - 1 1/4" Tamper-Resistant Screw (10)
 - Security Driver (1)
 - Ø 3/8" x 5" Anchor Bolt (8)
 - Plastic Anchor Cap (8)
 - Dual Drive #2 Screw (8)
 - Holster (2)

Weights:
Boxed Instrument Weight, 33 lbs.
Boxed Post Weight, 35 lbs.

Steel Post Surface Mount Sheet 5 of 6



- Parts List:**
- Instrument Assembly (1)
 - Steel Post Surface Mount (2)
 - 1" Tamper-Resistant Screw (10)
 - 10-24 Tap (1)
 - 11/64" Drill Bit (1)
 - Security Driver (1)
 - Ø 3/8" x 3 3/4" Anchor Bolt (8)
 - Plastic Anchor Cap (8)
 - Dual Drive #2 Screw (8)
 - Holster (2)

Weights:
Boxed Instrument Weight, 33 lbs.
Boxed Post Weight, 40 lbs.

Recycled Post Portable Sheet 6 of 6



- Parts List:**
- Instrument Assembly (1)
 - Recycled Post Portable (2)
 - 1 1/4" Tamper-Resistant Screw (10)
 - Security Driver (1)
 - Ø 3/8" x 12" Stake (4)
 - Dual Drive #2 Screw (8)
 - Holster (2)

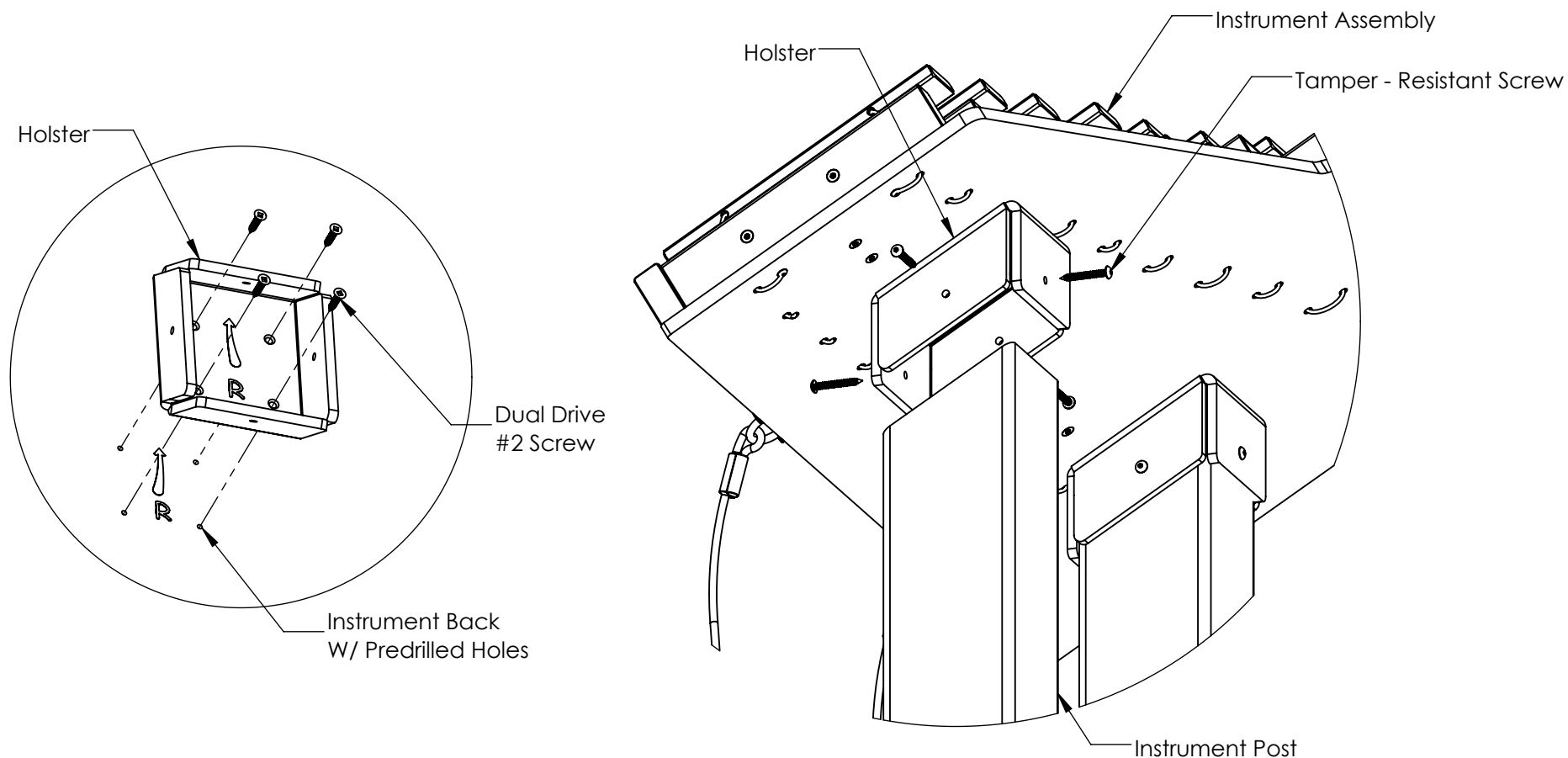
Weights:
Boxed Instrument Weight, 33 lbs.
Boxed Post Weight, 45 lbs.

HOLSTER AND INSTRUMENT TO POST INSTALLATION PROCEDURES

Step 1: Align Holsters to the instrument back with the corresponding arrows and letters. Fasten Holster to back with the provided dual drive screws. Backs are predrilled. Screw heads should be flush with the Holster surface when properly installed. Holster must also be flush along the back. An extended square drive or Phillips will be needed. Drive screws in slowly to prevent stripping.

Step 2: (Recycled Post Only) With two people, situate the instrument onto the posts. Predrill 1/8" pilot holes into the posts through the existing holes on the instrument holster. Fasten the instrument to the posts with the provided 1 1/4" tamper-resistant screws and security driver.

(Steel Post Only) With two people, situate the instrument onto the posts. Predrill 11/64" pilot holes into the posts through the existing holes on the instrument holster. Next tap the holes with the provided 10-24 Tap, the Tap may be used with a cordless drill. Last fasten the instrument to the posts with the provided 1" tamper-resistant screws and security driver.



RECYCLED AND STEEL POST IN-GROUND INSTALLATION PROCEDURES

Step 1: Excavate two 10" diameter holes, 36" deep, and 13-3/4" on center at the installation location.

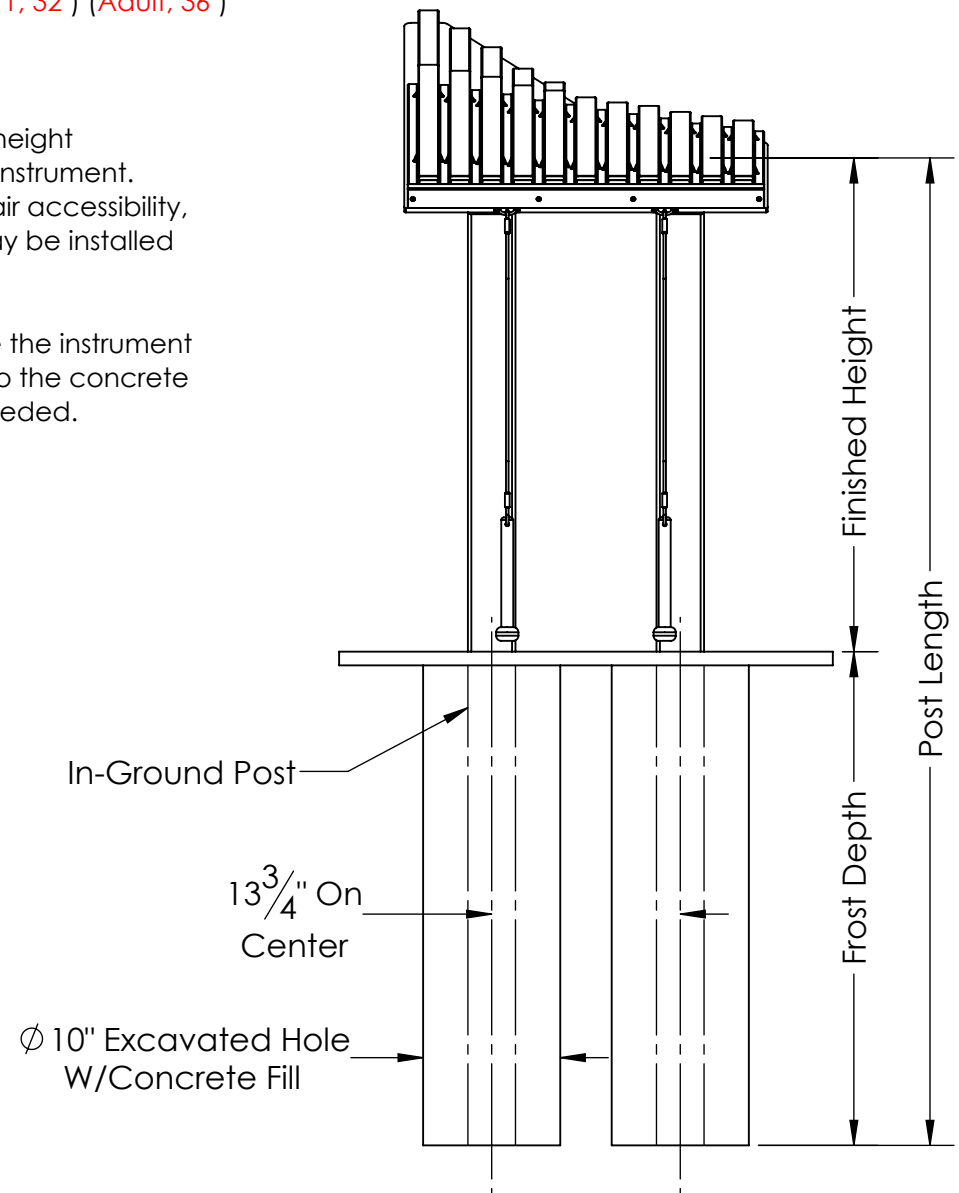
Contractor can modify post to desired height. **Post Length = Frost Depth (36" Recommended) + Finished Height**

Finished Height Guideline: (Ages 3-5, 22") (Ages 5-7, 27") (Ages 7-11, 32") (Adult, 36")

Step 2: Lower the posts into the excavated holes.

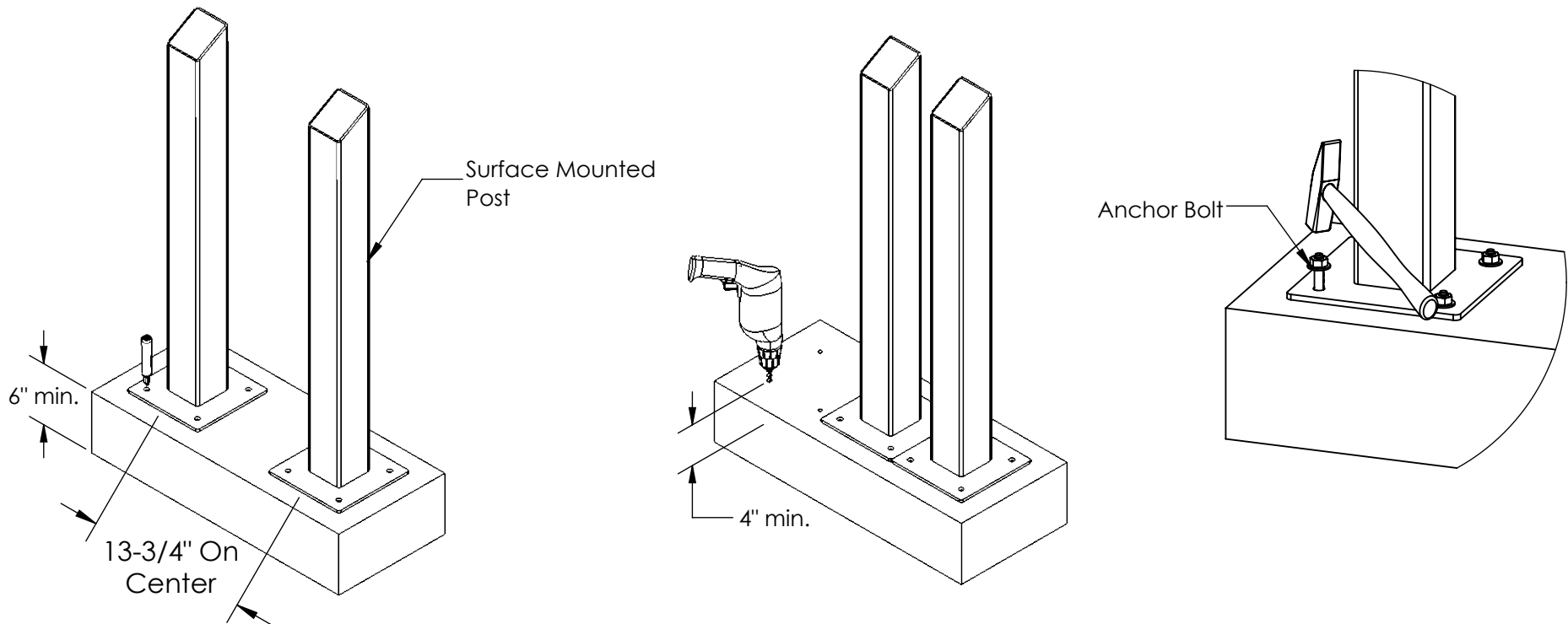
Step 3: Verify the correct placement, levelness, plumbness, and finished height of the instrument. Also check for sufficient clearance around the instrument. A 36" radius is recommended around the instrument for wheelchair accessibility, however this is not required for instrument function. Instrument may be installed next to a wall or in a variety of different configurations.

Step 4: Last pour concrete around the posts. It is recommended to brace the instrument to hold it rigid while the concrete cures. Leave to set according to the concrete manufacturers guidelines. Approximately (4) 80lb. bags will be needed.



RECYCLED AND STEEL POST SURFACE MOUNT INSTALLATION PROCEDURES

- Step 1:** Standard height for Surface Mount Posts is 36". Steel Post height can not be adjusted. The Recycled Posts may be modified in the field to the following heights: (Ages 3-5, 22") (Ages 5-7, 27") (Ages 7-11, 32") (Adult, 36")
- Step 2:** Determine installation location. Verify concrete footing is a minimum of 6" thick. If the concrete pad is at an angle, steel washers are required to act as shims. (Shims not provided)
- Step 3:** Stand the surface mount post upright onto the concrete pad with a 13-3/4" offset on center. Mark the center of the holes on the surface mount plates. After you have made your marks, set aside the posts in order to drill for anchor holes. With a hammer or rotary drill, drill through the concrete at marked locations. Drill to a minimum depth of 4". A 3/8" masonry drill bit will be needed.
- Step 4:** Place the surface mounted posts back over the drilled out holes. Insert provided anchor bolts into aligned holes. Position anchor nut so that it is flush with the top of the bolt. Pound anchor bolts into the hole until the anchor washer is flush with the post base. Tighten anchor bolts until they are snug. Cover remaining bolt sections with provided plastic caps.
- Step 5:** Verify the correct placement, levelness, plumbness, and finished height of the instrument. Also check for sufficient clearance around instrument.



RECYCLED POST PORTABLE INSTALLATION PROCEDURES

Step 1: With Holsters installed onto the Instrument place the Portable Posts to a 13-3/4" offset on center.

Step 2: Place the Instrument Assembly onto the Portable Posts. Verify correct placement, levelness, and plumbness of posts.

Step 3: Refer to sheet 3 for installation of instrument to posts.

Step 4: Install the Portable Posts Brace 6" below the backside of the Holsters. Fasten down using the provided T25 2" Screws.

Step 5: Screw heads should be flush with the outer surface of the Brace when properly installed. Drive screws in slowly to prevent stripping.

Step 6: \varnothing 3/8" x 12" Stakes are provided and can be installed through the feet of the Portable Posts to prevent Instrument from moving around during use.

