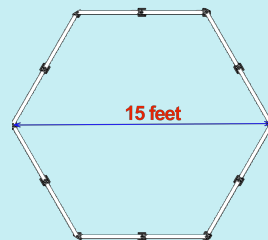




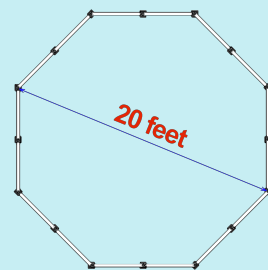
Action Play Systems, LLC
 18535 Old Statesville Rd.
 Suite C
 Cornelius, NC 28031
 Toll Free: 855-752-9277 (PLAYAPS)
 Fax: 704-439-4566
 Email: info@actionplaysystems.com
www.actionplaysystems.com

INSTALLATION INSTRUCTIONS

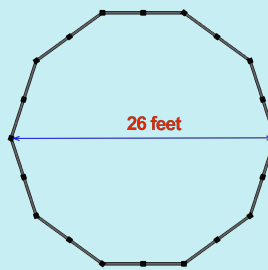
APS GaGa Pits (all sizes)



APS-GaGaPit 15
 (24) 100-border12"
 & (12) 100-GaGa
 Stanchion



APS-GaGaPit 20
 (32) 100-border12"
 & (16) 100-GaGa
 Stanchion



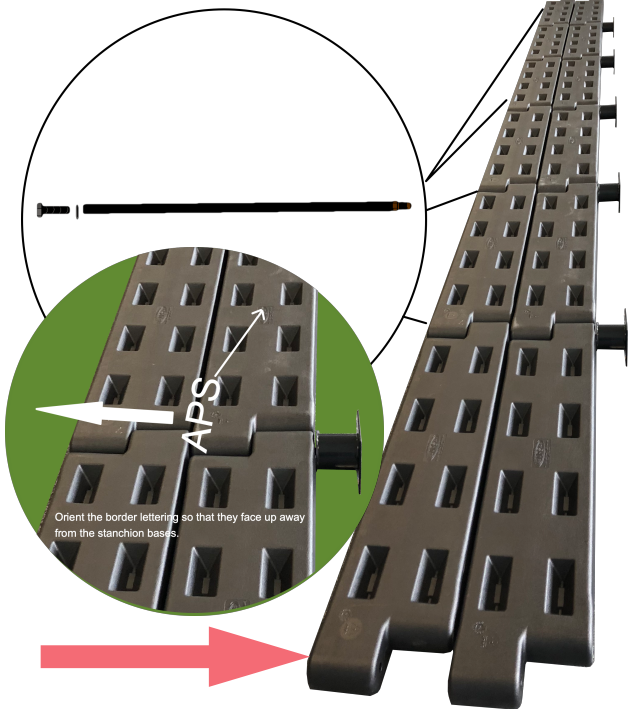
APS-GaGaPit 26
 (40) 100-border12"
 & (20) 100-GaGa
 Stanchion

<p>1</p> <p>ASSEMBLE BORDERS</p>	<p>2</p> <p>TIGHTEN STANCHIONS</p>	<p>3</p> <p>ORIENT WALL</p>	<p>4</p> <p>INSTALL GATE</p>
--	--	---	--

1

Assemble Borders

1. Check shipment contents against BOM. Hardware BOM on next page. Your shipment comes with a ADA Gate kit (PN 100-GaGa- ADAGateKit)
2. Lay borders on the ground and insert the bolt, washer and stanchion rod from one end and attach to the stanchion base at the other end. It is significantly easier to assemble on the ground than vertically. **Orient letters up.**
3. Leave the two ends open, without hardware (See arrow).

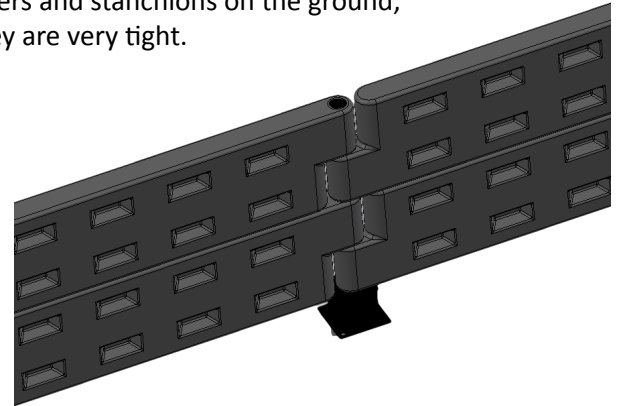


2 Tighten Stanchions

1. Once all the border segments are installed, then, with the borders and stanchions on the ground, tighten the stanchion rods using the bolts on the top until they are very tight.

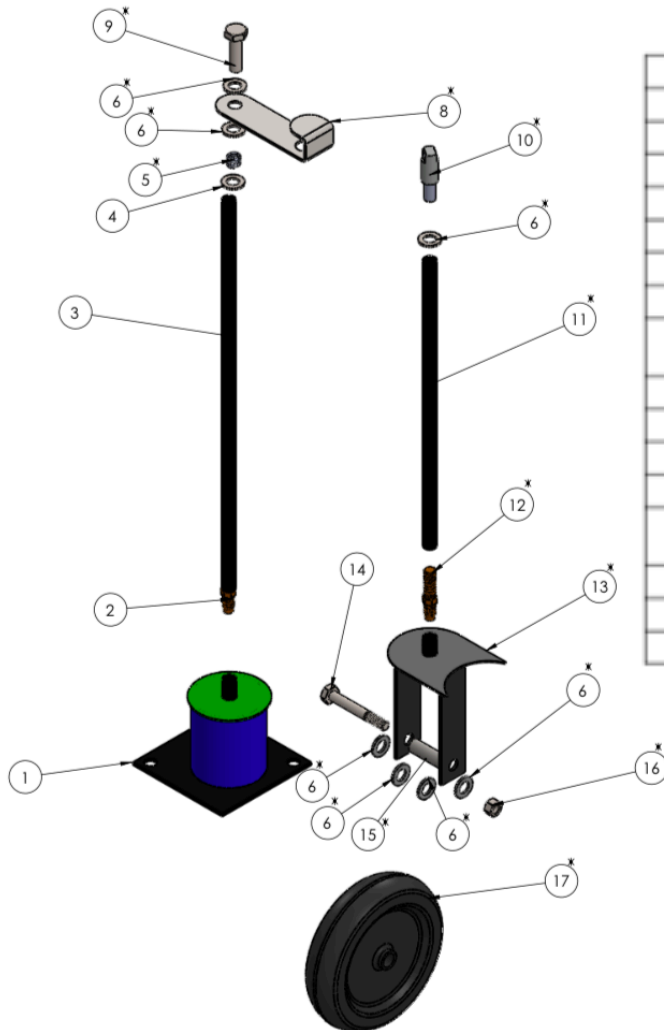
3 Orient Wall

1. Stand the border walls up vertically along with the stanchions.
2. Roughly position assembled stands in desired shape. Layout and dimensions of APS-GaGaPits of various sizes are shown on the last page, for your convenience.
3. Tighten all washer/bolts on the tops of the gaga stanchions.
4. If you have a ADA Gate, then you should have two open ends.



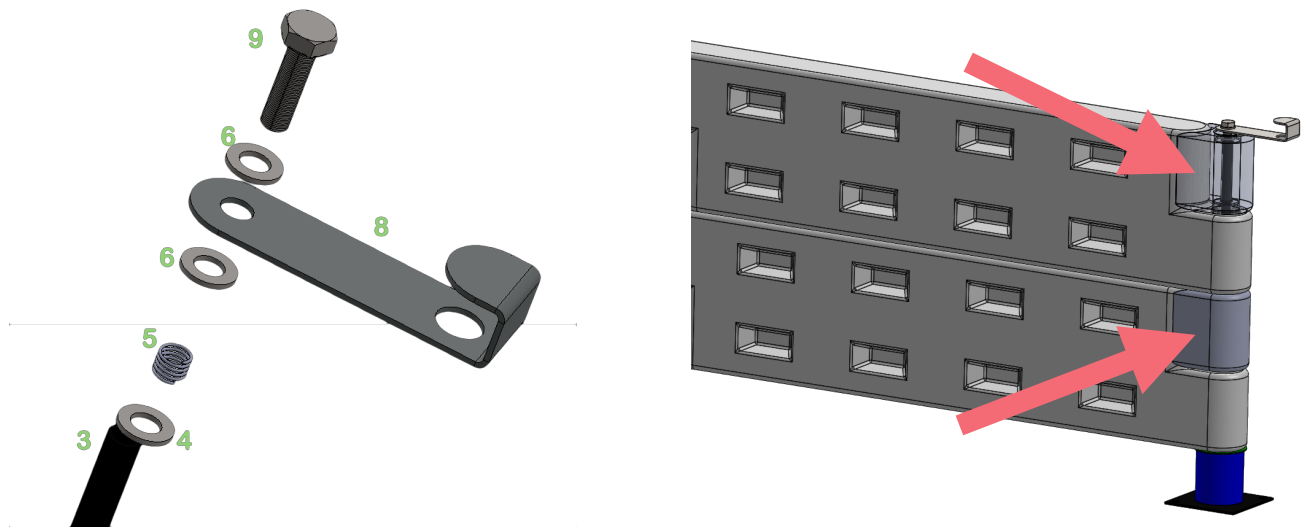
4 Install Gate

1. Gate Kit BOM.



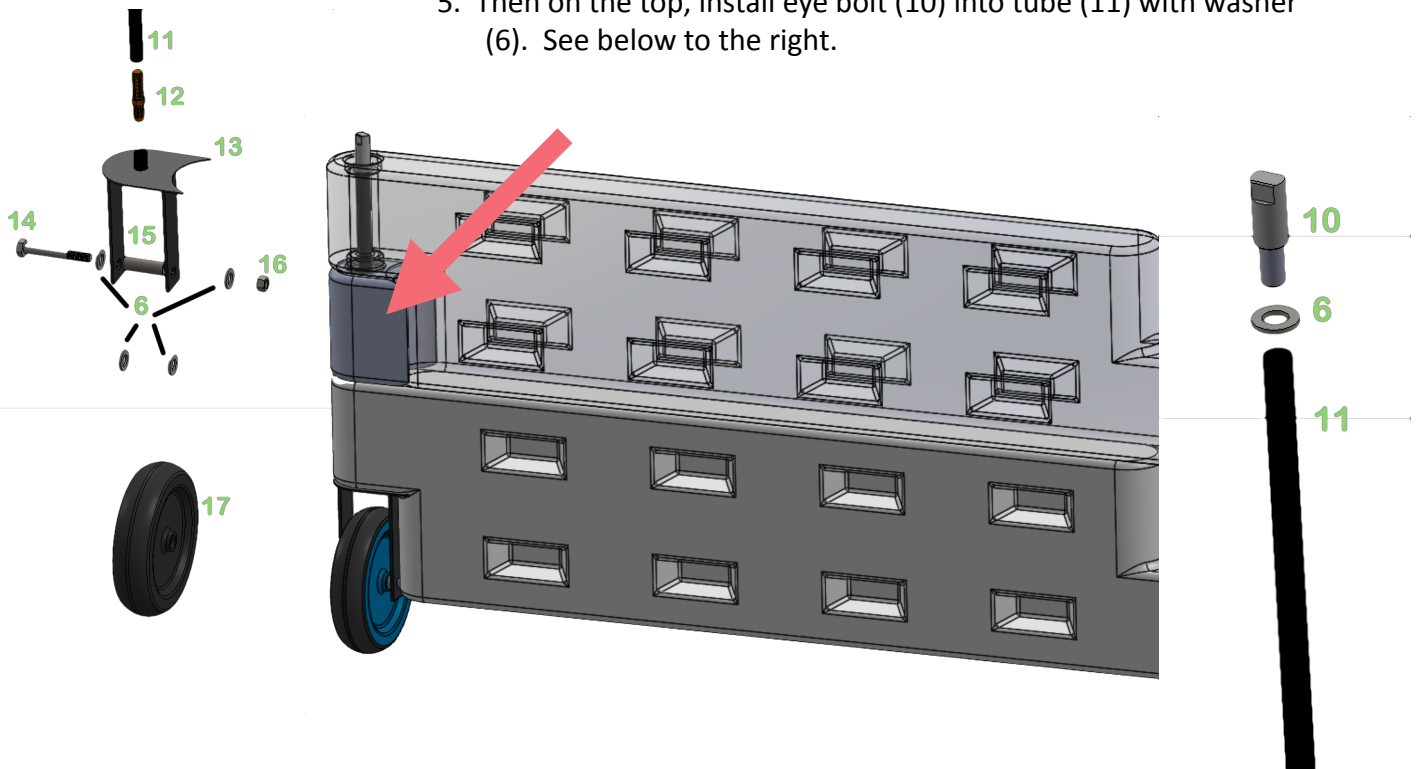
ITEM NO.	PART NUMBER	QTY.
1	GAGA BASE	1
2	STUD CIRCULAR TUBE	1
3	CIRCULAR TUBE GAGA	1
4	WASHER	1
5*	SPRING	1
6*	WASHER	7
8*	LATCH	1
9*	HEX BOLT M14x50 HALF THREADED	1
10*	LOCKING EYE BOLT	1
11*	CIRCULAR TUBE ADA LOCK	1
12*	STUD CIRCULAR TUBE	1
13*	ADA LOCK WHEEL HOLDER	1
14*	HEX BOLT M12x90L HALF THREADED	1
15*	ADA SPACER BUSH OD 17x54L	1
16*	NYLOCK NUT M12	1
17*	WHEEL 8" DIA	1

*Parts with star will be in ADA Gate Kit.

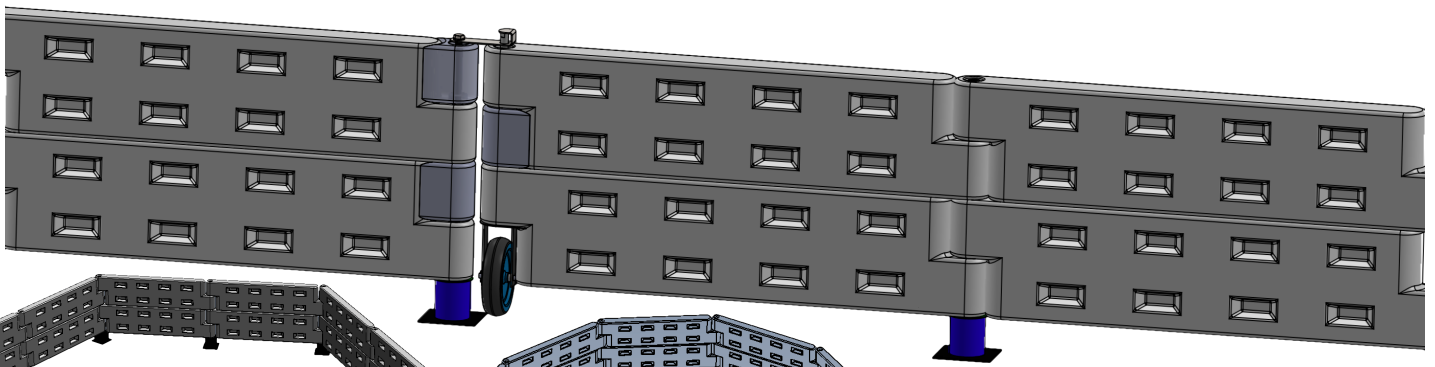


2. On one open end of the pit, install parts 1 through 9 as shown on previous page. Take base (1) and place it beneath the border. Add two end caps in the openings shown by arrows above (right). Feed the tube (3) and the stud (2) through the borders and end caps and screw it into the base (1). Then finish assembling 4 (washer from GaGa Pit box) through 9 as should in exploded view above (left).
3. After assembly, the end will look as shown on the right, above.
4. On the other open end, in place of the stanchion base, install the wheel assembly parts (11 through 17), along with four washers (6) (these are from the ADA Gate kit) and one plastic end cap (not shown) in exploded view but shown with arrow below.

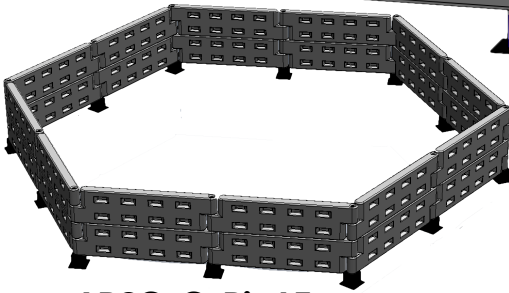
5. Then on the top, install eye bolt (10) into tube (11) with washer (6). See below to the right.



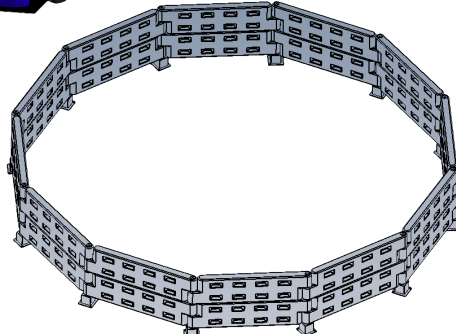
6. The assembled end will look as shown above.
7. Completely tighten all bolts until they are snug, and then turn an additional 1/2 turn.
8. If permanent installation is desired, you can secure completed stanchions with anchoring method of your choice. (Anchors are not supplied)



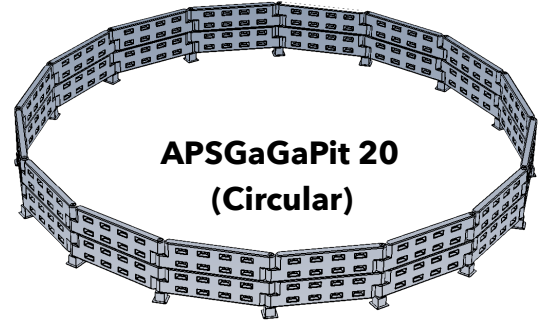
9. The finished gate assembly will look as shown above.



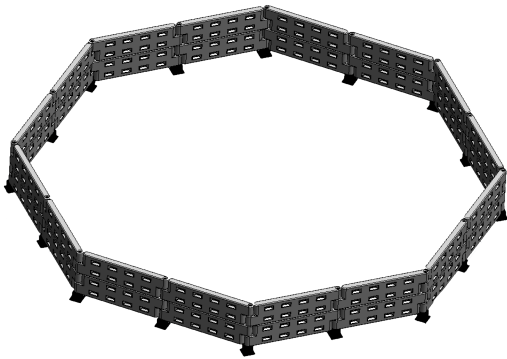
**APSTGaGaPit 15
(Hexagonal)**



**APSTGaGaPit 15
(Circular)**

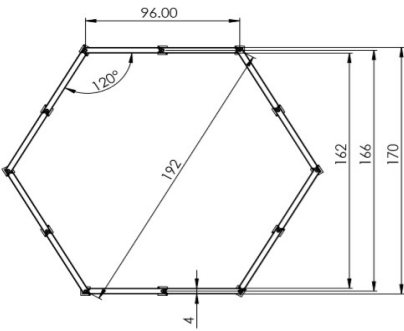


**APSTGaGaPit 20
(Circular)**

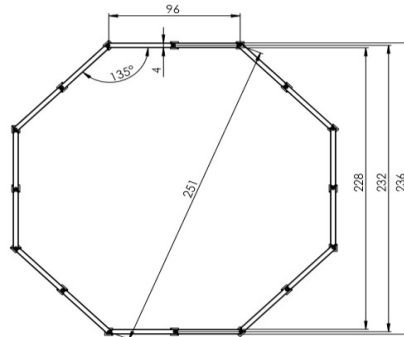


**APSTGaGaPit 20
(Octagonal)**

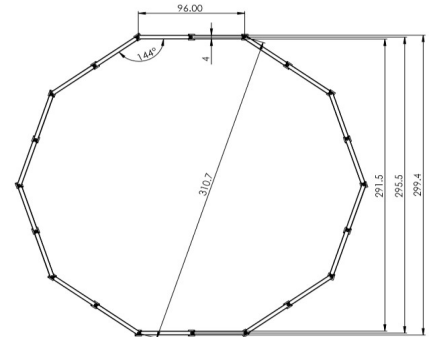
GAGA BALL PITS - DIMENSIONS



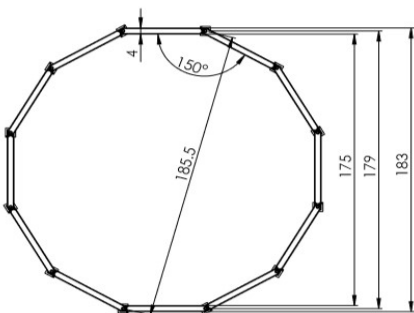
15 FEET - STRAIGHT (24 TIMBER)
ACROSS FLAT (PIVOT TO PIVOT): 13' 10"
ACROSS FLAT INSIDE DIMENSION: 13' 6"
INSIDE AREA (SQ FT): **158.5**



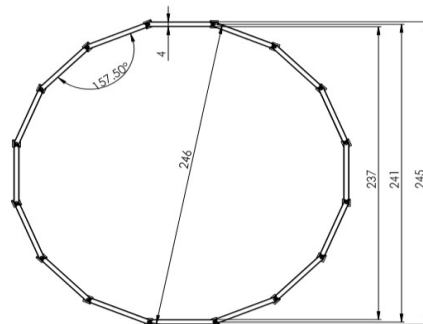
20 FEET - STRAIGHT (32 TIMBER)
ACROSS FLAT (PIVOT TO PIVOT): 19' 4"
ACROSS FLAT INSIDE DIMENSION: 19' 6"
INSIDE AREA (SQ FT): **298.6**



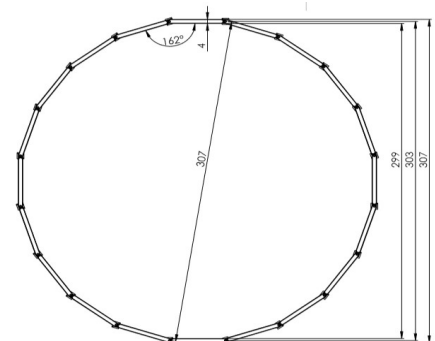
26 FEET - STRAIGHT (40 TIMBER)
ACROSS FLAT (PIVOT TO PIVOT): 24' 8"
ACROSS FLAT INSIDE DIMENSION: 24' 4"
INSIDE AREA (SQ FT): **479.4**



15 FEET - CIRCULAR (24 TIMBER)
ACROSS FLAT (PIVOT TO PIVOT): 14' 11"
ACROSS FLAT INSIDE DIMENSION: 14' 7"
INSIDE AREA (SQ FT): **171.3**



20 FEET - CIRCULAR (32 TIMBER)
ACROSS FLAT (PIVOT TO PIVOT): 20' 1"
ACROSS FLAT INSIDE DIMENSION: 19' 9"
INSIDE AREA (SQ FT): **311.3**



26 FEET - CIRCULAR (40 TIMBER)
ACROSS FLAT (PIVOT TO PIVOT): 25' 3"
ACROSS FLAT INSIDE DIMENSION: 24' 11"
INSIDE AREA (SQ FT): **492**