



UP148 SURFACE MOUNT PACKAGE FOR THE BIG OUTDOORS (USED ON MODEL #UP146)

Parts List		
DESCRIPTION	QTY	PART NUMBER
3/8" FLAT WASHER	4	817410
3/8" x 1 1/4" P.B.H.C.S. w/PATCH	2	812051
3/8" HEX NUT	2	804053
PLASTIC WASHER	2	304073
PLASTIC CAP	2	304074
3/8" x 2 3/4" WEDGE ANCHOR	4	800076
90° ANGLE BRACKET	4	403204

Unless Otherwise Specified, All Units of Measure are Each

Items listed below Hardware Complete line are included with Hardware Complete Number

Warning: During Installation, Hardware And Small Parts Are Choking Hazards For Young Children. Store Unused Parts Appropriately Until Assembly Is Completed. Once Assembly Is Completed, Remove Any Unused Parts From The Play Environment And Dispose/Save Them In A Secure Location. Any bolt end protruding more than two full threads beyond the face of the nut causes risk of clothing entanglement. Promptly cut-off flush, file smooth, and treat to prevent corrosion.

INSTALLATION INSTRUCTIONS:

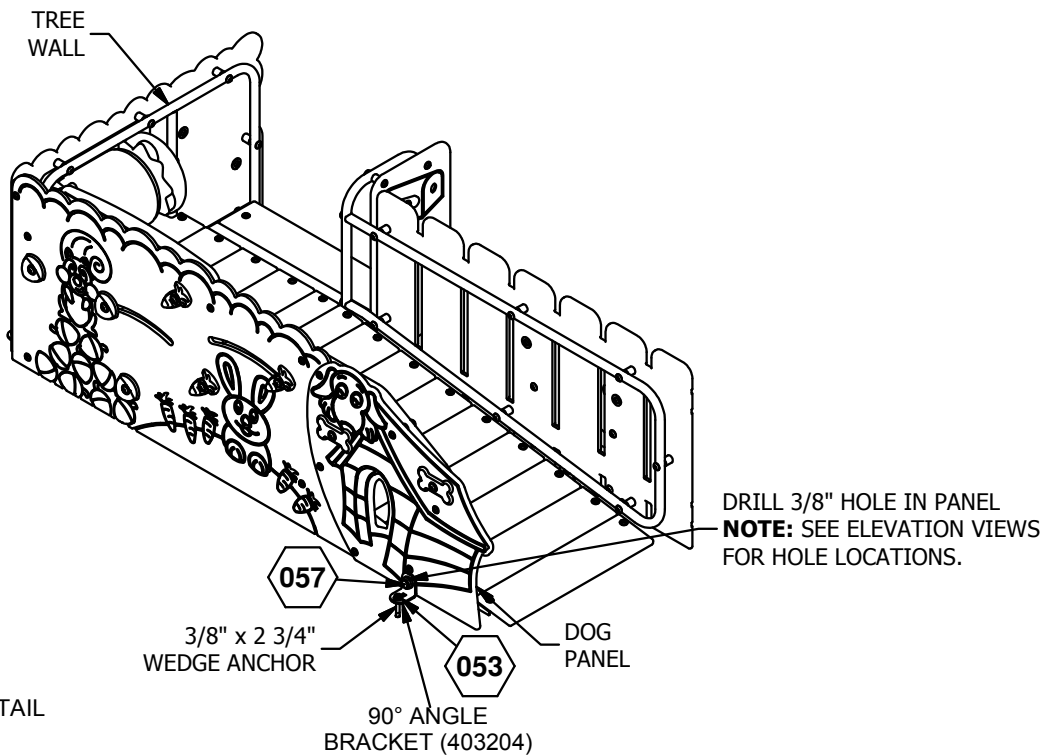
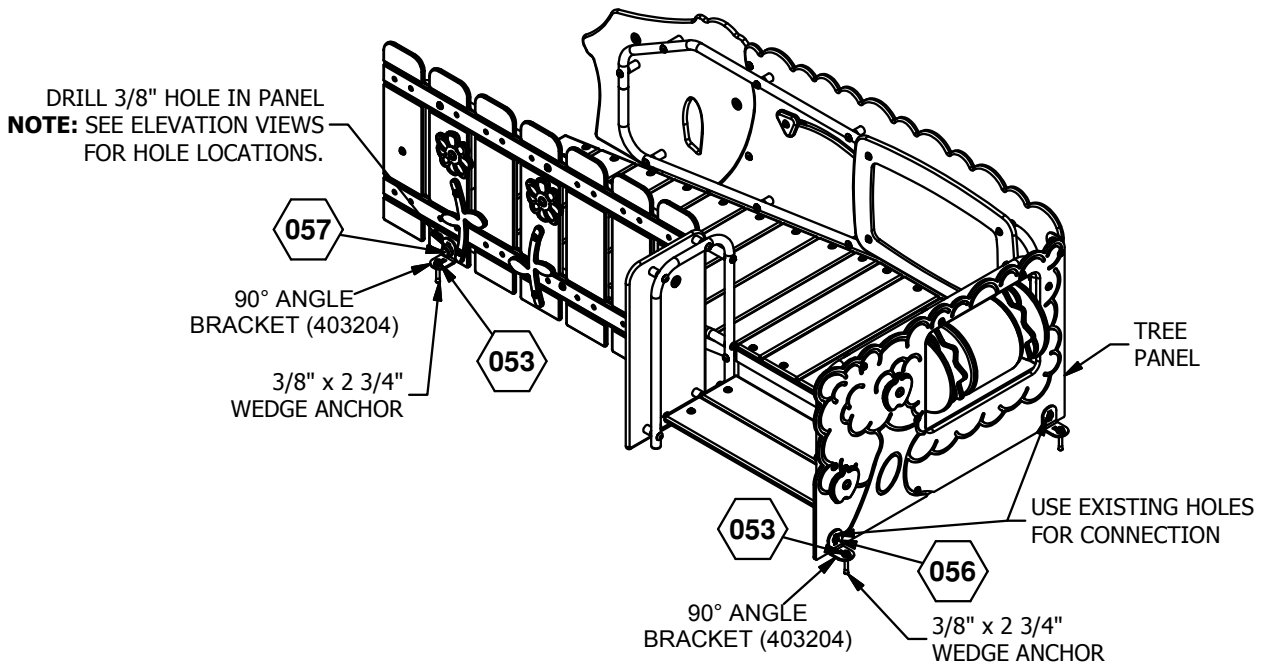
1. Attach Tree Panel, Tree Wall and 90 Angle Bracket using 3/8" x 2 1/4" P.B.H.C.S. w/Patch, 3/8" Flat Washer and 3/8" Barrel Nut. See Detail 056.
2. Drill 3/8" hole in Fence Panel as shown in Elevation View. (Use 90° Angle Bracket as template)
3. Attach 90° Angle Bracket to Fence Panel using 3/8" x 1 1/4" P.B.H.C.S. w/Patch, 3/8" Flat Washer, Plastic Washer, 3/8" Hex Nut and Plastic Cap. See Detail 057.
4. Drill 3/8" hole in Dog Panel as shown in Elevation View. (Use 90° Angle Bracket as template)
5. Attach 90 Angle Bracket to Dog Panel using 3/8" x 1 1/4" P.B.H.C.S. w/Patch, 3/8" Flat Washer, Plastic Washer, 3/8" Hex Nut and Plastic Cap. See Detail 057.
6. After Assembly is complete drill 3/8" diameter x 2" deep holes in concrete to receive Wedge Anchors.
7. Insert Wedge Anchors and secure with 7/8" O.D. Flat Washers and 3/8" Lock Nut. See Detail 053.

MAINTENANCE PROCEDURE:

Periodically check hardware for tightness, and tighten as necessary. Always check all parts for breakage or wear, and immediately put equipment out of service until any faulty parts found are repaired or replaced. Also Check all metal parts for rust, paint loss and touch-up if necessary with paint. Check for welded areas and verify integrity. Check periodically resilient surfacing for appropriate depth and remove extraneous materials that could cause injury, infection, or disease. Maintain detailed installation, inspection, maintenance, and repair records for each public-use playground equipment.



UP148 SURFACE MOUNT PACKAGE FOR THE BIG OUTDOORS (USED ON MODEL #UP146)



 = INSTALLATION DETAIL

Issued/Revised: 01/23/12

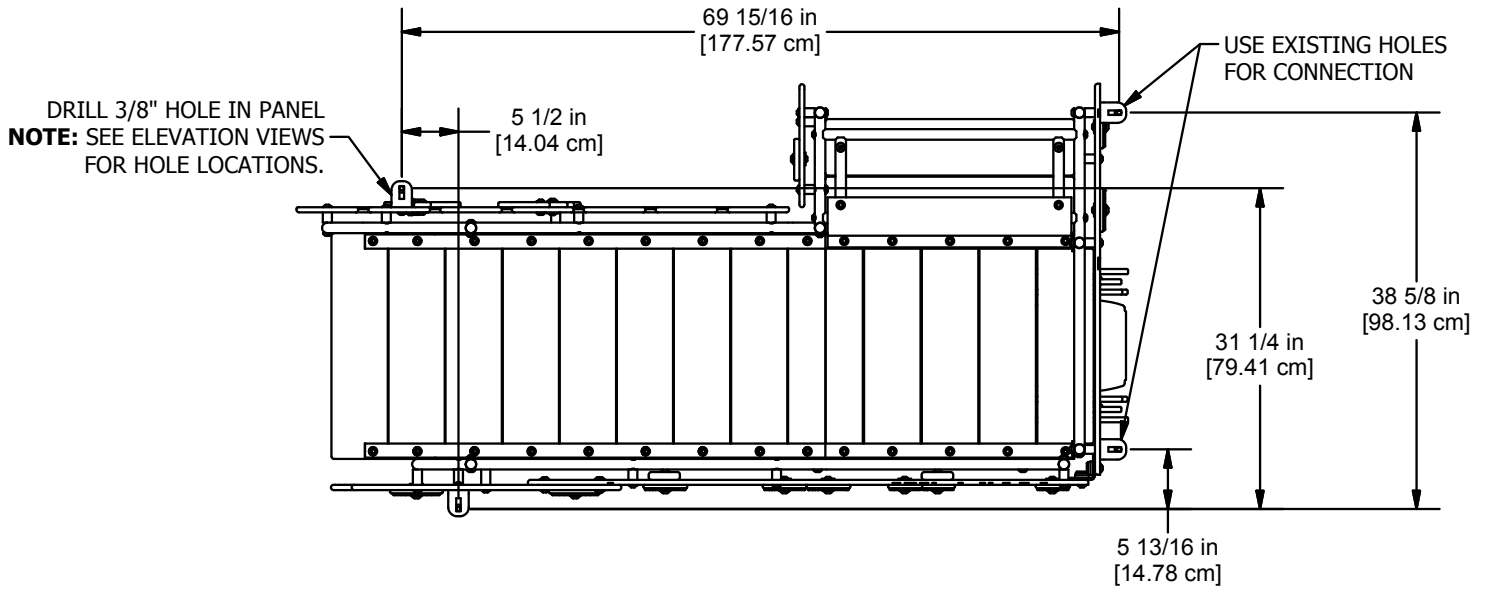
ultraPLAY
A PLAYCORE Company

800.458.5872

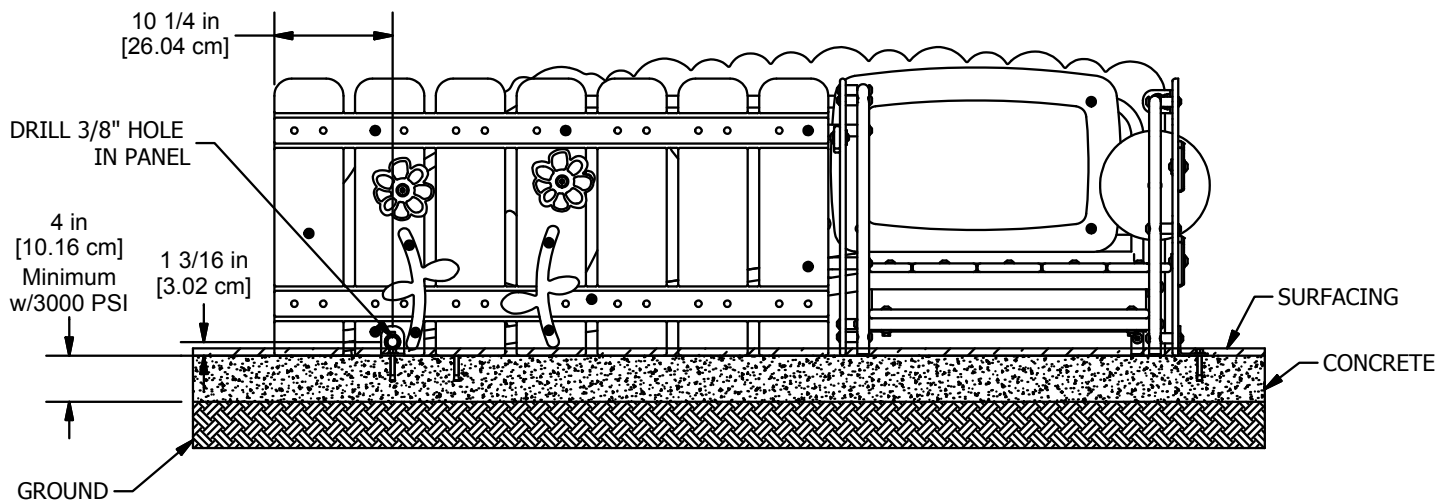
www.ultraplay.com

2

UP148 SURFACE MOUNT PACKAGE FOR THE BIG OUTDOORS (USED ON MODEL #UP146)



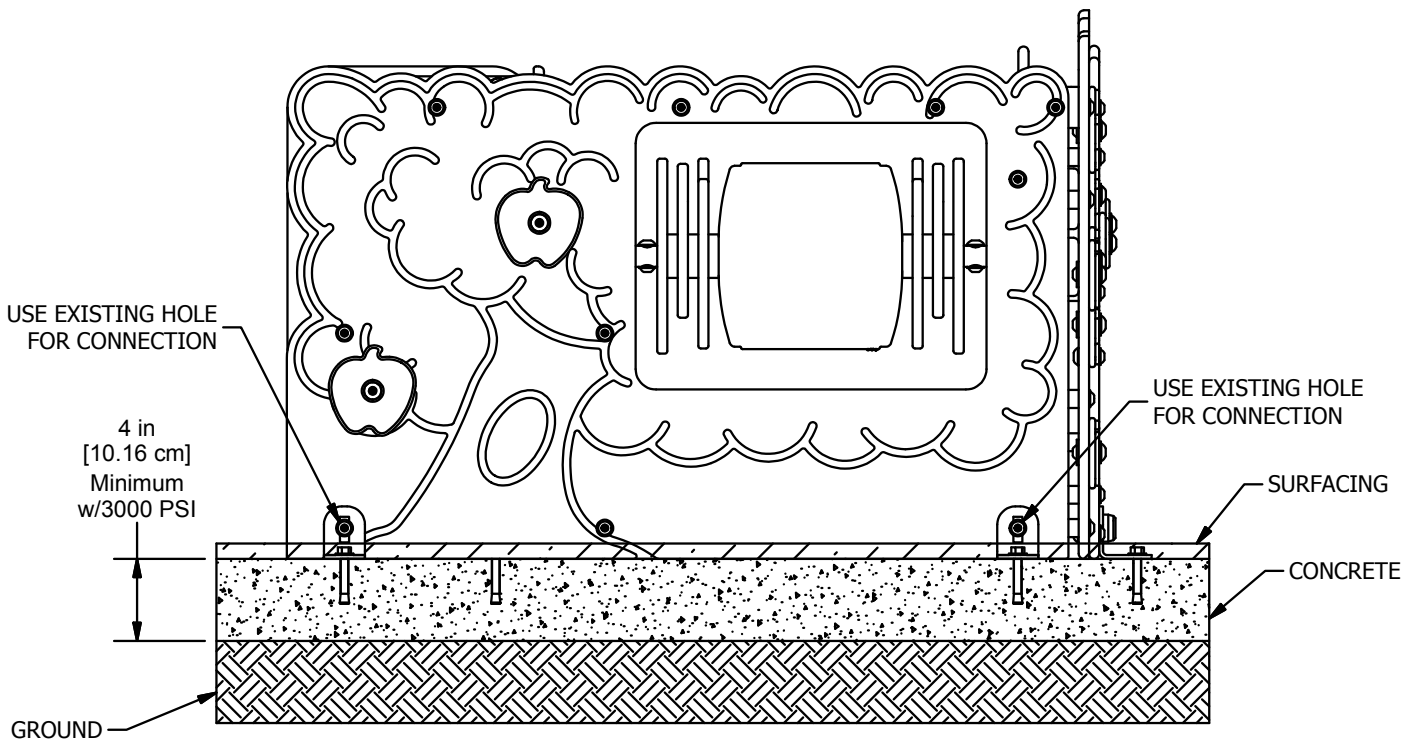
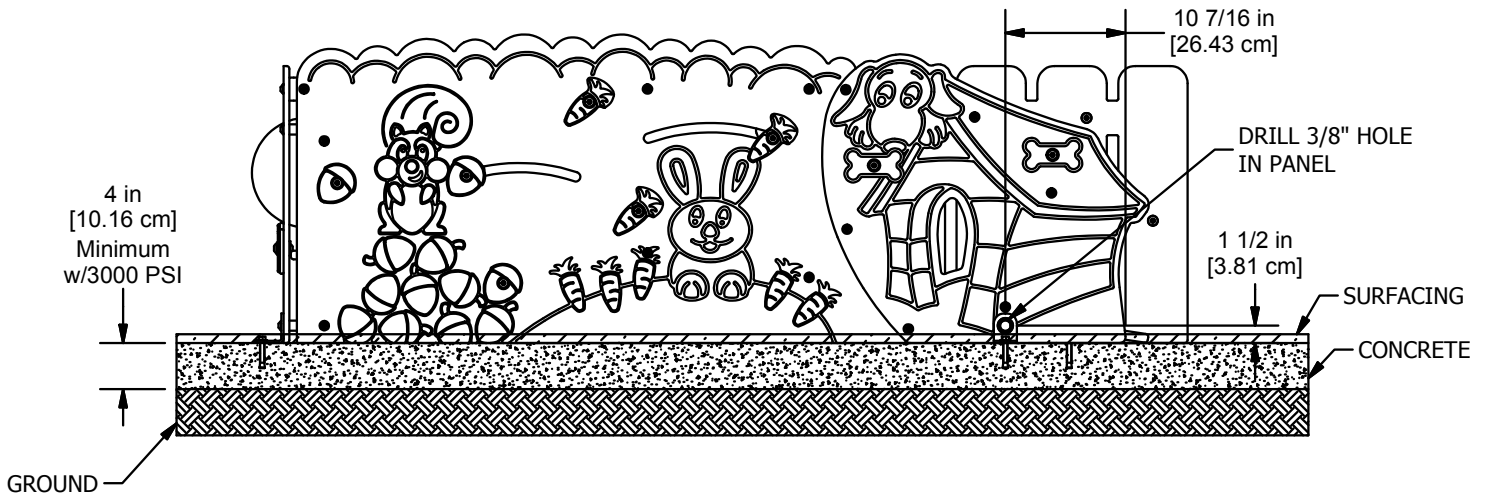
BOTTOM VIEW



ELEVATION VIEW

Issued/Revised: 01/23/12

UP148 SURFACE MOUNT PACKAGE FOR THE BIG OUTDOORS (USED ON MODEL #UP146)

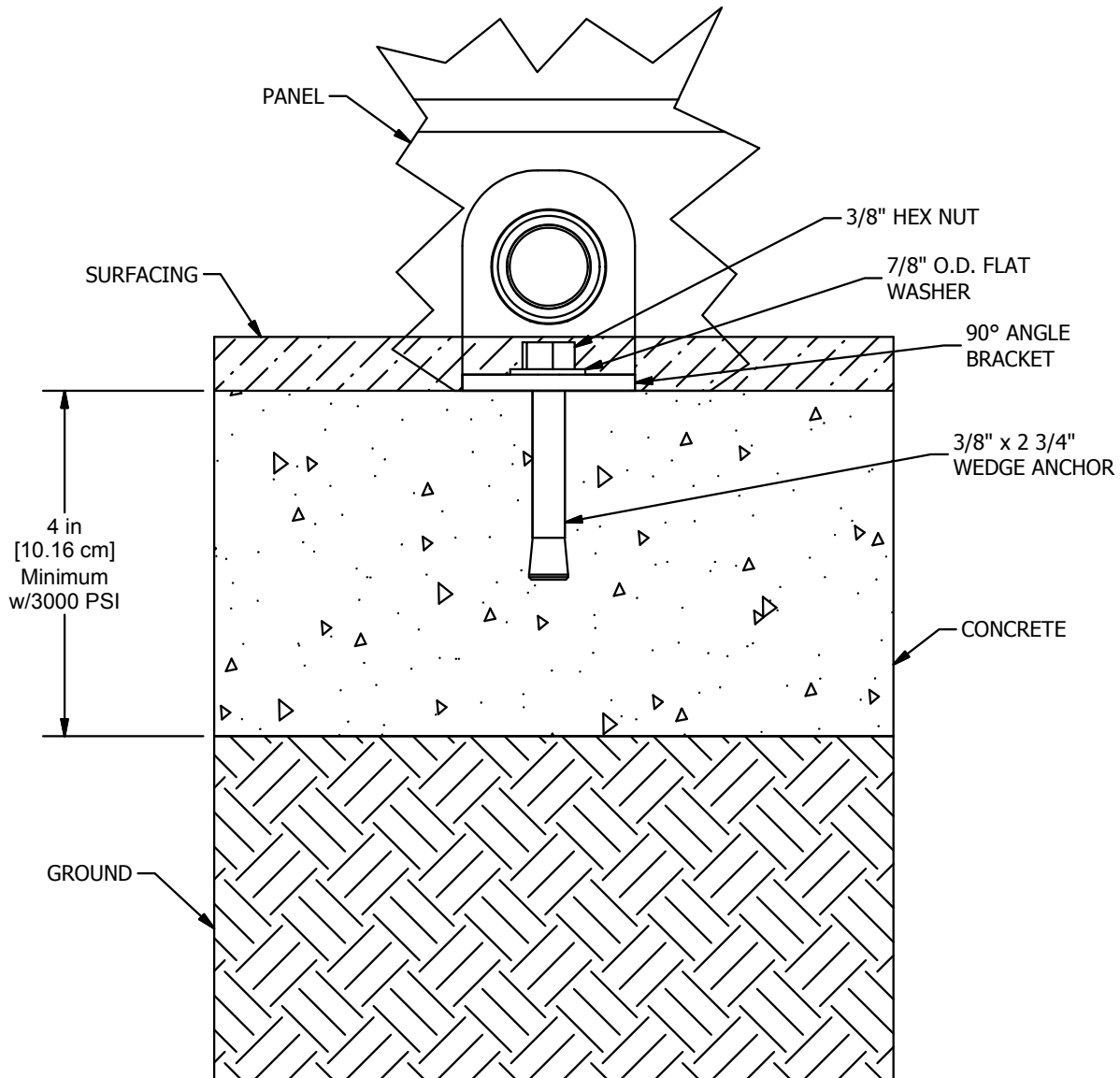


ELEVATION VIEW

Issued/Revised: 01/23/12

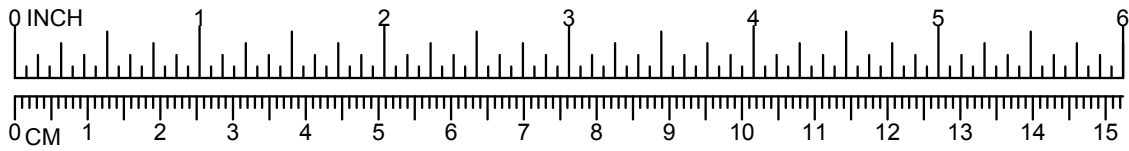


UP148 SURFACE MOUNT PACKAGE FOR THE BIG OUTDOORS (USED ON MODEL #UP146)

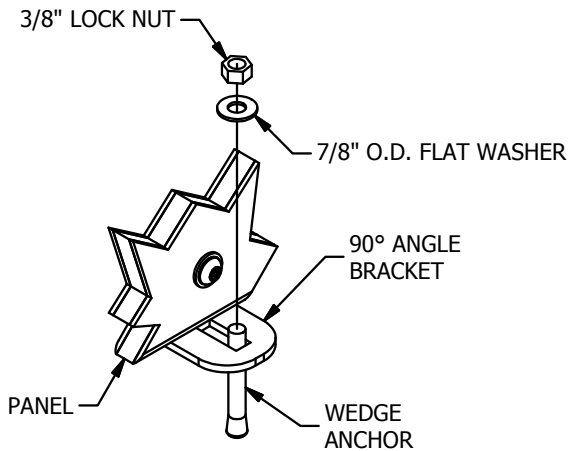


NOTE: Illustration depicts 90° Angle Bracket and 3/8" x 2 3/4" Wedge Anchor

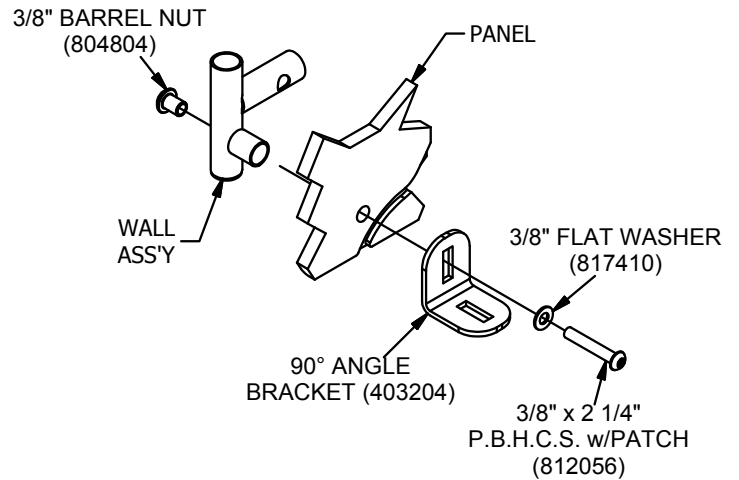
IMPORTANT: Never install play equipment over hard, unresilient surfaces such as asphalt, concrete, or compacted earth. It is the owner's responsibility to ensure the "minimum area required" contains an appropriate amount of resilient material to cushion accidental falls.



UP148 SURFACE MOUNT PACKAGE FOR THE BIG OUTDOORS (USED ON MODEL #UP146)

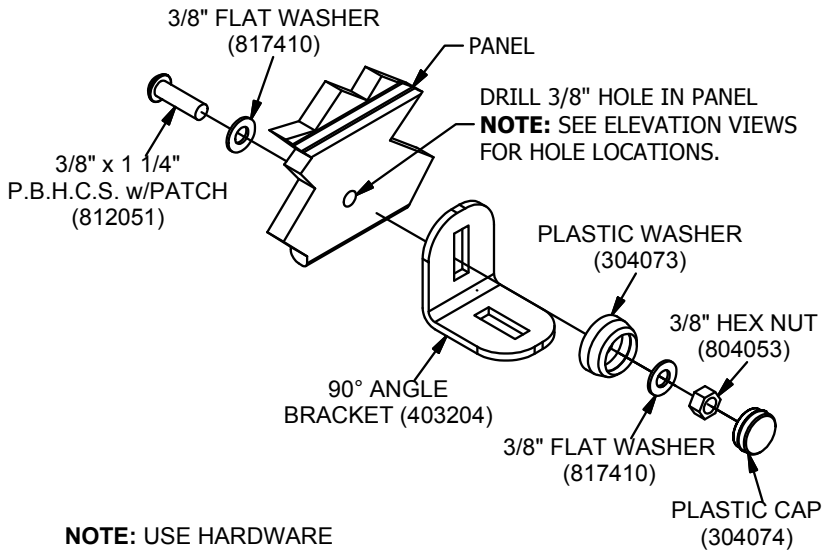


053



056

NOTE: USE EXISTING HARDWARE FROM UP146.



NOTE: USE HARDWARE INCLUDED IN UP148.

057