



UP147 - IN-GROUND PACKAGE FOR THE BIG OUTDOORS (USED ON MODEL #UP146)

| Parts List | | |
|--------------|-----|-------------|
| DESCRIPTION | QTY | PART NUMBER |
| SUPPORT PIPE | 5 | 403202 |

Unless Otherwise Specified, All Units of Measure are Each

Items listed below Hardware Complete line are included with Hardware Complete Number

Warning: During Installation, Hardware And Small Parts Are Choking Hazards For Young Children. Store Unused Parts Appropriately Until Assembly Is Completed. Once Assembly Is Completed, Remove Any Unused Parts From The Play Environment And Dispose/Save Them In A Secure Location. Any bolt end protruding more than two full threads beyond the face of the nut causes risk of clothing entanglement. Promptly cut-off flush, file smooth, and treat to prevent corrosion.

INSTALLATION INSTRUCTIONS:

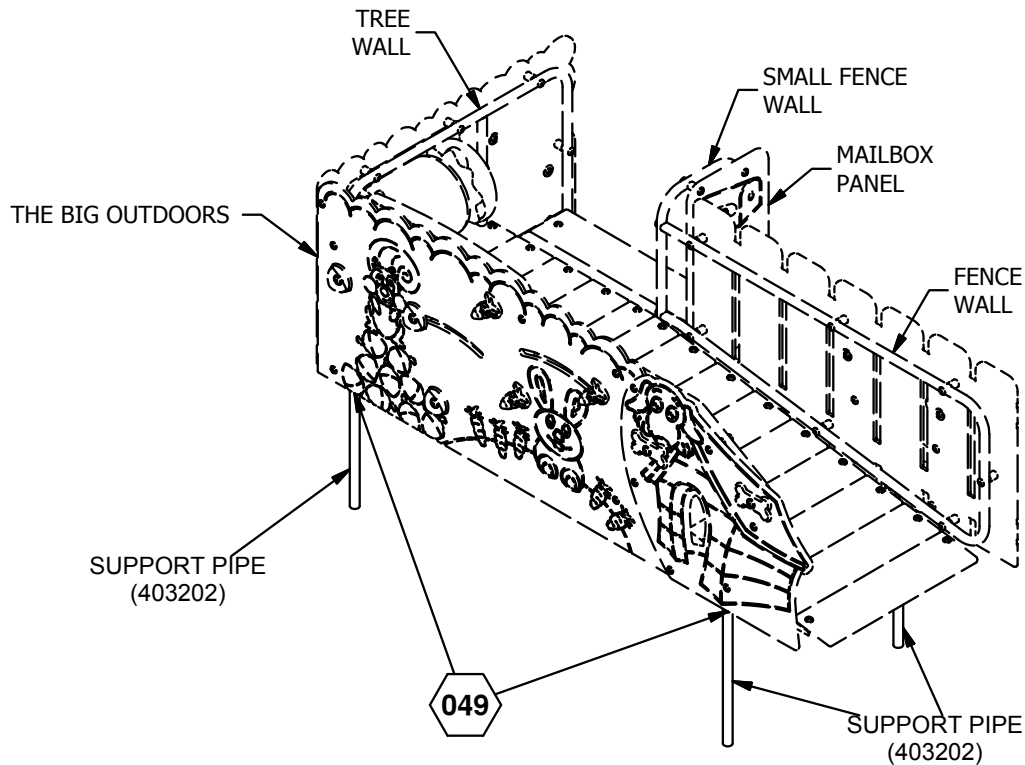
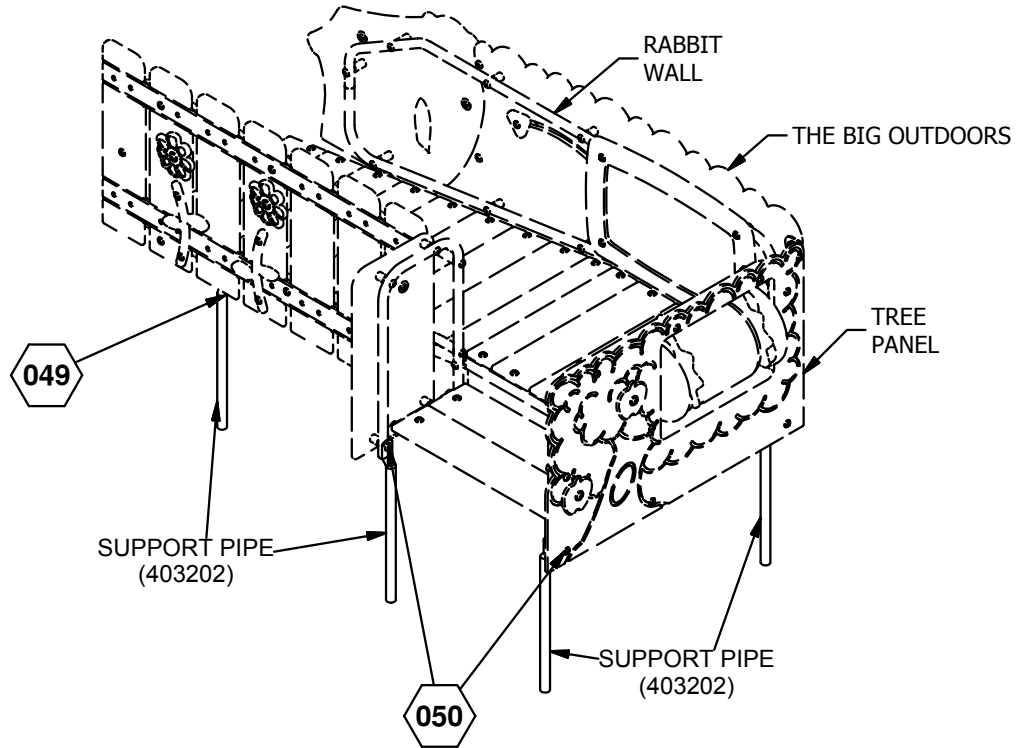
UP147

1. Dig footing holes as shown in Bottom & Elevation Views. **Note:** Site must be level and clean of debris.
2. Attach Fence Wall, Support Pipe, and Ramp Support using 3/8" x 1" P.B.H.C.S. w/Patch, 3/8" Flat Washer, and 3/8" Barrel Nut. See detail 049.
2. Attach Rabbit Wall, Support Pipe, and Ramp Support using 3/8" x 1" P.B.H.C.S. w/Patch, 3/8" Flat Washer, and 3/8" Barrel Nut. See detail 049.
3. Attach Mailbox Panel, Small Fence Wall, and Support Pipe using 3/8" x 2 1/4" P.B.H.C.S. w/Patch, 3/8" Flat Washer, and 3/8" Barrel Nut. See detail 050.
4. Attach Tree Panel, Tree Wall, and Support Pipe using 3/8" x 2 1/4" P.B.H.C.S. w/Patch, 3/8" Flat Washer, and 3/8" Barrel Nut. See detail 050.
5. Plumb & level the entire assembly and tighten all fasteners.
6. Pour concrete footing with 4" to the top and taper away from posts for water drainage. Allow to cure at least 48 hours before use. **Note:** Temporary bracing may be required until concrete cures.

MAINTENANCE PROCEDURE:

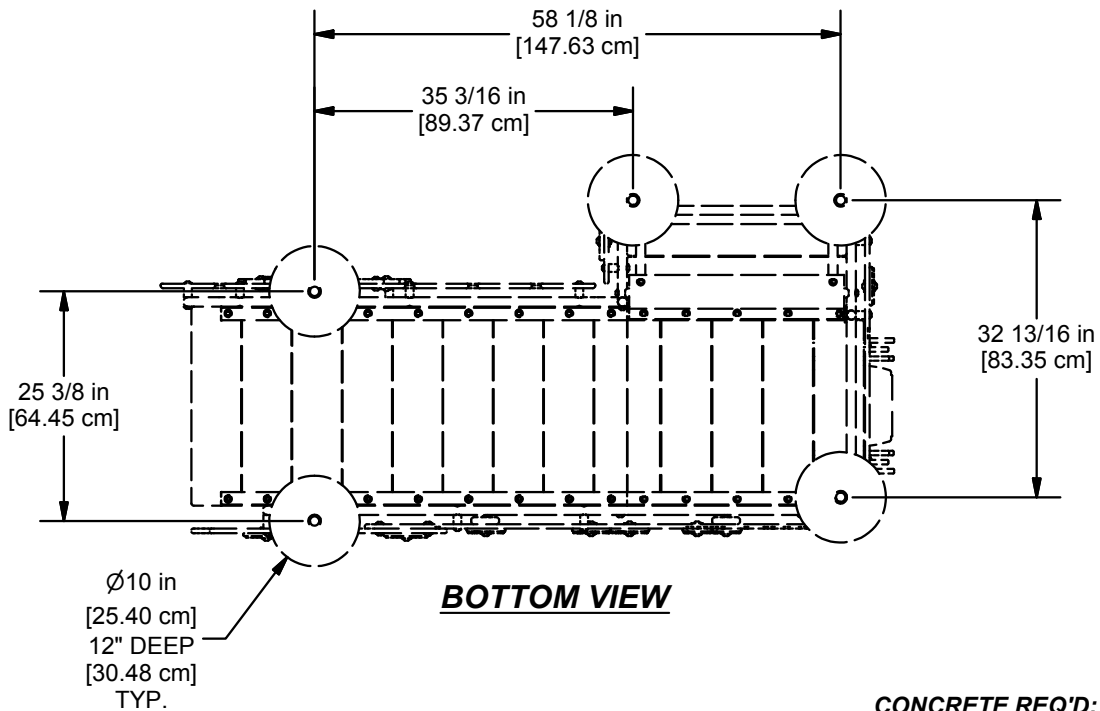
Periodically check hardware for tightness, and tighten as necessary. Always check all parts for breakage or wear, and immediately put equipment out of service until any faulty parts found are repaired or replaced. Also Check all metal parts for rust, paint loss and touch-up if necessary with paint. Check for welded areas and verify integrity. Check periodically resilient surfacing for appropriate depth and remove extraneous materials that could cause injury, infection, or disease. Maintain detailed installation, inspection, maintenance, and repair records for each public-use playground equipment.

UP147 - IN-GROUND PACKAGE FOR THE BIG OUTDOORS (USED ON MODEL #UP146)



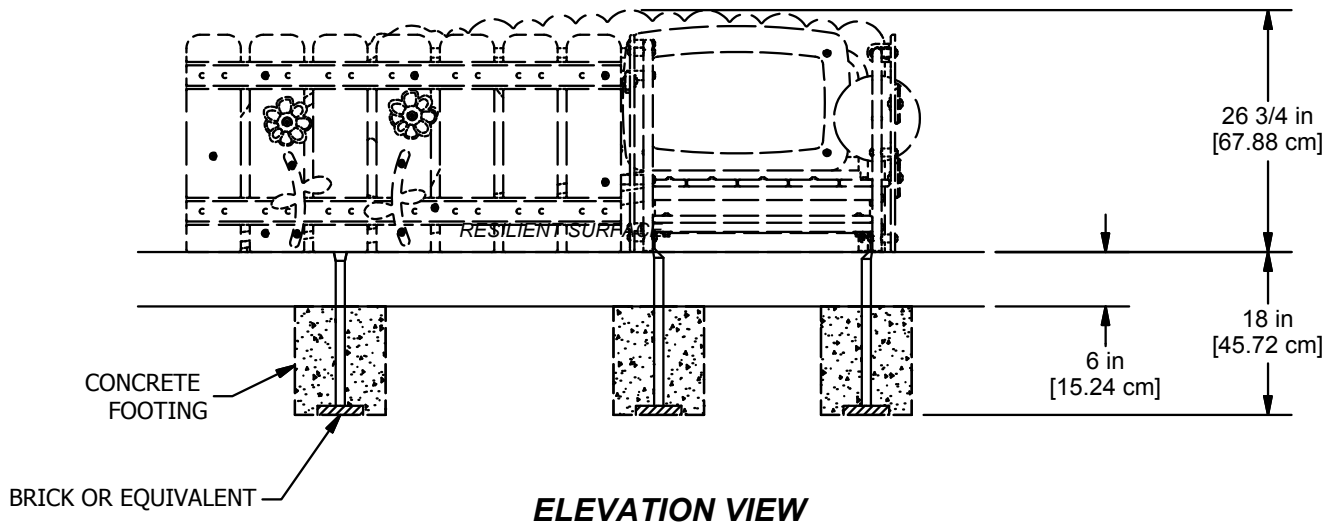
Issued/Revised: 01-20-12

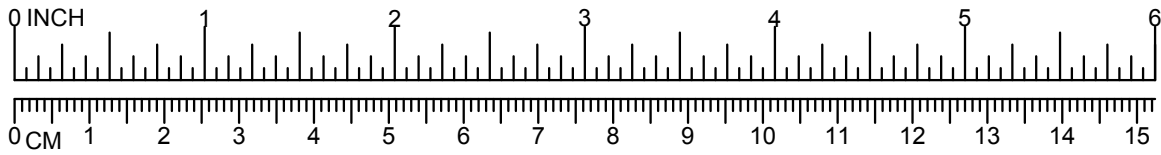
UP147 - IN-GROUND PACKAGE FOR THE BIG OUTDOORS (USED ON MODEL #UP146)



CONCRETE REQ'D:
0.100 CUBIC YARDS
0.075 CUBIC METERS

SHOCK ABSORBING PROPERTIES OF SURFACING MATERIALS VARY. IF YOU DETERMINE THAT LESS THAN 10" OF SURFACING IS REQUIRED, MAKE-UP THE DIFFERENCE IN ELEVATION WITH EARTH BEFORE APPLYING SURFACING. IF MORE THAN 10" IS REQUIRED. MAKE UP THE DIFFERENCE BY REDUCING THE DEPTH OF THE GROUNDHOLE BY NO MORE THAN 2".





UP147 - IN-GROUND PACKAGE FOR THE BIG OUTDOORS (USED ON MODEL #UP146)

