



UP141 SURFACE MOUNT PACKAGE FOR CRUISE-A-LONG (USED ON MODEL #UP136, UP137, UP138. & UP139)

Parts List		
DESCRIPTION	QTY	PART NUMBER
3/8" x 2 3/4" WEDGE ANCHOR	4	800076
90° ANGLE BRACKET	4	403204

*Unless Otherwise Specified, All Units of Measure are Each
Items listed below Hardware Complete line are included with Hardware Complete Number*

Warning: During Installation, Hardware And Small Parts Are Choking Hazards For Young Children. Store Unused Parts Appropriately Until Assembly Is Completed. Once Assembly Is Completed, Remove Any Unused Parts From The Play Environment And Dispose/Save Them In A Secure Location. Any bolt end protruding more than two full threads beyond the face of the nut causes risk of clothing entanglement. Promptly cut-off flush, file smooth, and treat to prevent corrosion.

INSTALLATION INSTRUCTIONS:

UP136 & UP137

1. Attach Squirrel Panel, Back Wall and 90° Angle Bracket to Soft Ramp and Soft Deck using 3/8" x 1 3/4" P.B.H.C.S. w/Patch and 3/8" Flat Washer. See detail 052.
2. After Assembly is complete drill 3/8" diameter x 2" deep holes in concrete to Wedge Anchors.
3. Insert Wedge Anchors and secure with 7/8" O.D. Flat Washers and 3/8" Lock Nut. See Detail 053.

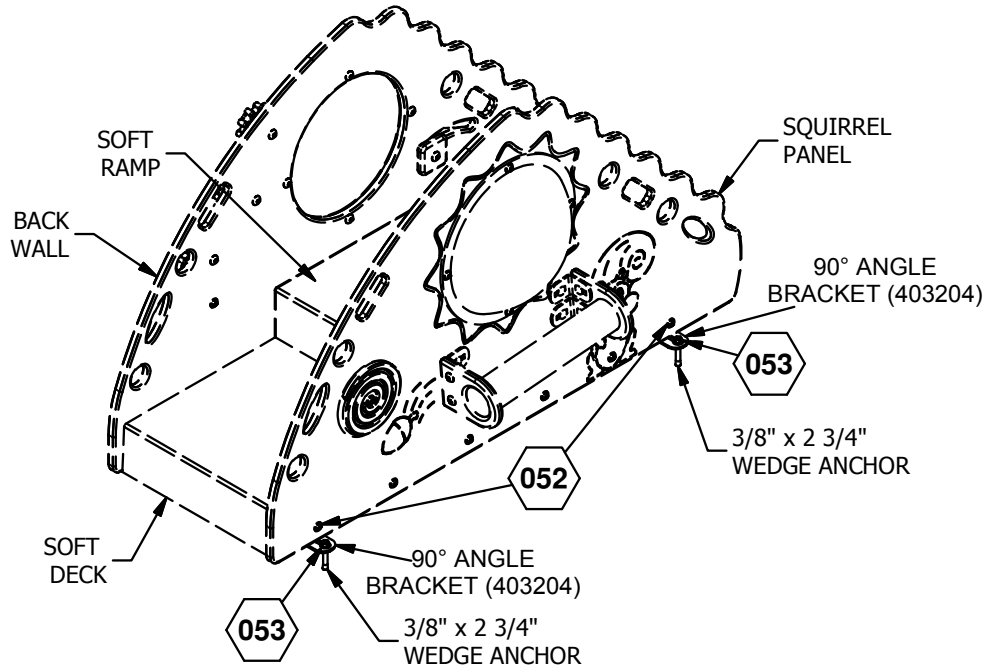
UP138 & UP 139

1. Attach Deck, Ramp and 90° Angle Bracket to Squirrel Panel and Back Wall using 3/8" x 1 3/4" P.B.H.C.S. w/Patch, 3/8" Flat Washer, 3/8" Flat Washer (1 1/4" O.D.), and 3/8" Hex Nut. See Detail 054.
2. After Assembly is complete drill 3/8" diameter x 2" deep holes in concrete to receive Wedge Anchors.
3. Insert Wedge Anchors and secure with 7/8" O.D. Flat Washers and 3/8" Lock Nut. See Detail 053.

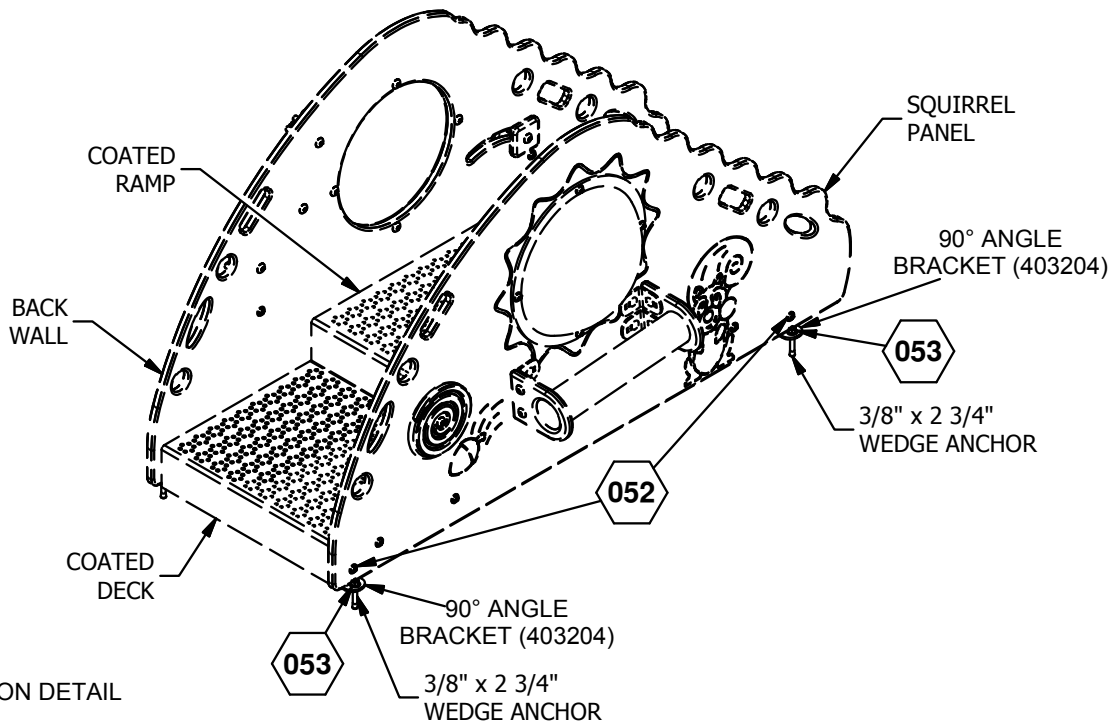
MAINTENANCE PROCEDURE:

Periodically check hardware for tightness, and tighten as necessary. Always check all parts for breakage or wear, and immediately put equipment out of service until any faulty parts found are repaired or replaced. Also Check all metal parts for rust, paint loss and touch-up if necessary with paint. Check for welded areas and verify integrity. Check periodically resilient surfacing for appropriate depth and remove extraneous materials that could cause injury, infection, or disease. Maintain detailed installation, inspection, maintenance, and repair records for each public-use playground equipment.

UP141 SURFACE MOUNT PACKAGE FOR CRUISE-A-LONG (USED ON MODEL #UP136, UP137, UP138, & UP139)



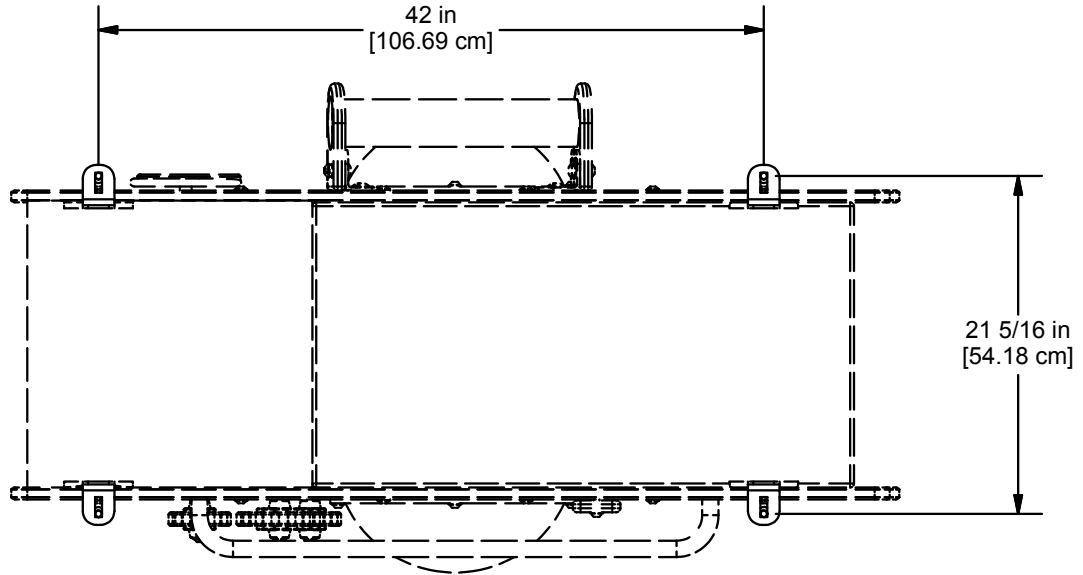
FOR UP136 & UP137



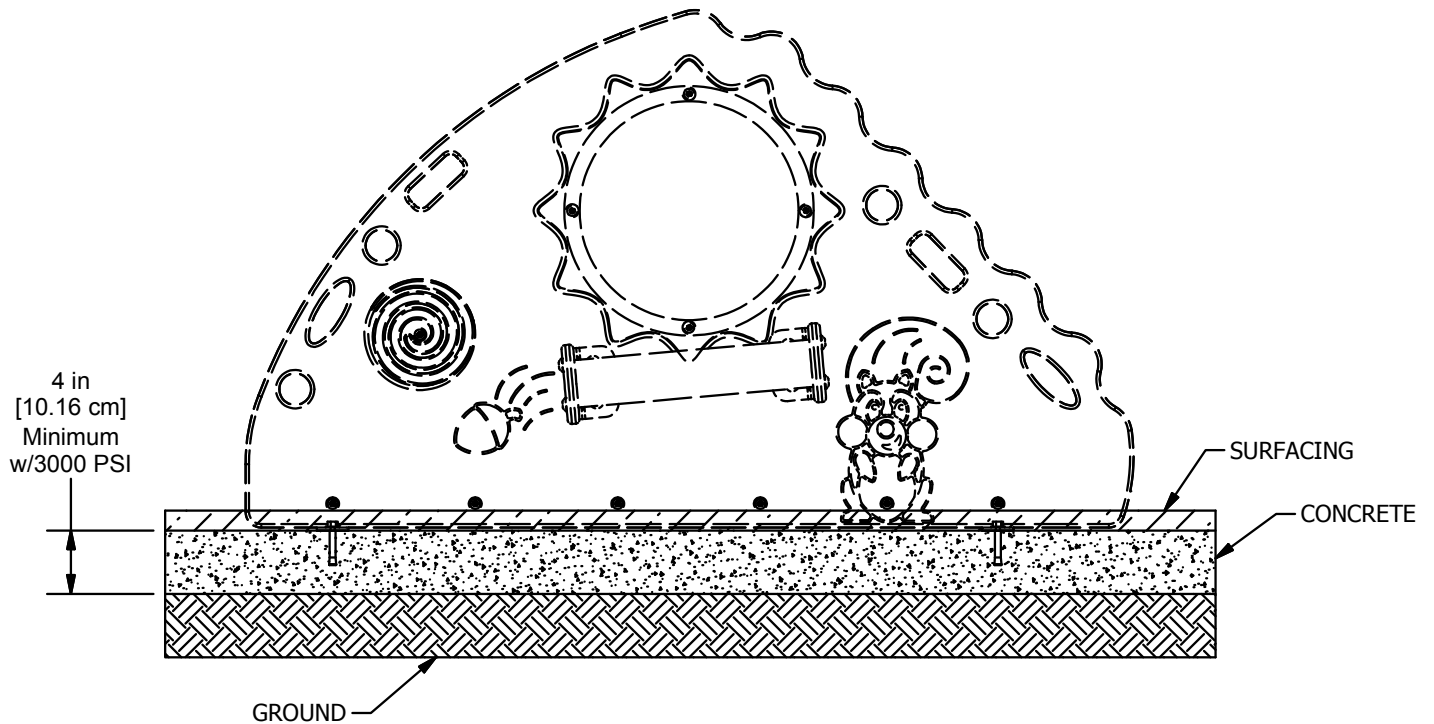
FOR UP138 & UP139

= INSTALLATION DETAIL

UP141 SURFACE MOUNT PACKAGE FOR CRUISE-A-LONG (USED ON MODEL #UP136 & UP137)



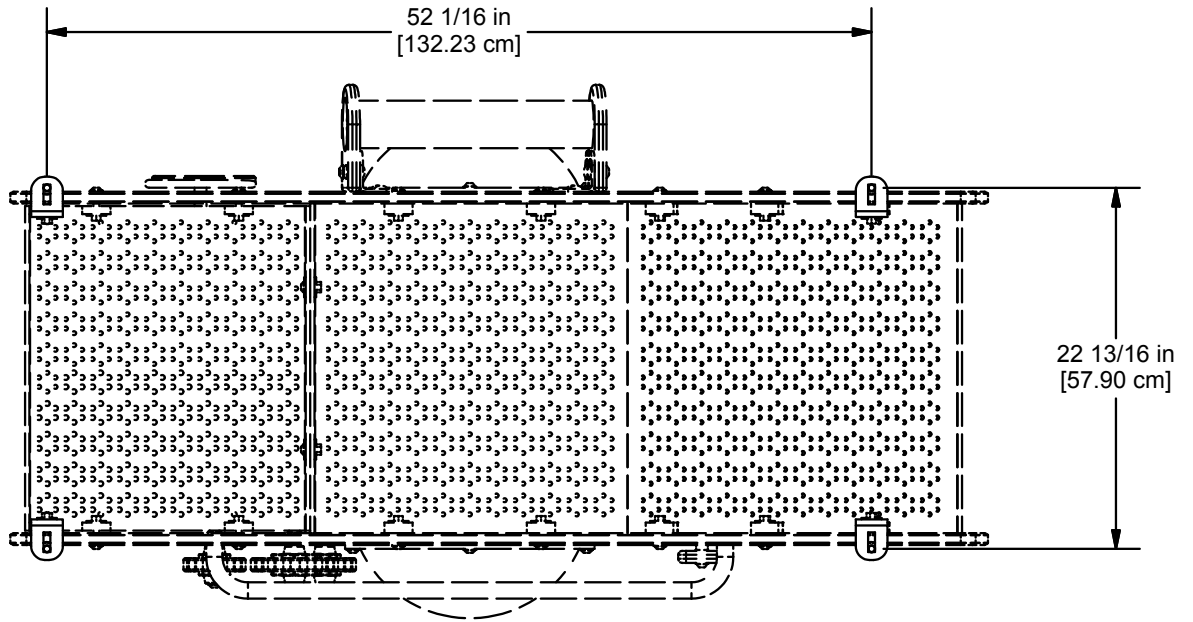
BOTTOM VIEW



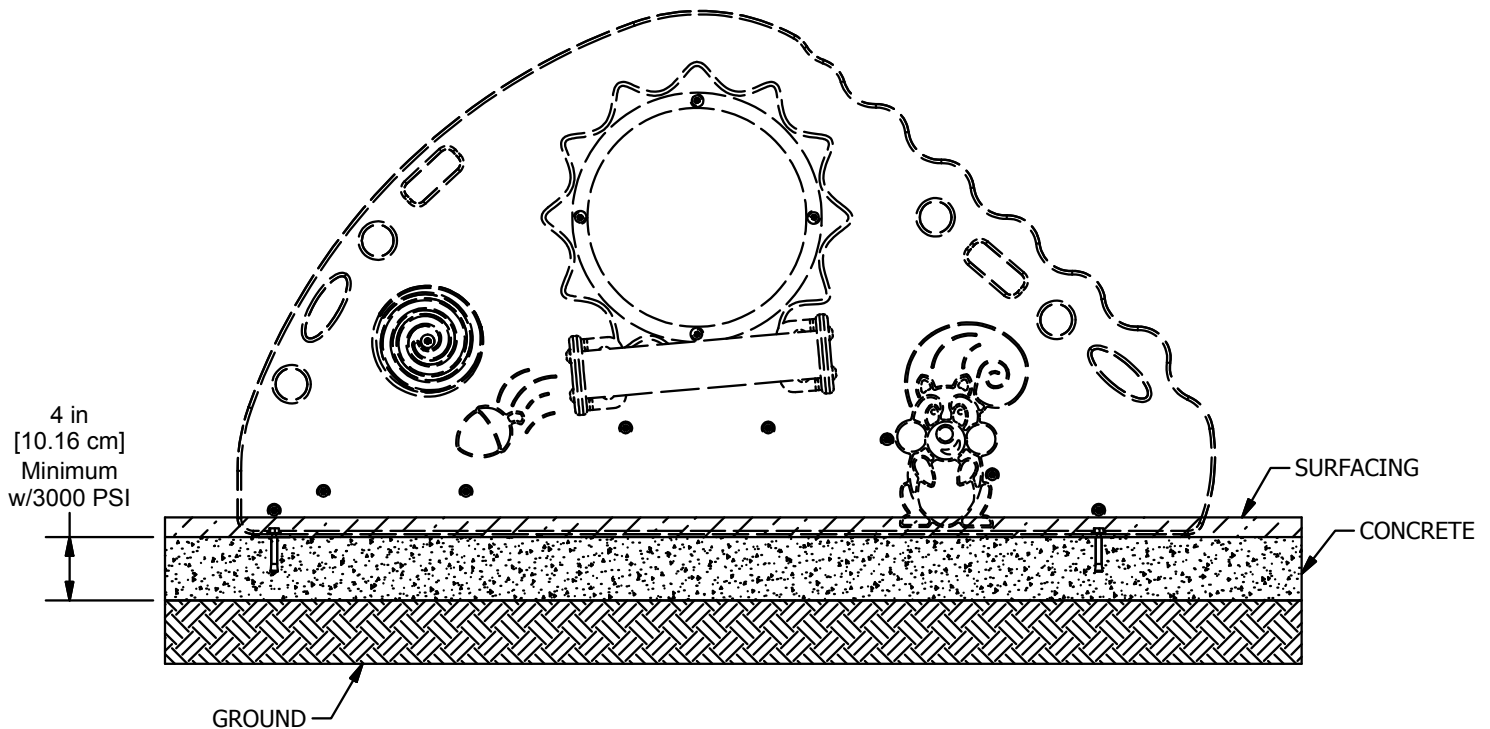
ELEVATION VIEW

Issued/Revised: 01/24/12

**UP141 SURFACE MOUNT PACKAGE FOR CRUISE-A-LONG
(USED ON MODEL #UP138 & UP139)**



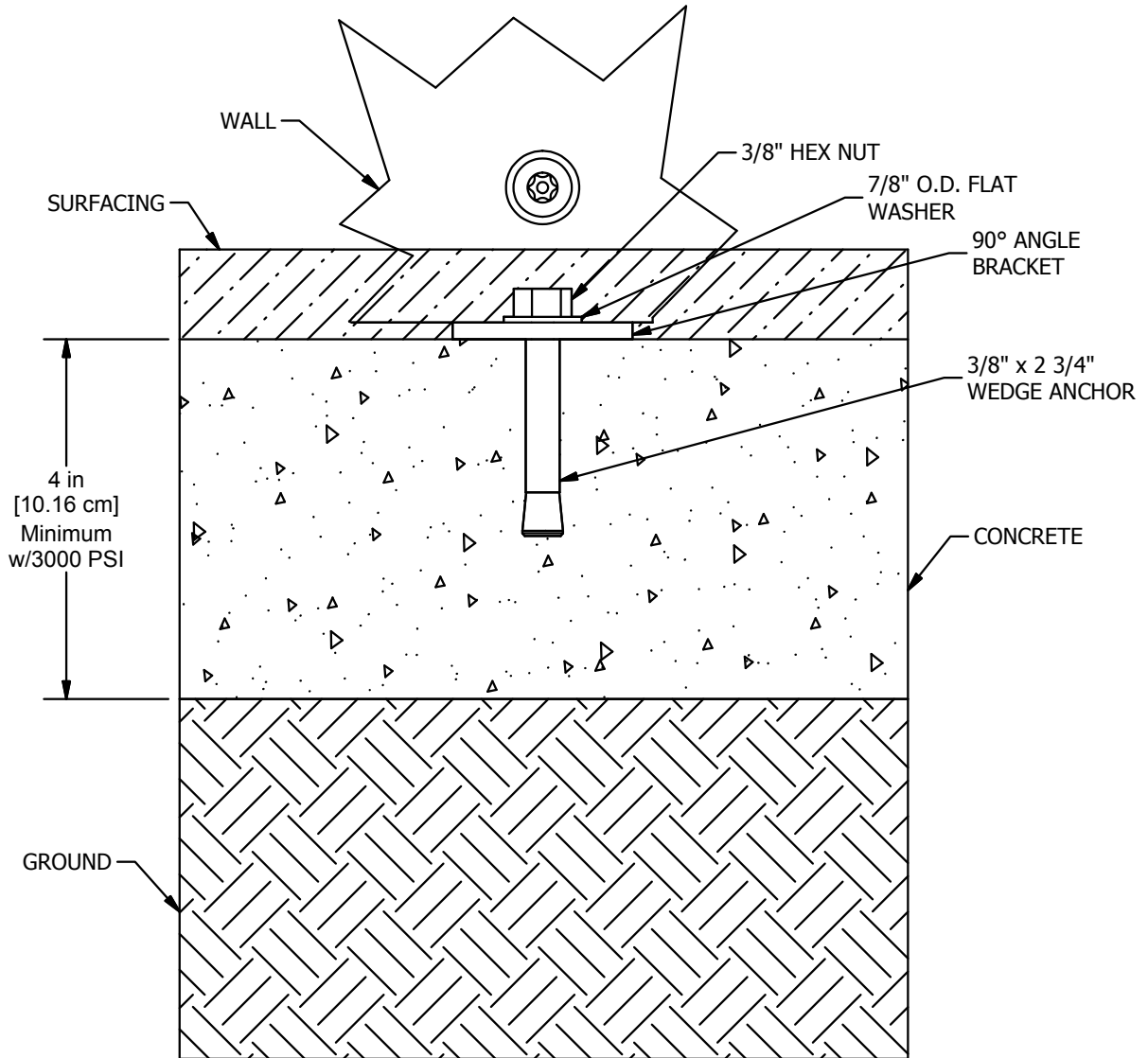
BOTTOM VIEW



ELEVATION VIEW

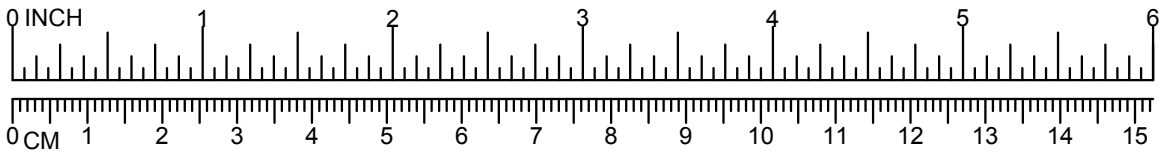
Issued/Revised: 01/24/12

UP141 SURFACE MOUNT PACKAGE FOR CRAWL & TODDLE (USED ON MODEL #UP136, UP137, UP138, & UP139)

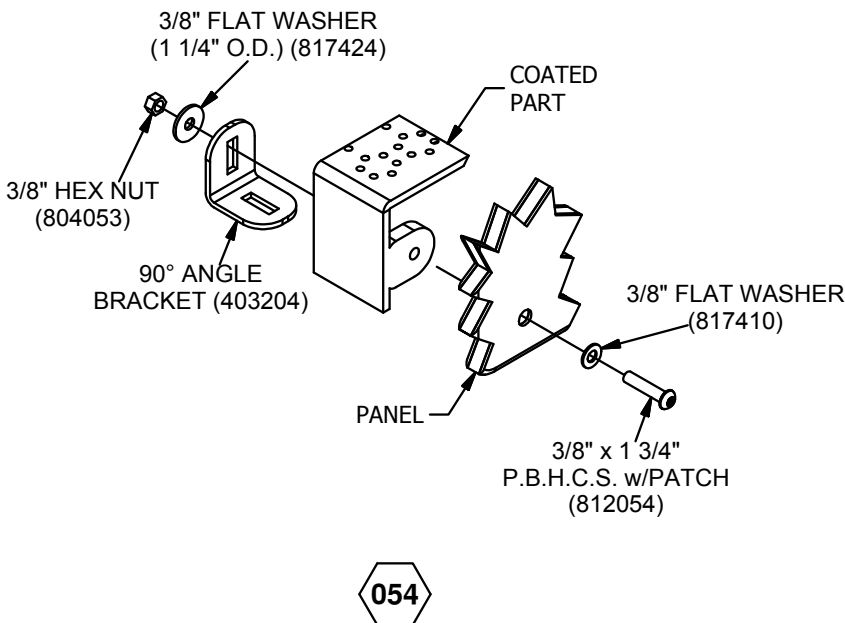
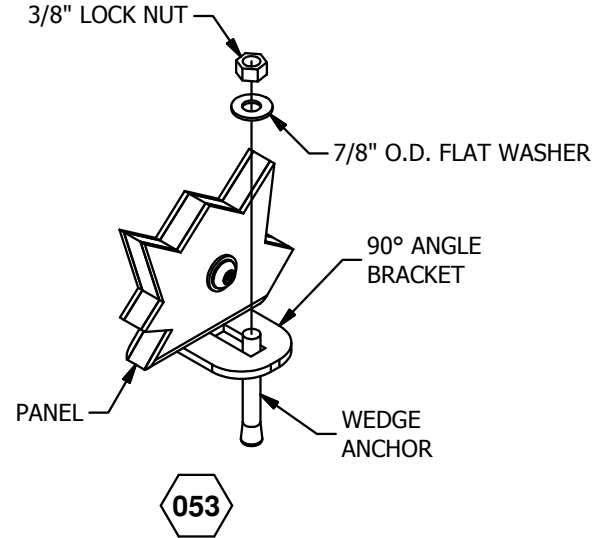
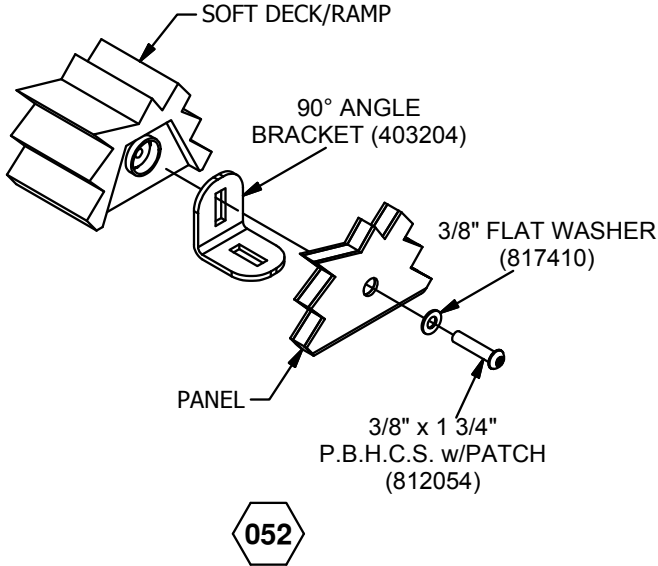


NOTE: Illustration depicts 90° Angle Bracket and 3/8" x 2 3/4" Wedge Anchor,

IMPORTANT: Never install play equipment over hard, unresilient surfaces such as asphalt, concrete, or compacted earth. It is the owner's responsibility to ensure the "minimum area required" contains an appropriate amount of resilient material to cushion accidental falls.



UP141 SURFACE MOUNT PACKAGE FOR CRUISE-A-LONG (USED ON MODEL #UP136, UP137, UP138, & UP139)



Issued/Revised: 01/24/12



800.458.5872

www.ultraplay.com