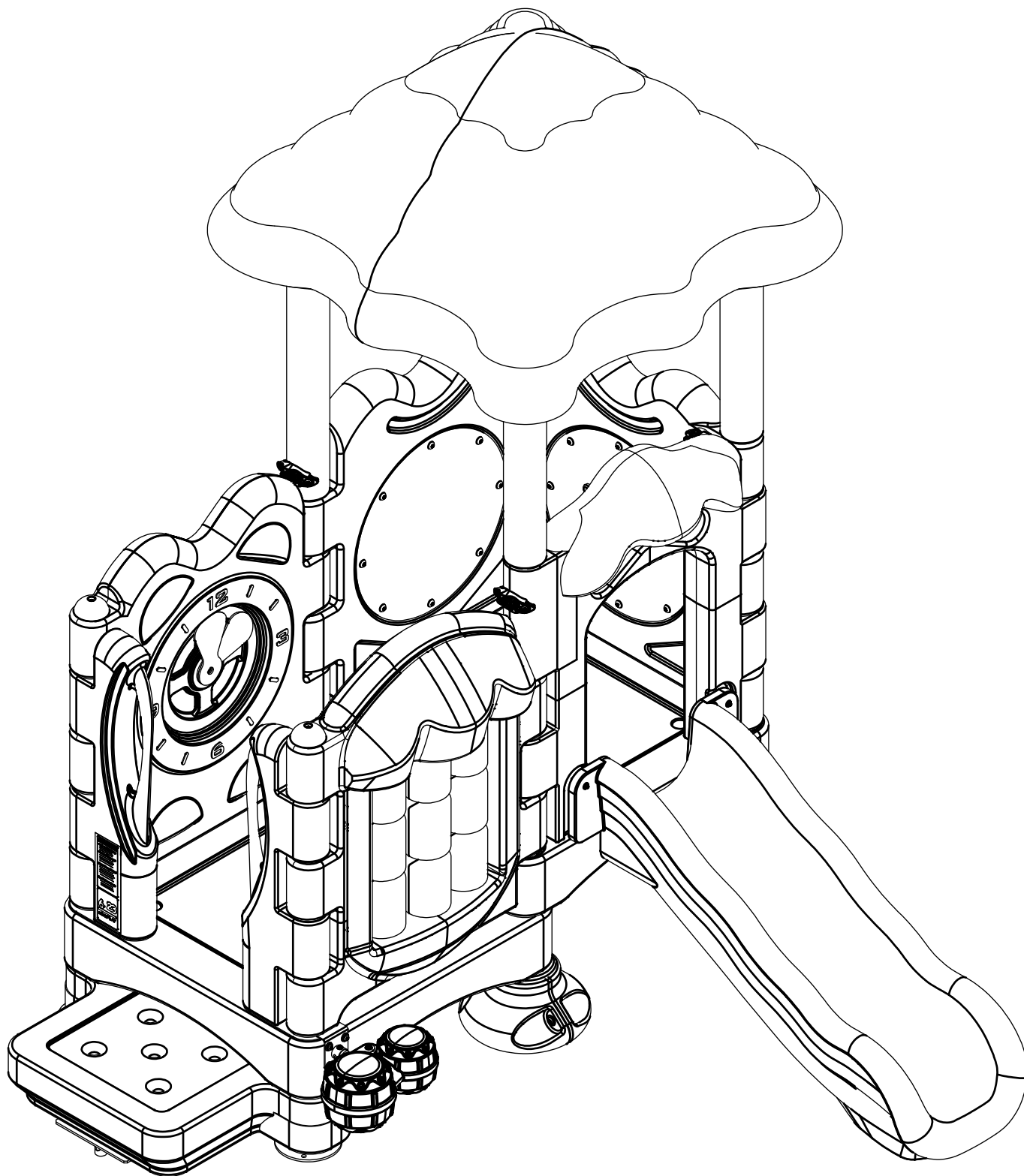


DC-SEEDLING w/ROOF



Issued/Revised: 04/15/13

MODEL # DC-SEEDR

800.458.5872



DC-SEEDLING w/ROOF

Dear Discovery Centers™ Customer,
Thank you for choosing to purchase and install a Discovery Centers commercial playsystem by UltraPlay®. We appreciate the confidence you have placed in our company, and we will strive to earn your trust.

This is your Owner's Manual & Assembly Instructions booklet. We have designed this manual specifically for the products that you have purchased. Included in this manual you will find the following:

- Maintenance schedule & record
- Safety guidelines
- Warranty information
- Product installation instructions
- 2-D top view drawings
- Ground plan

Please save this booklet for future reference.

The first several pages of this booklet contain important and valuable information regarding the general placement, installation and safety practices common to commercial play equipment. Please read this information carefully and use your best judgment as to how these guidelines apply to your specific situation.

If you have any questions concerning your new equipment, you can contact a Discovery Centers Customer Service Representative at 1-800-458-5872 or reach them electronically by sending an e-mail to: customerservice@ultraplay.com.

To register your equipment and activate your warranty, please go to www.ultraplay.com within 30 days of delivery. This will allow UltraPlay to have a record of your purchase in case of warranty claims.

For more information on Discovery Centers and UltraPlay products, please do not hesitate to give us a call or visit ultraplay.com.

Thank you for your business; we look forward to working with you on all of your future playground equipment projects!

Sincerely,

Discovery Centers by UltraPlay
A PlayCore® Company

Issued/Revised: 04/15/13



800.458.5872

www.ultraplay.com

2

GENERAL COMMERCIAL PLAYGROUND SAFETY GUIDELINES

IMPORTANT: This structure is designed to comply with the ASTM F1487 standard for users 6 months through 23 months of age.

Maintaining your playground equipment and its surrounding area is essential to minimizing the risk of injury to users as well as maximizing its useful lifespan. UltraPlay STRONGLY recommends that you follow these Safety Guidelines in conjunction with conducting periodic maintenance inspections using the accompanying *Playground Maintenance Checklist*.

When installing your playground, always consider local conditions. Good common sense works hand-in-hand with the instructions.

LOCATING YOUR PLAY STRUCTURE:

Comply with the following when choosing the location for your new equipment:

Equipment shall be positioned to eliminate conflicting traffic patterns. As a general rule, allow at least 3' of free space around the entire structure. This minimum area should be filled with the appropriate surface material. Read further for surfacing recommendations.

Never overlap the safety zones of adjacent equipment. All separate play equipment must have its own safety zone, and these cannot overlap. So, if you have an existing structure with a slide exit oriented toward your new one, add a minimum safety zone to that of the existing slide to determine how far away you need to be. Never install playground equipment near, around, or in conjunction with swimming pools, ponds, lakes, or any other bodies of water.

CHOOSING RESILIENT SURFACE MATERIAL:

According to ASTM guidelines: "Unacceptable material for use zones of play structures with fall heights of 18 in. or less shall include all hard or abrasive materials such as asphalt, concrete, terrazzo, or other materials with similar characteristics." Other standards apply for equipment with fall heights greater than 18 in.

Acceptable surfacing should be placed in the use zones of all equipment, as specified for each type of equipment, and at depths to meet the critical fall heights as specified by the U.S. Consumer Product Safety Commission, ASTM standard F-2373 and Canadian Standard CAN/CSA-Z-614.

For more information on the proper surfacing materials, call the CPSC hotline at 1-800-638-2772.

Worn surfaces around equipment should be restored. Concrete footing should never be exposed. Refer to the attached PLAYGROUND MAINTENANCE CHECKLIST.

Check for erosion and cratering of surfaces in heavy traffic areas and restore surfacing as necessary.

Surfacing leading to play opportunities for children with disabilities should be firm, stable, slip resistant, and resilient.

GENERAL COMMERCIAL PLAYGROUND SAFETY GUIDELINES

OVERHEAD OBSTRUCTIONS:

Overhead obstructions (for example, exterior obstructions such as tree limbs and interior lights) within the use zones of play structures shall be a minimum 84 inches (2130 mm) above each designated play surface outdoors and a minimum of 48 inches (1220 mm) above each designated play surface indoors.

All overhead utility line clearances above outdoor supervised and outdoor unlimited access settings shall comply with all local, state, and national codes, such as the National Electrical Safety Code. For specific equipment fall zone requirements, refer to the CPSC and ASTM F1487 and use the more stringent of the two.

CATCH POINT & PROTRUDING HARDWARE:

There should be no dangerous pieces of hardware, such as protruding bolt ends and narrow gaps in metal connections. Exposed hardware can cut or puncture skin and catch clothing drawstrings, which could strangle a child.

All protruding nuts and bolts should be eliminated; sharp edges on pipes should be capped or removed. Check for bent, broken, or severely worn pipe and replace. Examine play system for foreign objects, holes, and rough edges.

TRIPPING HAZARDS:

There should be no exposed concrete footings, abrupt changes in surface elevations, tree roots, tree stumps, and rocks, which can trip children and adults. Check for trip hazards, such as the balance beam support posts, or environmental trip hazards, such as rocks or roots in the play area. Make all necessary improvements or repairs.

AFTER THE EQUIPMENT IS IN USE:

- Never add components not intended for use with this product.
- Never install other play equipment, fencing, landscaping, etc., that encroach upon the safety zones of this equipment.
- Check overall stability and rigidity of all play equipment.
- Check for proper assembly, installation and ground anchoring.
- Check and re-tighten all fasteners after the first few days of use and again after three weeks of use. Thereafter, exercise normal maintenance procedures. Use of a thread-locking compound on the threads of bolts can prevent persistent loosening.

GENERAL COMMERCIAL PLAYGROUND SAFETY GUIDELINES

ROUTINE MAINTENANCE:

Regularly inspect and maintain your playground equipment and its surrounding area to help ensure the safety of the user. Proper maintenance of Discovery Centers equipment includes using the accompanying **Playground Maintenance Checklist** found in this booklet to identify areas requiring repairs or replacement, and barricading the equipment to prevent use while corrections are being made.

As the Owner/Operator of the equipment, you should establish and maintain detailed installation, inspection, maintenance, and repair records for each public-use playground equipment area. Find out if your playground has a designated official who periodically inspects the play equipment for preventative maintenance. This includes but is not limited to: replacing missing, broken or worn-out components; securing hardware; checking for deterioration in the metal or plastic materials; maintaining the proper depth of surfacing material; and cleaning up debris.

The following are some regular maintenance areas of note:

- Check for and repair damage caused by wear or vandalism, a major factor in injury causing situations.
- Proper maintenance of Discovery Centers equipment requires regular tightening of all bolts, nuts, set screws, and other hardware.
- All equipment should be free of rust and repainted with an appropriate lead-free paint whenever necessary to deter rusting. This should also be done for any chipped or peeling areas.
- Regular checking of all parts, casting, etc., should be made. If part is broken or worn it should be replaced immediately.
- Check for missing or broken parts and repair as necessary.
- Check to be sure there is free movement on moving attached parts.
- Check for hard surfaces and correct. Refer to CPSC surfacing requirements.
- Check for surfacing material that is worn or scattered and restore.
- Debris, broken glass, trash, or other foreign objects within or on the play area/equipment should be removed.
- Check for poor drainage areas and repair.

Continued on next page

GENERAL COMMERCIAL PLAYGROUND SAFETY GUIDELINES

- Check concrete footings to see if they are exposed, cracked, or loose in the ground and repair as necessary.
- Check crush points (exposed mechanisms, junctures of moving components) and eliminate.
- Check for broken supports or anchors. Check for stability in ground. Structures should not be easily swayed; connections should be solid and adequately secured.
- Check all posts in ground for corrosion below grade.
- When flexible components are anchored in the ground, check and make sure anchoring devices are below the level of the playground.
- Check for visible cracks, bending, warping, rusting, or breakage of any component and repair as needed.
- Check for accessible sharp edges or points. Check for protruding bars, bolts, nuts, etc. Eliminate these conditions.
- Check for exposed ends of tubing that should be covered with plugs or caps.
- Check for loose bolts, nuts, etc. and tighten.

MAINTENANCE CHECKLIST



Maintaining your playground equipment as well as its surrounding area is essential to minimizing the risk of injury to users as well as maximizing its useful lifespan. UltraPlay recommends the following maintenance procedures be followed:

On a daily basis: A responsible individual should conduct a brief visual check for structural defects, signs of vandalism and litter of foreign matter that needs to be removed.

On a weekly basis: A responsible individual should complete this checklist. Any required repairs should be detailed on the separate **Detailed Maintenance Record**, and once they are completed, both should be filed for future reference. A separate file and form should be kept for each play structure at each location.

IMPORTANT: Always refer to - and comply with - the separate Safety Guidelines and ASTM and CPSC Guidelines. The play structure(s) should be barricaded so that it cannot be used while repairs are being completed.

	Item to be Checked (use the following page to record a brief description of the necessary repairs)	OK	Repairs Required	Date Repaired
A.	Play Structures in General			
	1. Post and component footings are not exposed, cracked or loose			
	2. Welds are intact and free of cracks			
	3. No rust or corrosion			
	4. No splintered, cracked, gouged or otherwise deteriorated plastics; check for integrity of the plastic, keep plastic clean of any extraneous substances, verify that any deformation does not create entrapment as specified on ASTM-F-2373.			
	5. No scratched, chipped or peeling paint			
	6. Metal parts show no visible cracks, bending, warping or breakage			
	7. No missing bolts, nuts, etc.			
	8. All bolts, nuts and fasteners are tight			
	9. All joints are secure (pay special attention to flush-mounted decks and pipe connections)			
	10. No broken or missing parts			
	11. No sharp edges or unsafe protrusions (check metal corners, bolts, etc.)			
	12. No exposed mechanisms, junctions of moving parts or components that will pose possible pinch or crush points			
B.	Play Events			
	1. Plastic is not cut or cracked			
C.	Surrounding Area			
	1. Resilient surfacing material is not scattered or excessively worn			
	2. Resilient surfacing material is adequately deep and retains its fall absorbing abilities as specified at time of installation			
	3. Border around playground is in good condition and has not come loose			
	4. No roots, rocks or other objects that may cause a tripping or injury hazard			
	5. Area is clean of litter (no broken glass or bottles, etc.)			



LIMITED WARRANTIES

Ten Years

- Upright Posts
- Post Caps
- Hardware

Materials and Workmanship

Five Years

- Rotomolded Plastic Components
- Blowmolded Plastic Components
- Ground Mount Metal Parts

Materials and Workmanship

One Year

- Moving Parts
- Freestanding and other components

Materials and Workmanship

All warranties specifically exclude damage caused by man-made or natural disasters, vandalism, negligence, improper installation or improper use, modification, changes in appearance resulting from weathering, scratches, dents, discoloration, normal wear and tear, or marring as a result of public or private use.

Claims are limited to replacement of equipment only and do not include any costs associated with labor, removal or installation of the original or replacement product.

Warranties are valid only if products are installed and maintained in accordance with UltraPlay installation instructions and use of approved parts.

To register your equipment and activate your warranty, please go to www.ultraplay.com/productregistration within 30 days of delivery. This will allow UltraPlay to have a record of your purchase in case of warranty claims.

WARRANTY

UltraPlay warrants its products to be free from defects in materials and/or workmanship, subject to normal usage and installation, for a period of 1-year from the date of shipment to the original purchaser. In the event of a claim under this warranty, UltraPlay will replace the component at no cost within the first 12 months from date of shipment to the original customer. Equipment not specifically addressed in the following paragraphs is also subject to this limited 1 year warranty against defects in materials and/or workmanship.

FIFTEEN-YEAR LIMITED WARRANTY ON METAL PARTS

UltraPlay provides a limited warranty on metal decks, steps, stairs, rails, pipes, support posts, rungs, loops, to be free from defects in materials or workmanship against structural failure which causes the product to become unfit for its intended use, subject to normal usage and installation, for a period of 10 years from the date of shipment to the original customer.

TEN-YEAR LIMITED WARRANTY ON UPRIGHT POSTS, CAPS, AND HARDWARE

UltraPlay provides a limited warranty on Discovery Centers metal upright posts, caps, and hardware to be free from defects in materials or workmanship against structural failure which causes the product to become unfit for its intended use, subject to normal usage and installation, for a period of 10 years from the date of shipment to the original customer.

FIVE-YEAR LIMITED WARRANTY ON ROTOMOLDED AND BLOWMOLDED PLASTIC COMPONENTS

UltraPlay provides a limited warranty on rotomolded and blowmolded plastic components such as the following plastic parts: slides, climbers, roofs, panels. These components are warranted to be free from defects in materials or workmanship, subject to normal usage and installation, for a period of 5 years from the date of shipment to the original customer.

FIVE-YEAR LIMITED WARRANTY ON GROUND-MOUNT METAL PARTS

UltraPlay Systems provides a limited warranty on metal footers, inground footers, surface mount plates, ground spikes, slide and climber mounting posts and plates to be free from defects in materials or workmanship against structural failure which causes the product to become unfit for its intended use, subject to normal usage and installation, for a period of 5 years from the date of shipment to the original customer.

ONE-YEAR LIMITED WARRANTY ON COMPONENTS WITH MOVING PARTS

UltraPlay Systems provides a limited warranty on components with moving parts, freestanding components such as spring riders and swings, and all other components not specifically named above to be free from defects in materials or workmanship against structural failure which causes the product to become unfit for its intended use, subject to normal usage and installation, for a period of 1 year from the date of shipment to the original customer.

WARRANTY EXCLUSIONS

All warranties specifically exclude damage caused by man-made or natural disasters, vandalism, negligence, improper installation or improper use, modification, changes in appearance resulting from weathering, scratches, dents, discoloration, normal wear and tear, or marring as a result of public or private use.

Claims are limited to replacement of equipment only and do not include any costs associated with labor, removal, or installation of the original or replacement product.

Warranties are valid only if products are installed and maintained in accordance with UltraPlay installation instructions and use of approved parts.

This warranty is applicable to the original owner only. Warranties are non-transferable.

Claim Procedure: To make a warranty claim, send your written statement of claim, photographs of defective equipment, and the original purchase invoice or invoice number to:

Discovery Centers
Customer Service
1675 Locust Street
Red Bud, IL 62278

Or Contact a Customer Service Representative at:
1-800-458-5872

Within 60 days of notice of claim under warranty, UltraPlay will make arrangements to replace the damaged product. UltraPlay will cover freight costs within the continental United States. UltraPlay is not responsible for freight costs associated with products located outside the continental United States. UltraPlay reserves the right to inspect all products identified as defective. Photos of defective equipment may be required to accompany warranty claims.

Since warranty limitations and exclusions may vary from state to state, you should check any specific warranty rights in your state.

Date of Purchase: _____

Purchaser: _____

UltraPlay Invoice Number: _____

Authorized UltraPlay Signature

Title

Visit UltraPlay on the web at www.ultraplay.com

Issued/Revised: 04/15/13



GENERAL INTRODUCTION TO INSTALLATION INSTRUCTIONS

IMPORTANT! Please read the entire Installation Instructions packet before beginning the installation.

UltraPlay has designed Discovery Centers to take advantage of all Consumer Product Safety Commission (CPSC) and ASTM guidelines in force at the time of purchase in an effort to prevent playground accidents. However, because studies have shown most playground injuries result from accidental falls, you, as the new owner of this equipment are responsible for providing an acceptable play surface under and around all playground equipment. Please refer to the accompanying Safety Guidelines as well as CPSC guidelines and this document for examples of such surfacing.

We would like to provide the following suggested guidelines for your play environment:

- Refer to the Use Zone and note the Minimum Area Required shown for this structure. This area must be filled with acceptable play surface material, and must be clear of all obstacles, including but not limited to trees, curbing, sidewalk, fence, other play equipment, rocks, and landscaping, etc.
- According to ASTM guidelines: " Unacceptable materials for use zones of play structures with fall heights of 18 in. or less shall include all hard or abrasive materials such as asphalt, concrete, terrazzo, or other materials with similar characteristics." Other standards apply for equipment with fall heights greater than 18 in.
- Acceptable play surfaces include: sand, mulch, fine gravel or shredded beltless tires, if installed at the appropriate depths per CPSC guidelines for play surfacing.
- Close supervision of children playing on or around the structure is strongly recommended, along with classroom and/or home instructions on safer behavior on the playground equipment. The full supervision of playgrounds is the responsibility of the owner once the play structure has been properly installed.

TOOLS REQUIRED:

UltraPlay supplies only the special wrenches and bits required to fasten the "tamper-resistant" hardware and components. You will need common wrenches as well as a drill, phillips head screw driver, utility knife, rubber mallet, and a tape measure. Refer to the Tools Required page for a detailed list.

INSTALLATION GUIDELINES:

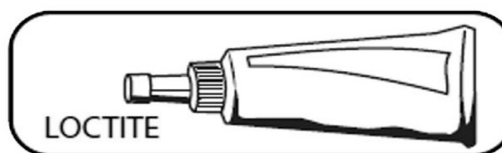
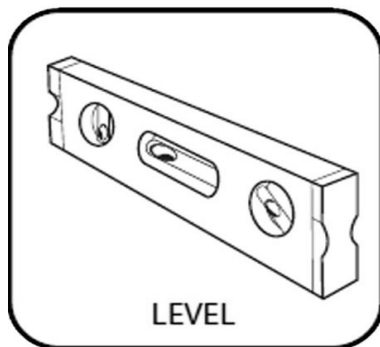
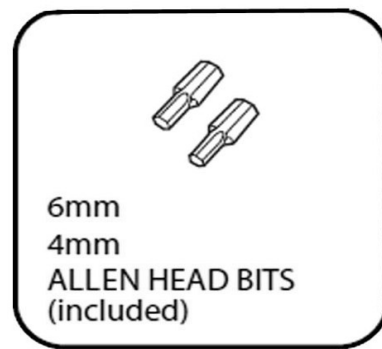
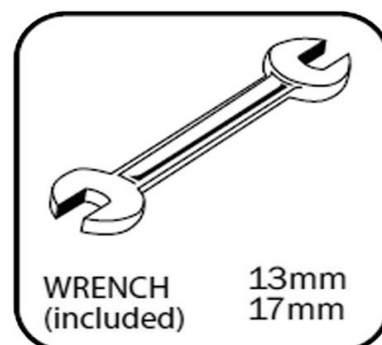
1. Compare all parts received to the packing list. Notify UltraPlay immediately of any missing parts. We are not responsible for parts discovered missing over 10 days after receipt of the shipment.

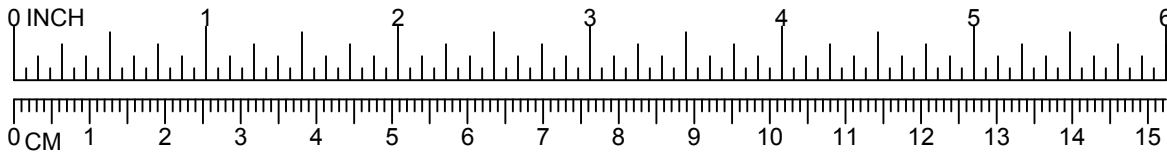
Continue on next page

GENERAL INTRODUCTION TO INSTALLATION INSTRUCTIONS

2. Refer to the Use Zone to ensure this structure will fit into your actual site area. Note the Minimum Area Required measurements to determine clear space required. A minimum of 3' clearance is required between any obstacles and your structure.
3. Site selection should include considerations of what is a safer and appropriate play area:
 - A level and clear site is ideal, free of power lines or electrical equipment.
 - Do not install play equipment near any bodies of water.
 - If adjacent to a street with traffic, ensure adequate fencing acts as a barrier to children running into danger.
4. Site layout should include accurate measurement and marking of all footings prior to any installation. Use the dimensions shown between footings on the Use Zone to plot out the actual footprint of the play structure before doing any digging. Also locate any freestanding play equipment in the same way, providing the necessary clearance between the equipment as well as any fences, trees, etc. Ensure at this time you have enough total space for the equipment to be installed.

TOOLS REQUIRED

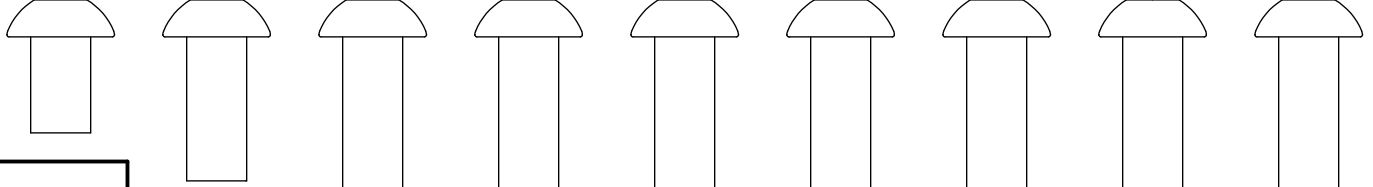




HARDWARE REFERNECE

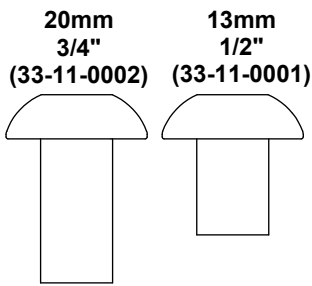
M8 B.H.C.S. Bolts

- 13mm
1/2"
(33-11-0101)
- 20mm
3/4"
(33-11-0102)
- 25mm
1"
(33-11-0103)
- 30mm
1-3/16"
(33-11-0104)
- 35mm
1-3/8"
(33-11-0105)
- 40mm
1-9/16"
(33-11-0106)
- 45mm
1-3/4"
(33-11-0109)
- 50mm
2"
(33-11-0114)
- 70mm
2-3/4"
(33-11-0107)



M10 B.H.C.S. Bolts

- 80mm
3-1/8"
(33-11-0011)
 - 70mm
2-3/4"
(33-11-0008)
 - 60mm
2-3/8"
(33-11-0007)
 - 50mm
2"
(33-11-0010)
 - 40mm
1-9/16"
(33-11-0006)
 - 35mm
1-3/8"
(33-11-0005)
 - 30mm
1-3/16"
(33-11-0004)
 - 25mm
1"
(33-11-0003)
 - 100mm
4"
(33-11-0108)
- 18" Ground Spike (Not to Scale)
(02-08-0125)



M8 Lock Washer
(33-11-0301)

M8 Flat Washer
(33-11-0300)

M8 Lock Nut
(33-11-0500)

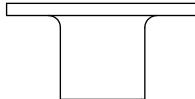
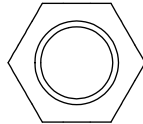
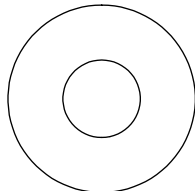
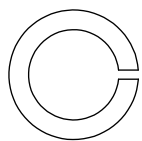
M8 Barrel Nut
(33-11-0501)

M10 Lock Washer
(33-11-0201)

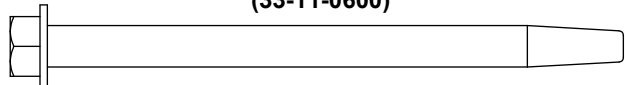
M10 Flat Washer
(33-11-0200)

M10 Lock Nut
(33-11-0400)

M10 T-Nut
(33-11-0402)



M5 x 76mm (3") Self-tapping Screw
(33-11-0600)



Issued/Revised: 04/15/13

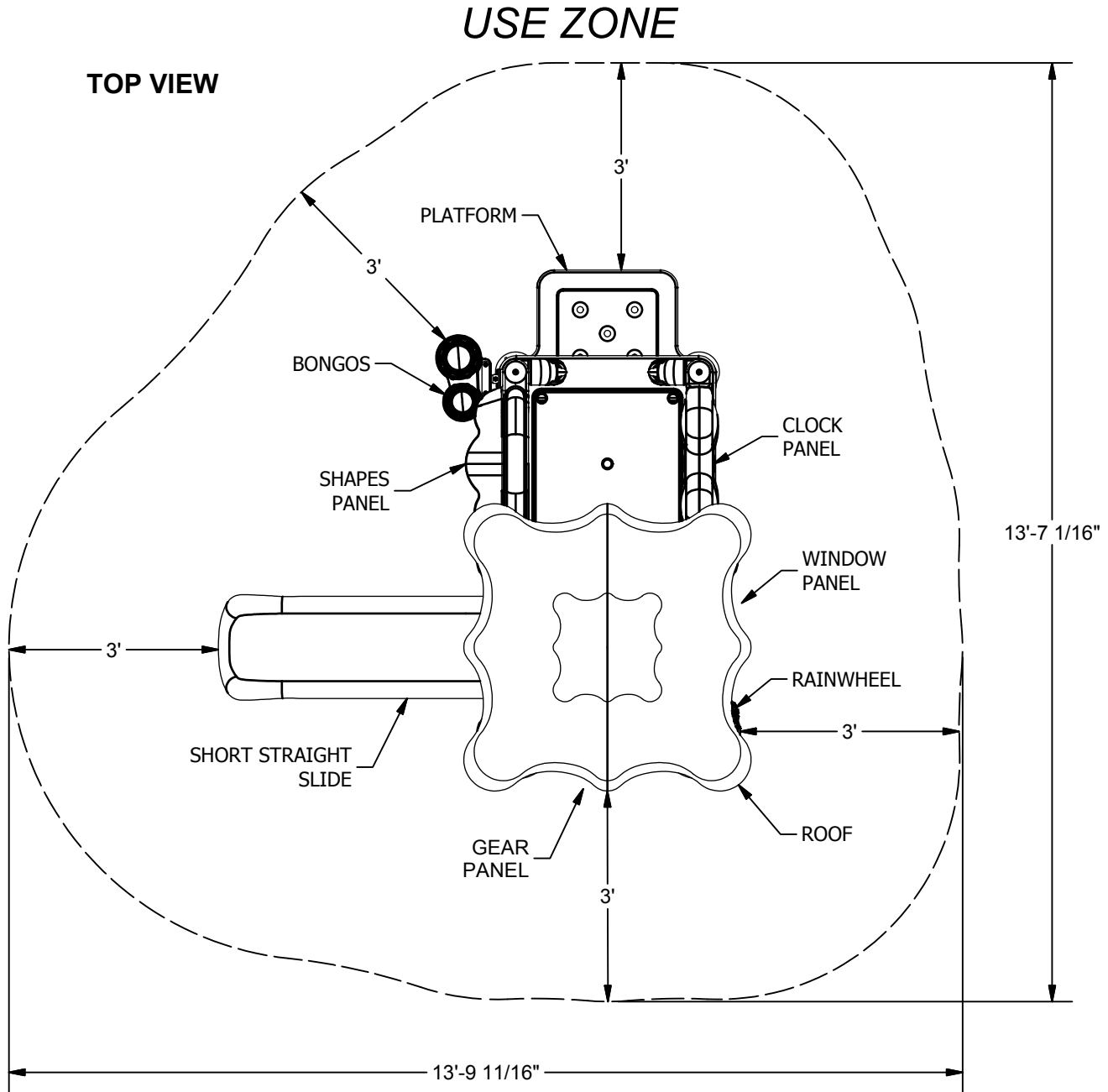


A PLAYCORE Company

800.458.5872

www.ultraplay.com

15



MINIMUM USE ZONE* REQUIRED

**The USE ZONE is the area beneath and immediately adjacent to a play structure or equipment that is designed for unrestricted circulation around the equipment and on whose surface it is predicted that a user would land when falling from or exiting the equipment.*

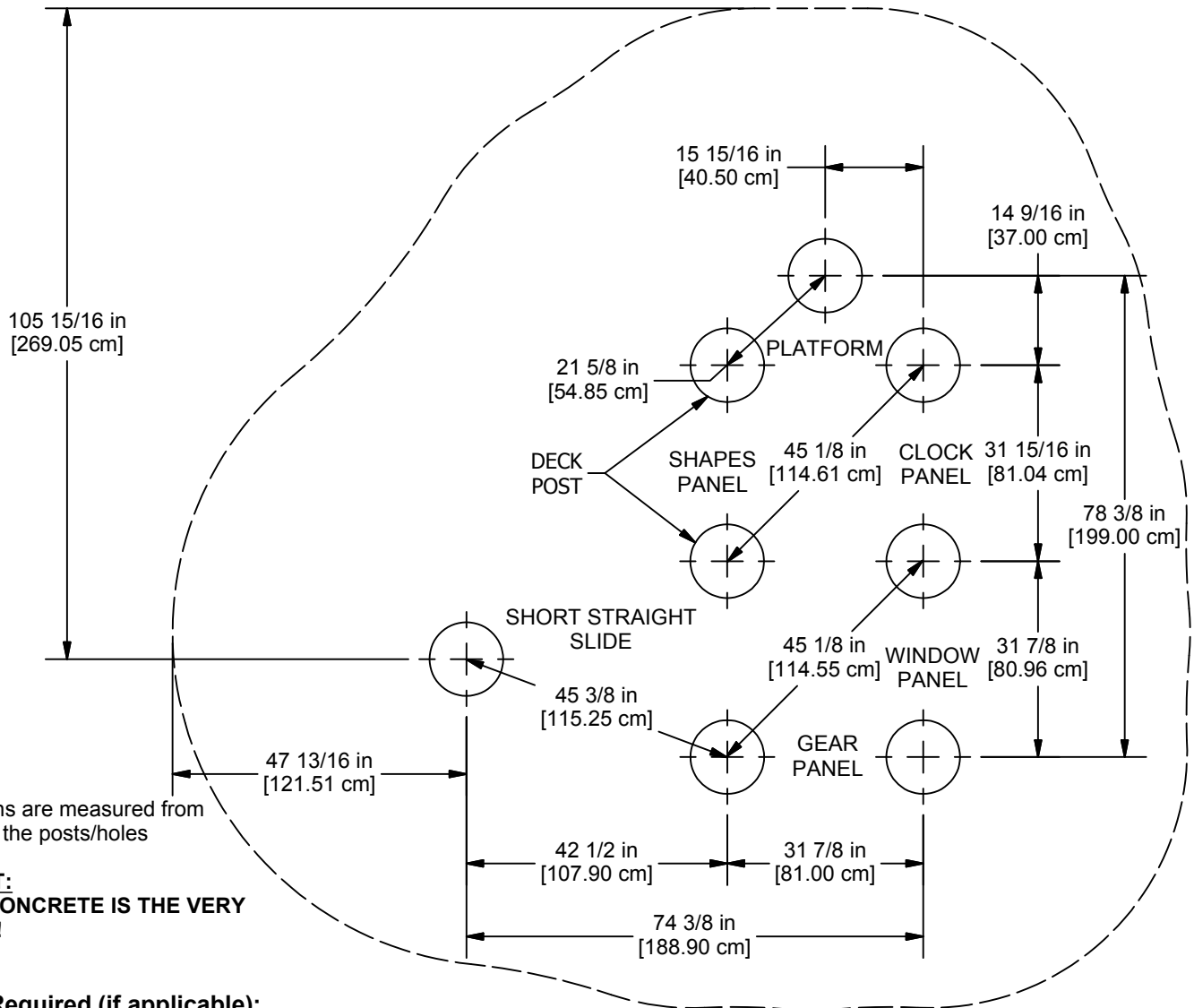
NOTE:

Equipment shall be positioned to eliminate conflicting traffic patterns. As a general rule, allow at least 3' of freespace around the entire structure.

IMPORTANT: Never install play equipment over hard, unresilient surfaces such as asphalt, concrete, or compacted earth. It is the owner's responsibility to ensure the "minimum area required" contains an appropriate amount of resilient material to cushion accidental falls.

Issued/Revised: 04/15/13

USE ZONE WITH POST PLACEMENT/HOLE LOCATIONS



NOTE:
All dimensions are measured from the center of the posts/holes

IMPORTANT:
POURING CONCRETE IS THE VERY LAST STEP!

Concrete Required (if applicable):
Approx: .232 Cubic Yards (.176 Cubic Meters)
NOTE: Suggested Min. concrete rating: 3000PSI

IMPORTANT: Never install play equipment over hard, unresilient surfaces such as asphalt, concrete, or compacted earth. It is the owner's responsibility to ensure the "minimum area required" contains an appropriate amount of resilient material to cushion accidental falls.

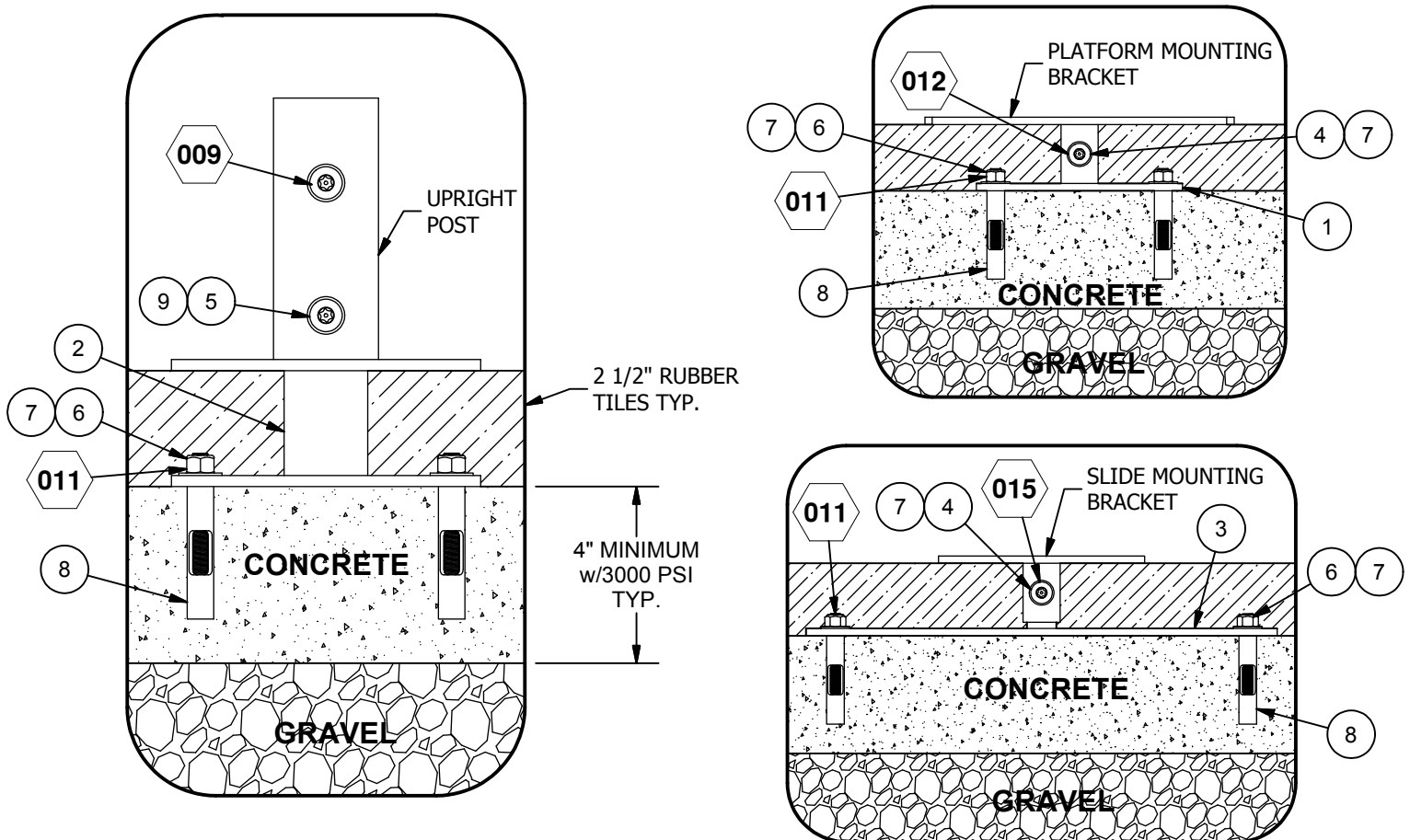
Placement for 12" Diameter x 12" Deep Holes for In-ground installation

1. Review Use Zone. Mark the placement of one Deck Post. Any of the (6) may be used.
NOTE: Survey flags may be used to mark the placement of each hole.
2. Measure from first Deck Post to mark the position of the remaining (5) posts. Check for squareness using the 45-1/8" diagonal dimension.
NOTE: All remaining dimensions are based off of the Deck Post placement.
3. Measure from the center of a Deck Post using the dimensions provided for each remaining hole.

Issued/Revised: 04/15/13

FOOTING DETAIL - SURFACE MOUNT (02-08-0166)

Parts List Footing Package -for- Seeding Surface Mount (02-08-0166)			
ITEM	DESCRIPTION	QTY	PART NUMBER
1	FOOTER PLATE	1	02-08-0122
2	FOOTBUCK ASSEMBLY	6	02-08-0139
3	SLIDE SURFACE MOUNT BRACKET	1	02-08-0155
4	M10 x 35mm (1 3/8") BHCS BOLT	2	33-11-0005
5	M10 x 50mm (2") BHCS BOLT	12	33-11-0010
6	M10 FLATWASHER	16	33-11-0200
7	M10 LOCK NUT	18	33-11-0400
8	CONCRETE ANCHOR	16	33-11-0706
9	M10 T-NUT	12	33-11-0402

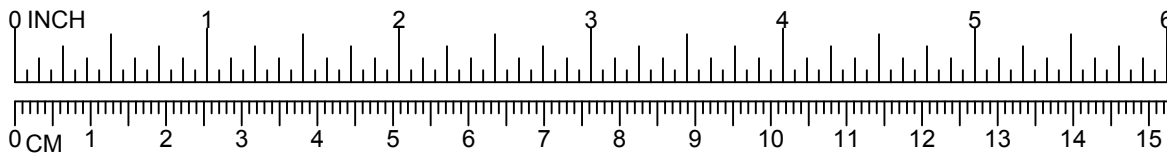


IMPORTANT: Never install paly equipment over hard, unresilient surfaces such as asphalt, concrete, or compacted earth. It is the owner's responsibility to ensure the "minimum area required" contains an appropriate amount of resilient material to cushion accidental falls.

SITE PREPARATION

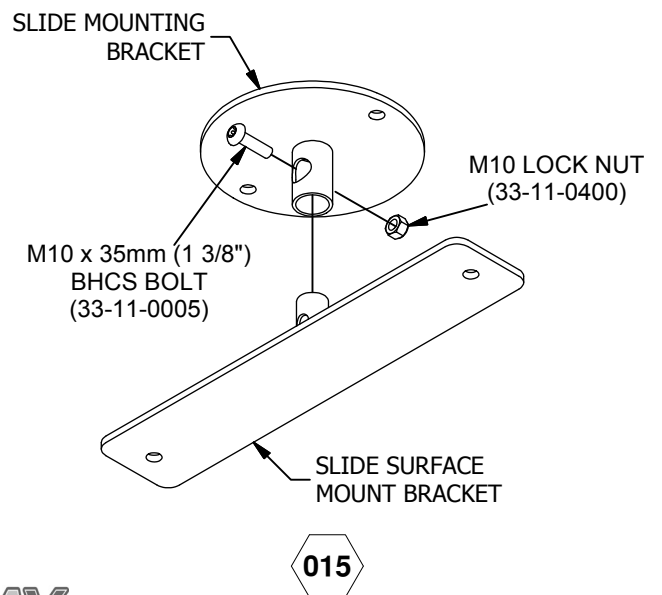
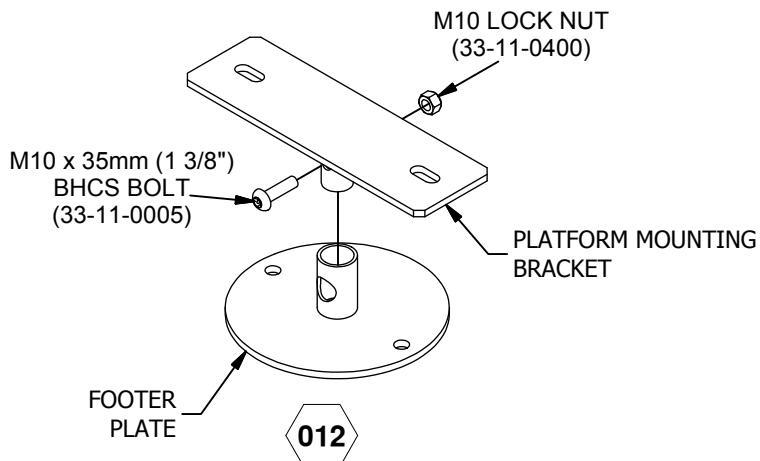
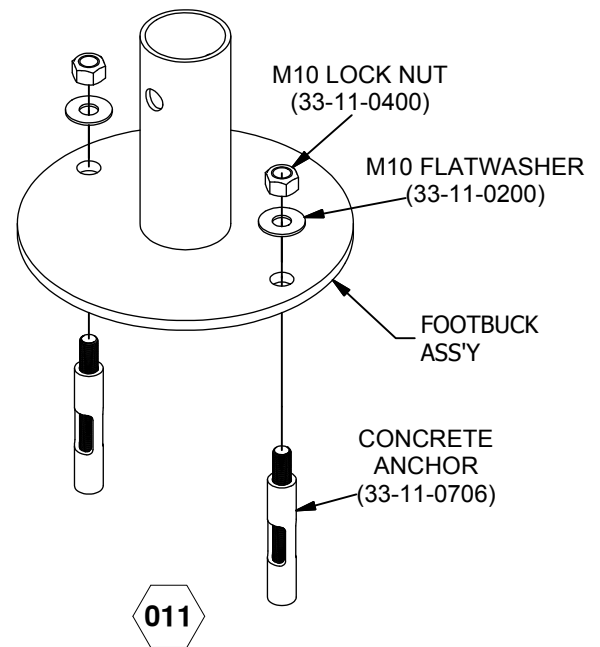
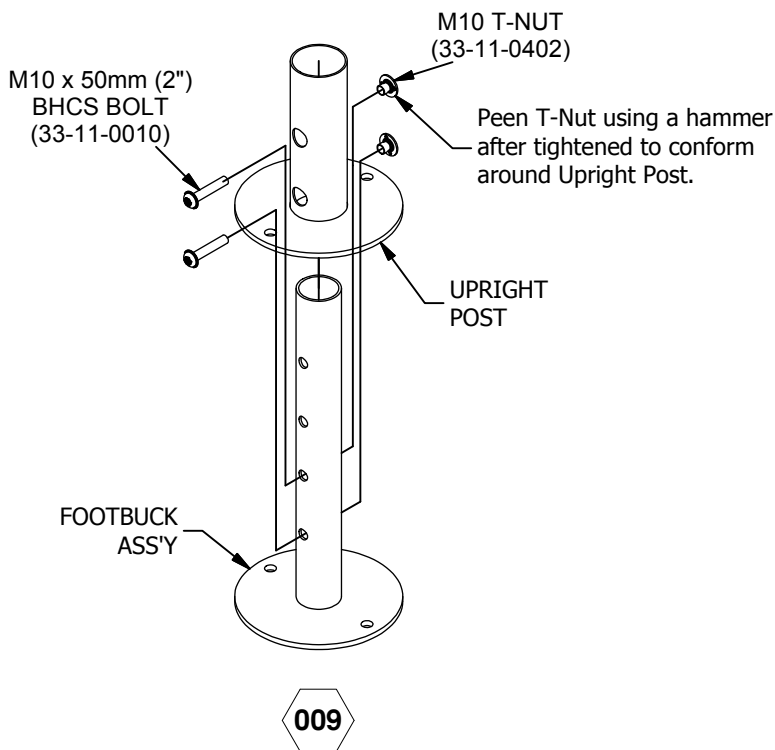
Clear area of any debris an level surface. Equipment is designed to be installed on a level surface

Issued/Revised: 04/15/13



FOOTING DETAIL - SURFACE MOUNT

1. Attach Upright Posts to Footbuck Ass'ys using M10 x 50mm B.H.C.S. and M10 T-Nut. Be sure to use the bottom two holes in Footbuck Ass'y. See Detail 009. Peen T-Nut using hammer to conform around Upright Post.
2. Attach Platform Mounting Bracket to Footer Plate using M10 x 35mm B.H.C.S. and M10 Lock Nut. See Detail 012.
3. Attach Slide Mounting Bracket to Slide Surface Mount Bracket using M10 x 35mm B.H.C.S. and M10 Lock Nut. See Detail 015.
4. Continue assembling the unit. Refer to pages 24 to 44.
5. After unit is assembled using Footbuck Ass'ys and Footer Plates as template, mark hole position on concrete. Remove Footbuck Ass'y and Footer Plates and drill 3/8" Dia. x 2" deep holes into concrete to receive anchor.
6. Attach Footbuck Ass'ys and Footer Plates to concrete using Concrete Anchor, M10 Flat Washer, and M10 Lock Nut. See Detail 011.



Issued/Revised: 04/15/13

ultraPLAY

A PLAYCORE Company

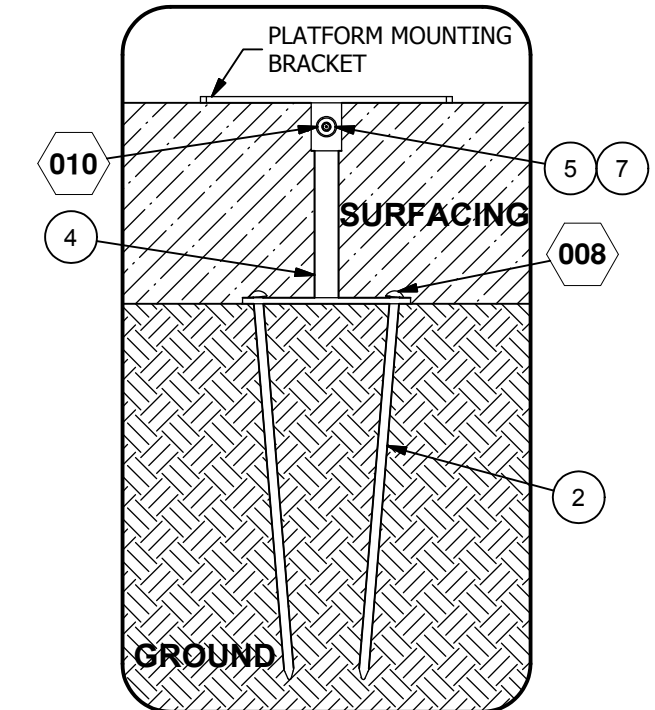
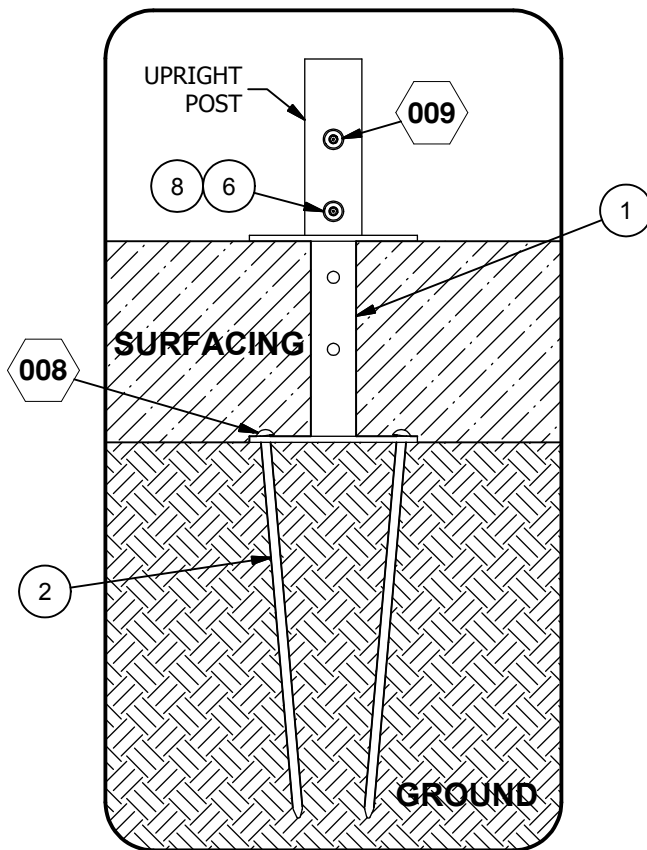
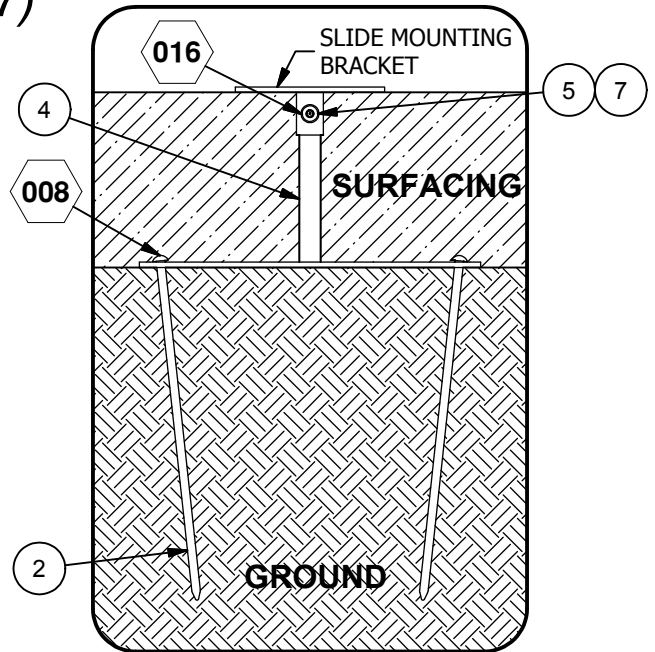
800.458.5872

www.ultraplay.com

19

FOOTING DETAIL - ONGROUND (02-08-0167)

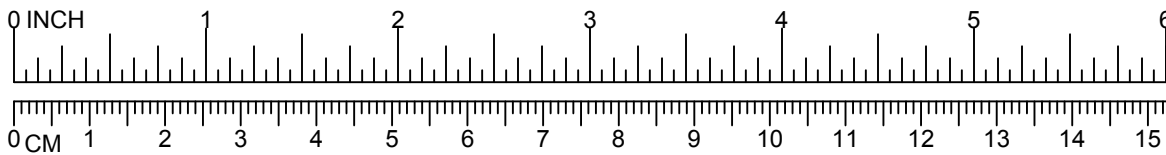
Parts List Footing Package -for- Seedling Onground (02-08-0167)			
ITEM	DESCRIPTION	QTY	PART NUMBER
1	FOOTBUCK ASSEMBLY	6	02-08-0139
2	GROUND SPIKE	16	02-08-0125
3	SLIDE ON-GROUND BRACKET	1	02-08-0156
4	PLATFORM ONGROUND BRACKET	1	02-08-0161
5	M10 x 35mm (1 3/8") BHCS BOLT	2	33-11-0005
6	M10 x 50mm (2") BHCS BOLT	12	33-11-0010
7	M10 LOCK NUT	2	33-11-0400
8	M10 T-NUT	12	33-11-0402



IMPORTANT: Never install paly equipment over hard, unresilient surfaces such as asphalt, concrete, or compacted earth. It is the owner's responsibility to ensure the "minimum area required" contains an appropriate amount of resilient material to cushion accidental falls.

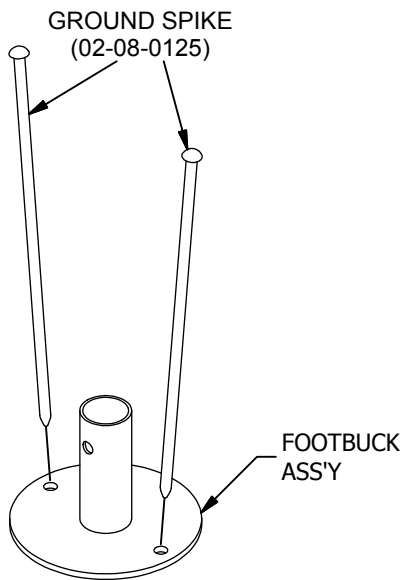
SITE PREPARATION

Clear area of any debris an level surface. Equipment is designed to be installed on a level surface
Issued/Revised: 04/15/13

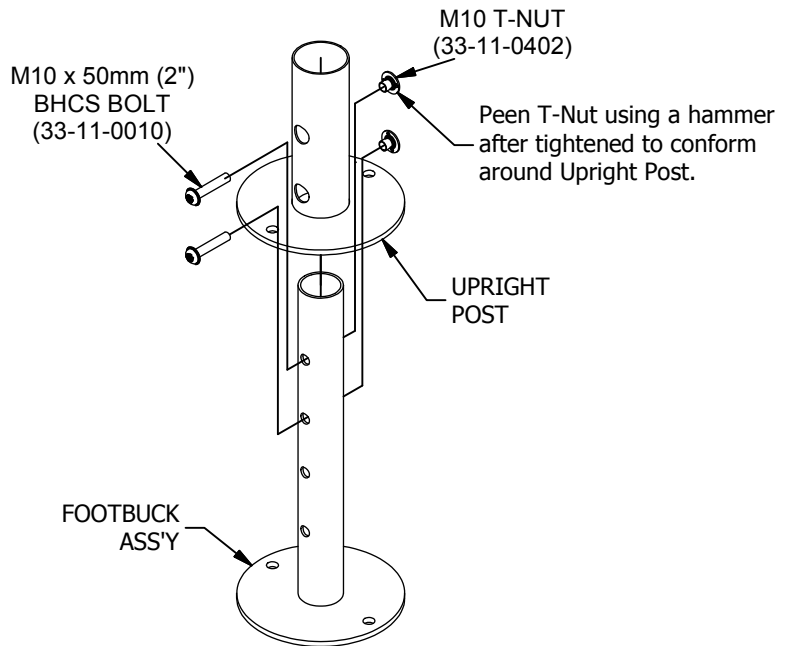


FOOTING DETAIL - ONGROUND

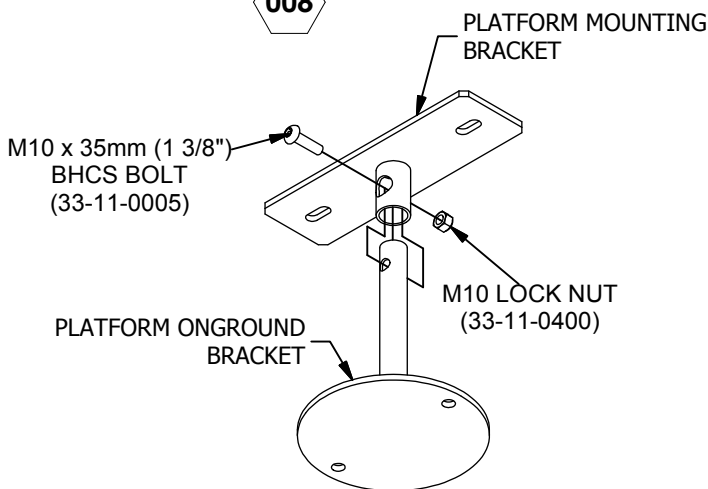
1. Attach Upright Posts to Footbuck Ass'ys using M10 x 50mm B.H.C.S. and M10 T-Nut. Making sure to use the top two holes in Footbuck Ass'y. See Detail 009. Peen T-Nut using hammer to conform around Upright Post.
2. Attach Platform Mounting Bracket to Platform Onground Bracket using M10 x 35mm B.H.C.S. and M10 Lock Nut. See Detail 010.
3. Attach Slide Mounting Bracket to Slide Onground Bracket using M10 x 35mm and M10 Lock Nut . See Detail 016.
4. Continue to assembling unit. Refer to 24 to 44.
5. With Footbuck Ass'ys and Platform Onground Bracket in position, secure each Footbuck Ass'y and Platform Onground Bracket to the ground using Ground Spikes. NOTE: A 4lb. hammer may be required to drive spikes into the ground. Install ground spikes angled inward as shown in illustration. See Detail 008. **IMPORTANT:** Refer to Post Placement/Hole Locations diagram to mark locations of Footbuck Ass'ys and Platform Onground Bracket.



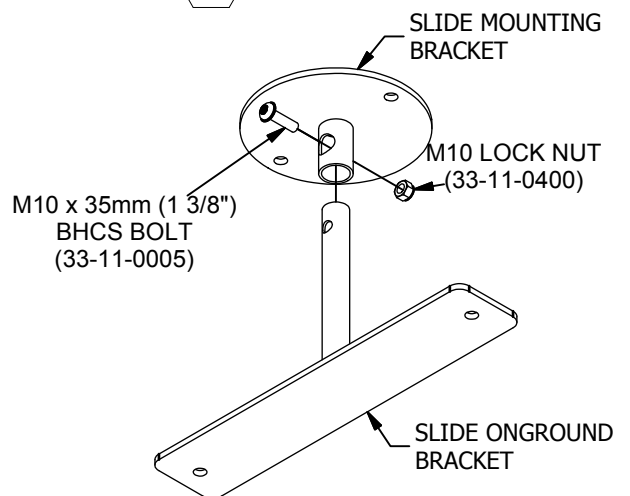
008



009



010



016

Issued/Revised: 04/15/13

ultraPLAY

A PLAYCORE Company

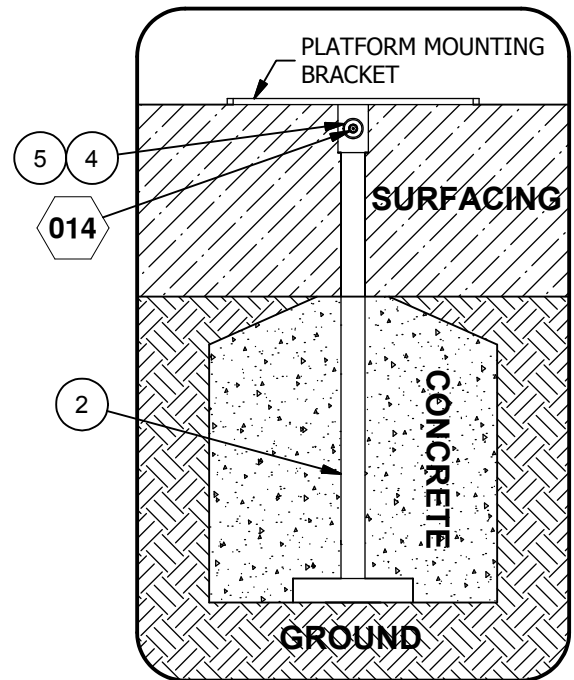
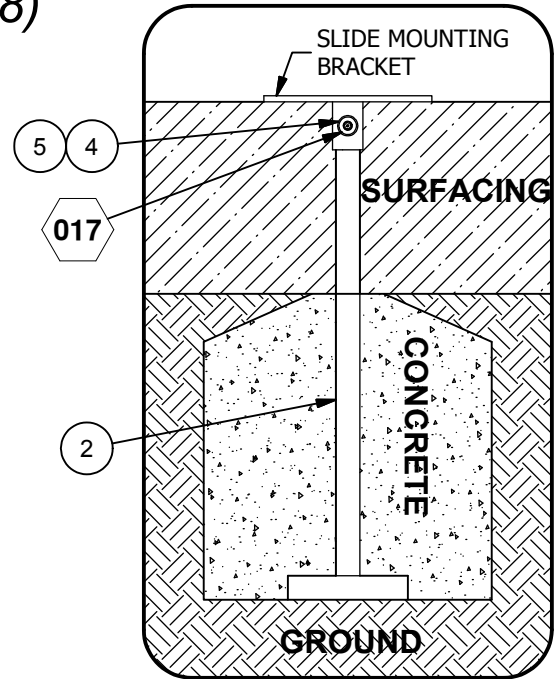
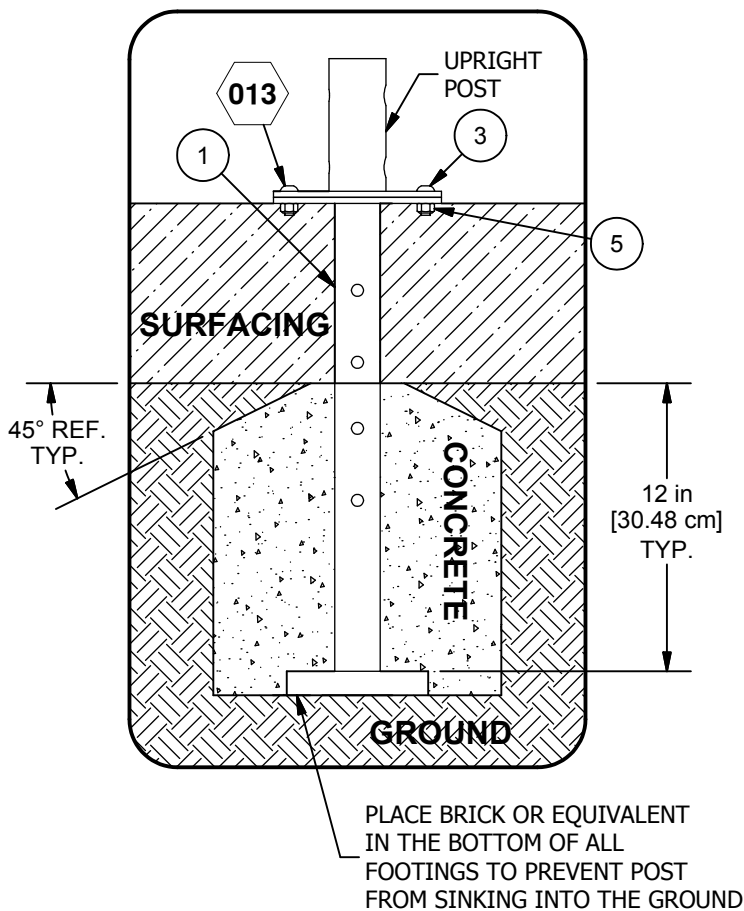
800.458.5872

www.ultraplay.com

21

FOOTING DETAIL - IN-GROUND (02-08-0168)

Parts List Footing Package -for- Seedling Inground (02-08-0168)			
ITEM	DESCRIPTION	QTY	PART NUMBER
1	FOOTBUCK ASSEMBLY	6	02-08-0139
2	FOOTBUCK	2	02-08-0162
3	M10 x 25mm (1") BHCS BOLT	12	33-11-0003
4	M10 x 35mm (1 3/8") BHCS BOLT	2	33-11-0005
5	M10 LOCK NUT	14	33-11-0400

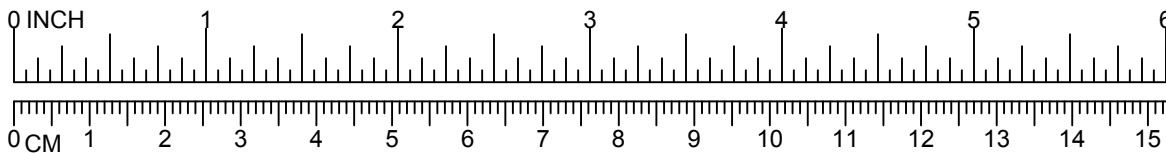


IMPORTANT: Never install paly equipment over hard, unresilient surfaces such as asphalt, concrete, or compacted earth. It is the owner's responsibility to ensure the "minimum area required" contains an appropriate amount of resilient material to cushion accidental falls.

SITE PREPARATION

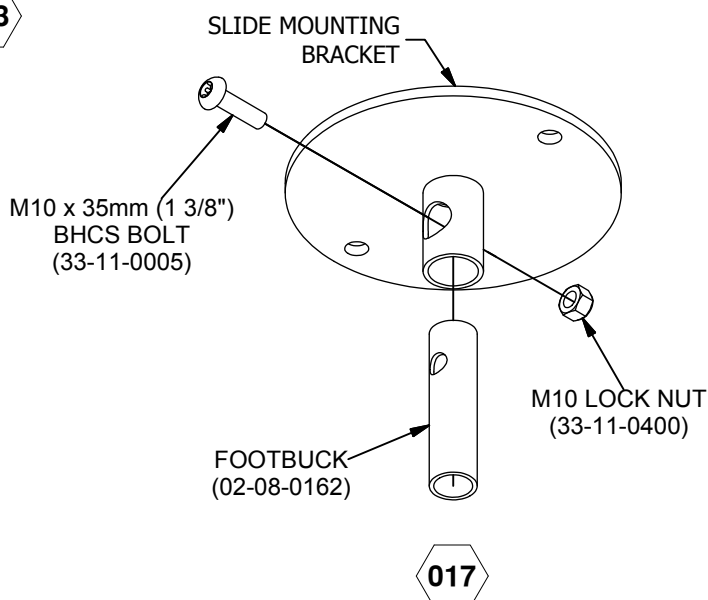
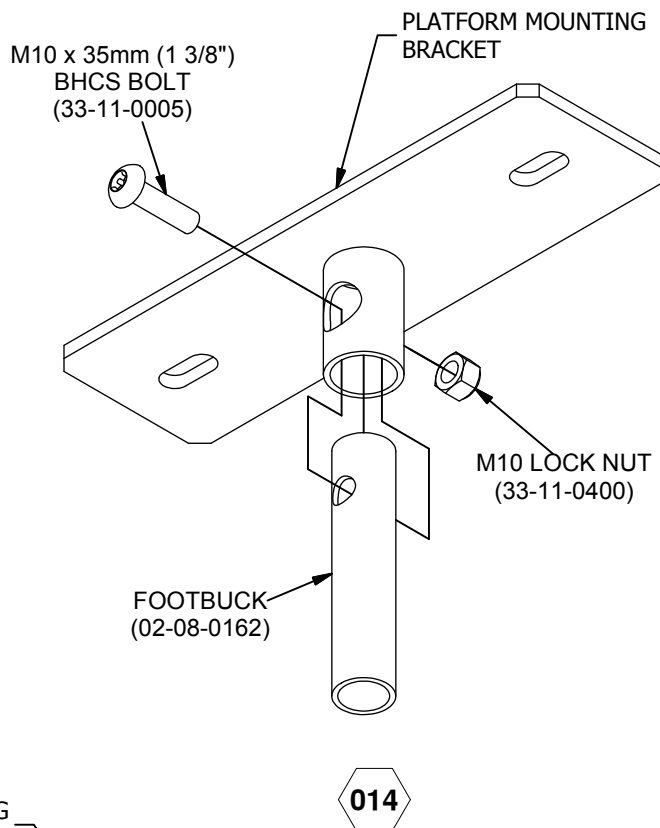
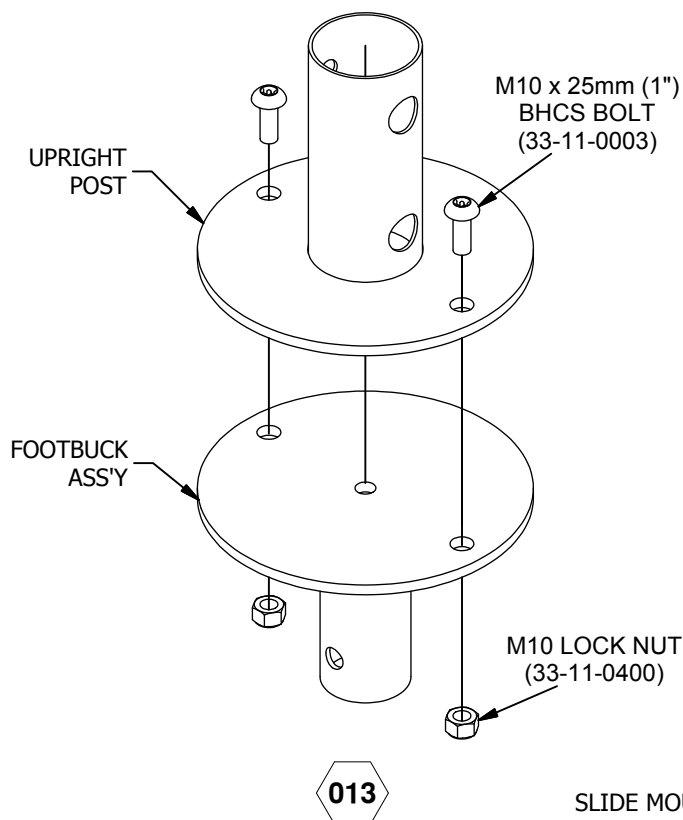
Clear area of any debris and level surface. Equipment is designed to be installed on a level surface

Issued/Revised: 04/15/13



FOOTING DETAIL - IN-GROUND

1. Attach Upright Post to Footbuck Ass'y using M10 x 25mm B.H.C.S. and M10 Lock Nut. Refer to page 17 for Hole/Footer location. See Detail 013.
2. Attach Platform Mounting Bracket to Footbuck using M10 x 35mm B.H.C.S. and M10 Lock Nut. See Detail 014.
3. Attach Slide Mounting Bracket to Footbuck using M10 x 35mm B.H.C.S. and M10 Lock Nut. See Detail 017.
4. Continue assembling unit before concreting in. Refer to pages 24 to 44. **IMPORTANT: POURING CONCRETE IS THE VERY LAST STEP!**



Issued/Revised: 04/115/13

ultraPLAY

A PLAYCORE Company

800.458.5872

www.ultraplay.com

23

DC-SEEDLING w/ROOF

Parts List		
DESCRIPTION	QTY	PART NUMBER
ROOF	1	02-08-0001
FOOTER COVER	8	02-08-0009
CLOCK PANEL	1	02-08-0011
SHAPES PANEL	1	02-08-0014
PLATFORM	1	02-08-0022
BONGOS	1	02-08-0025
RAINWHEEL	1	02-08-0026
POST CAP	2	02-08-0027
LOWER POST COVERS - 15.38"	2	02-08-0028
UPPER POST COVER 21.5" LG.	3	02-08-0034
GEAR PANEL w/ INSERTS	1	02-08-0046
LOWER POST COVERS - 7.5"	2	02-08-0050
90 DEGREE CONNECTOR	1	02-08-0100
BONGOS SUPPORT BRACKET	1	02-08-0103
BONGOS MOUNTING BRACKET	1	02-08-0104
PLATFORM MOUNTING BRACKET	1	02-08-0120
MOUNTING BAR	1	02-08-0126
RAINWHEEL MOUNTING BRACKET	1	02-08-0127
24" WAVY SLIDE	1	02-08-0138
HANDHOLD BRACKET	2	02-08-0140
UPRIGHT POST, 51 7/8" LG.	2	02-08-0141
HANDHOLD-EVEN	2	02-08-0143
SEEDLING DECK A w/ 4 INSERTS	1	02-08-0145
SEEDLING DECK B w/ 6 INSERTS	1	02-08-0146
WINDOW PANEL YELLOW	1	02-08-0147
CURVED LEAF CONNECTOR	2	02-08-0149
SLIDE MOUNTING BRACKET	1	02-08-0150
SLIDE HOOD w/ 5 INSERTS	1	02-08-0151
LOWER POST - 22 11/16" LG.	4	02-08-0152
UPPER POST COVER 28.88" w/ INSERTS	1	02-08-0154
UPPER POST - 60" LG.	4	02-08-0160
HARDWARE COMPLETE	1	33-13-0108
YELLOW PLASTIC CAP	1	02-08-0037
RAINWHEEL BUSHING	1	02-08-0128
PLASTIC SPACER	1	02-08-0129
M5 x 76mm (3") SELF-TAPPING SCREW	4	33-11-0600
M8 x 20mm (3/4") BHCS BOLT	2	33-11-0102
M8 x 25mm (1") BHCS BOLT	2	33-11-0103
M8 x 40mm (1 9/16") BHCS BOLT	8	33-11-0106
M8 x 50mm (2") BHCS BOLT	2	33-11-0114
M8 FLATWASHER	17	33-11-0300
M8 LOCK NUT	4	33-11-0500
M8 BARREL NUT	9	33-11-0501

Issued/Revised: 04/15/13

DC-SEEDLING w/ROOF

Parts List		
DESCRIPTION	QTY	PART NUMBER
M10 x 25mm (1") BHCS BOLT	18	33-11-0003
M10 x 50mm (2") BHCS BOLT	2	33-11-0010
M10 x 60mm (2 3/8") BHCS BOLT	2	33-11-0007
M10 FLATWASHER	14	33-11-0200
M10 LOCKWASHER	13	33-11-0201
M12 LOCKWASHER	14	33-11-0203
RIVET	1	33-11-0700

*Unless Otherwise Specified, All Units of Measure are Each
Items listed below Hardware Complete line are included with Hardware Complete Number*

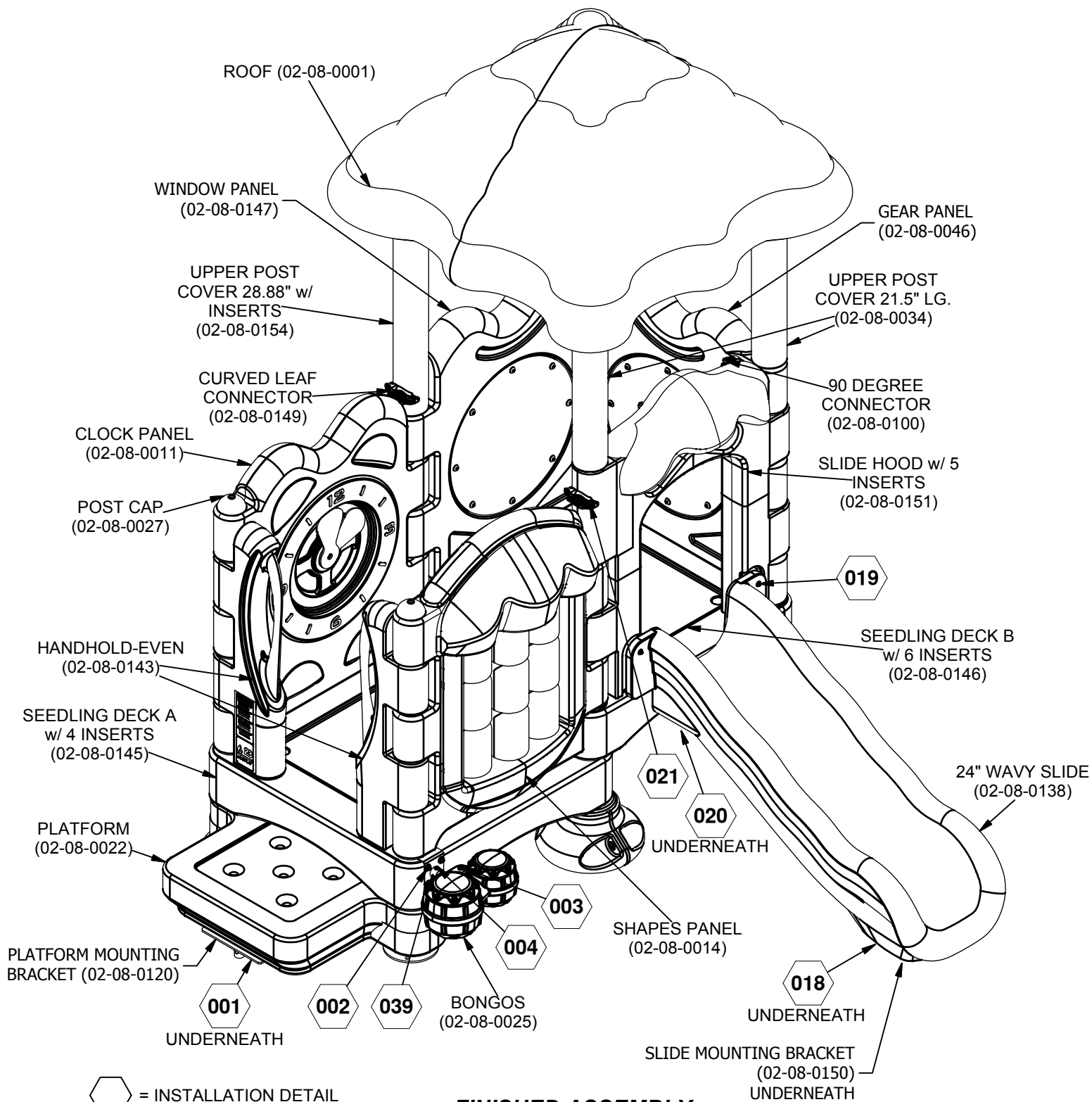
Warning: During Installation, Hardware And Small Parts Are Choking Hazards For Young Children. Store Unused Parts Appropriately Until Assembly Is Completed. Once Assembly Is Completed, Remove Any Unused Parts From The Play Environment And Dispose/Save Them In A Secure Location. Any bolt end protruding more than two full threads beyond the face of the nut causes risk of clothing entanglement.

Promptly cut-off flush, file smooth, and treat to prevent corrosion.

Note: Peen Tee-Nuts and Flatwashers to match radius of pipe after assembly is complete.

Note: Loctite (supplied by others) should be used on any non-patch hardware.

DC-SEEDLING w/ROOF



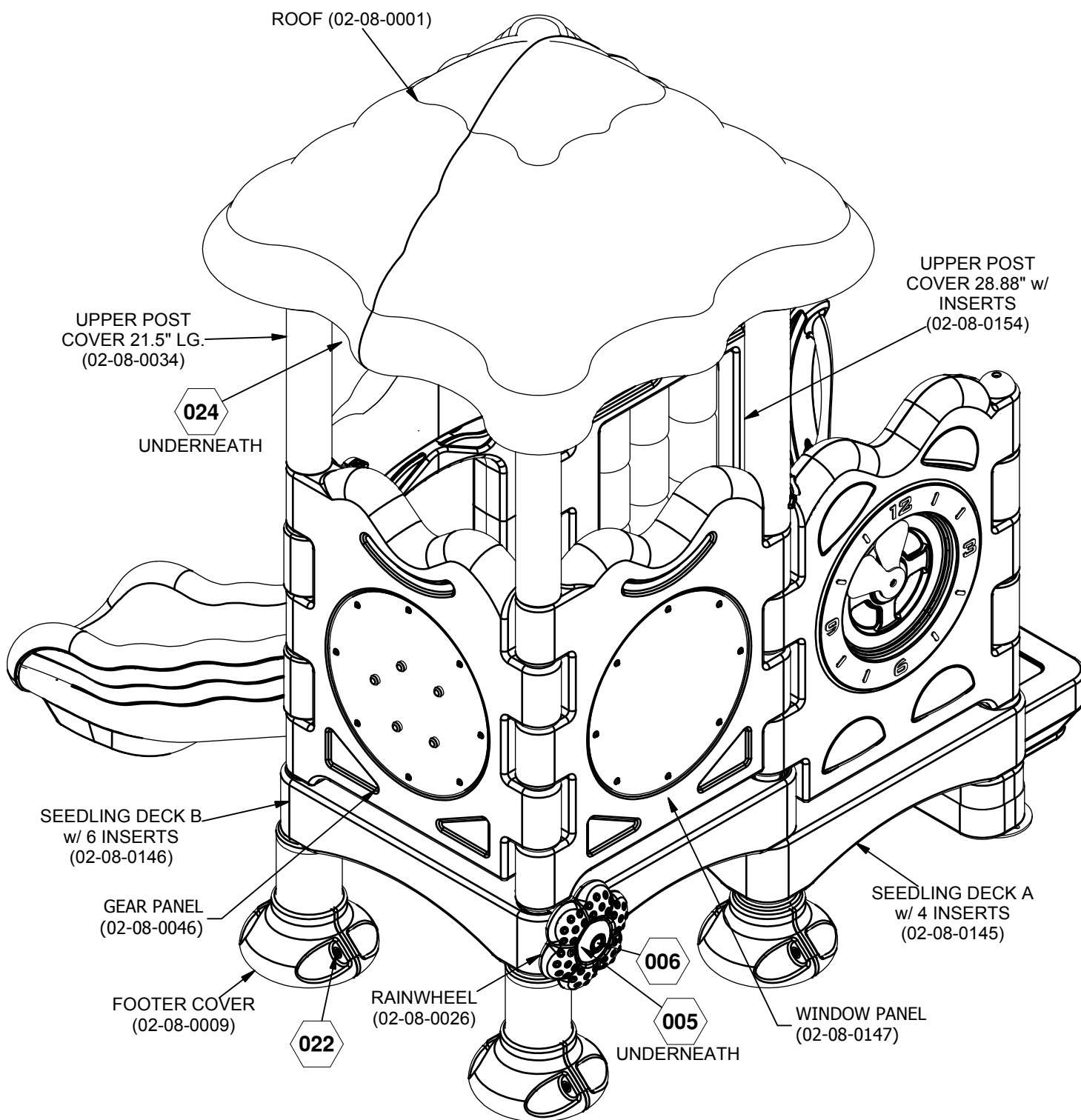
FINISHED ASSEMBLY

Issued/Revised: 04/15/13

ultraPLAY

A PLAYCORE Company

DC-SEEDLING w/ROOF



FINISHED ASSEMBLY

Issued/Revised: 04/15/13

⬡ = INSTALLATION DETAIL

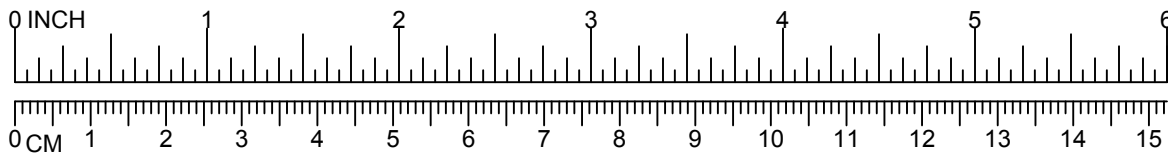
ultraPLAY

A PLAYCORE Company

800.458.5872

www.ultraplay.com

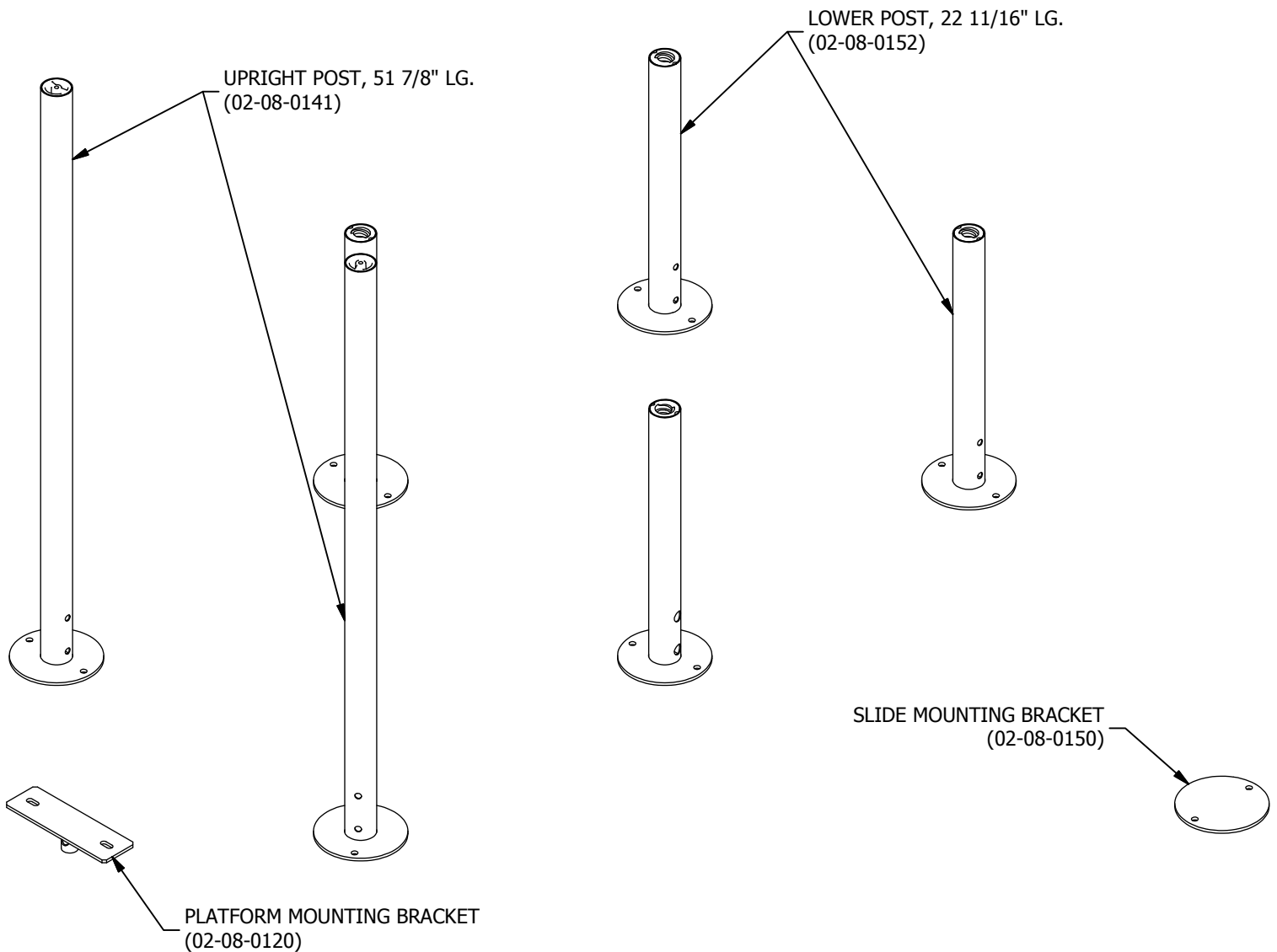
27



DC-SEEDLING w/ROOF STEP 1

1. Determine the mounting option being installed.
2. Place Footbucks and Upright Posts in correct location according to the top view.

IMPORTANT: Depending on mounting options: surface mount, in-ground, or on-ground, footing plates must be installed at this time. Refer to pages 17-23.



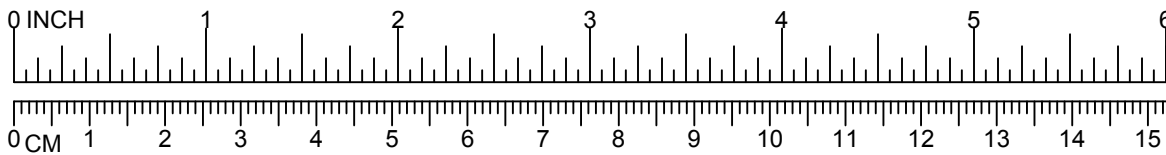
Issued/Revised: 04/15/13

800.458.5872

ultraPLAY
A PLAYCORE Company

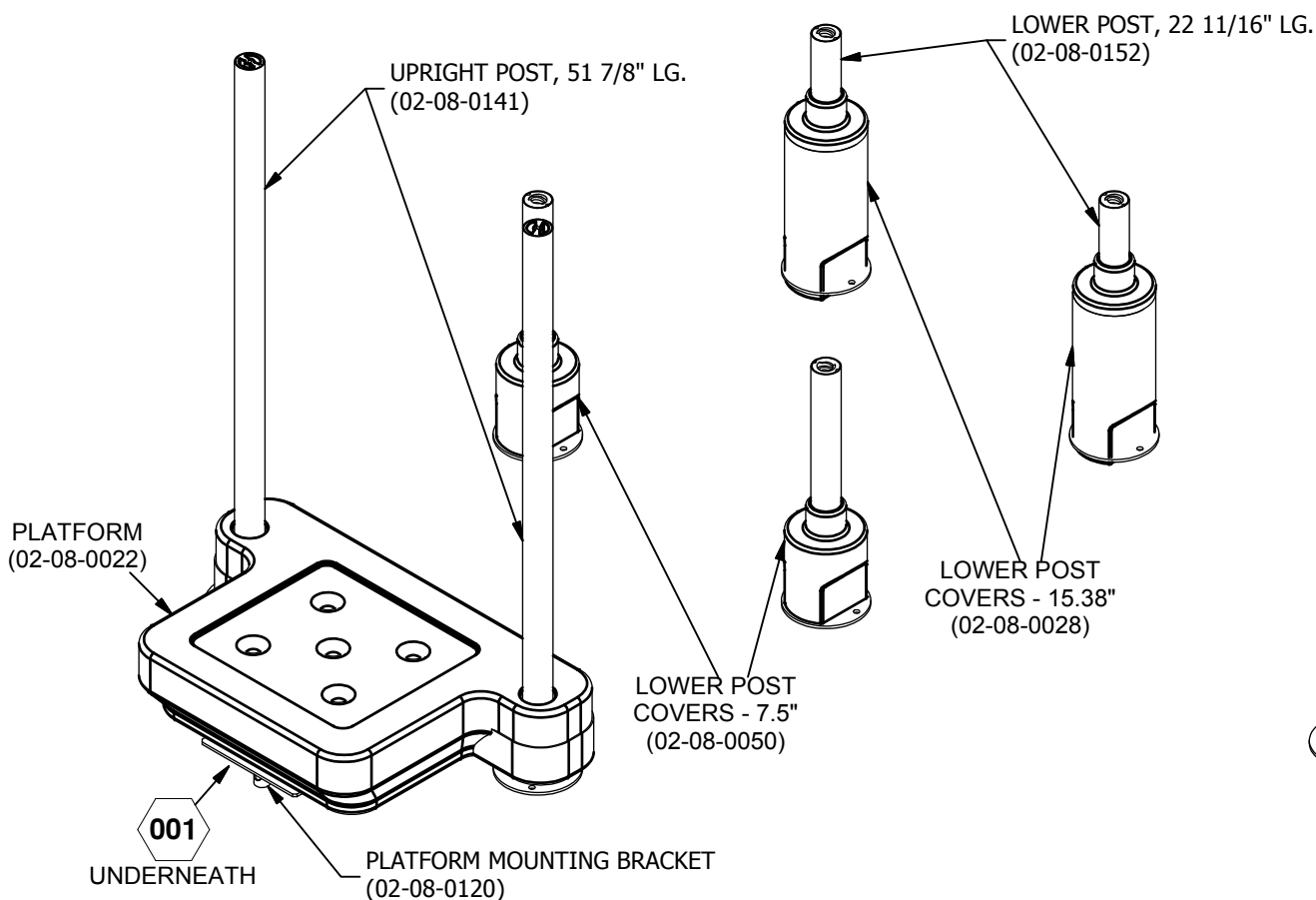
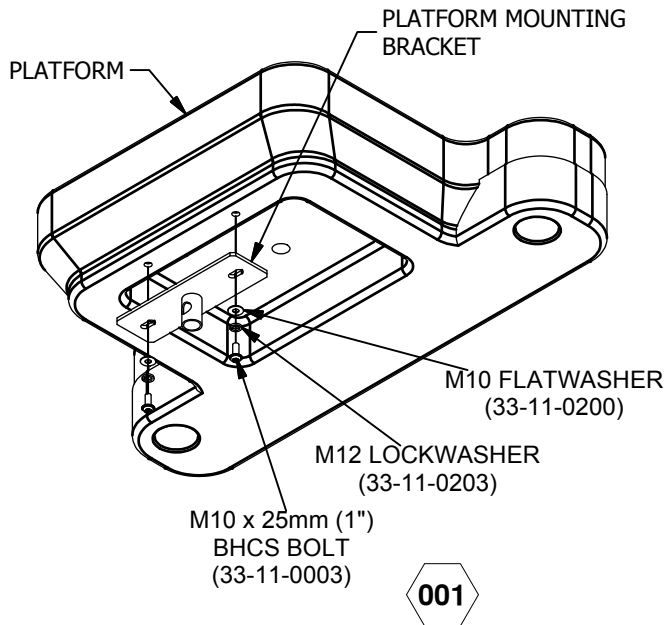
www.ultraplay.com

28



DC-SEEDLING w/ROOF STEP 2

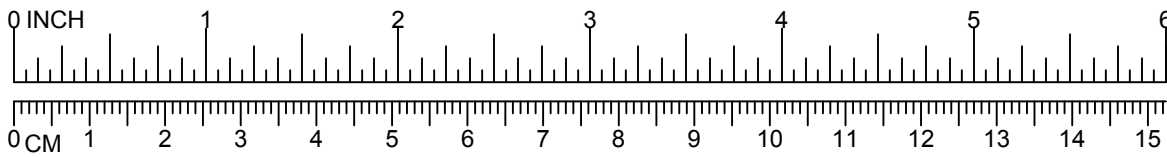
1. Attach Platform Mounting Brackets to Platforms using M10 x 25mm B.H.C.S., M12 Lockwasher, and M10 Flat Washer. See Detail 001.
2. Slide Platform onto Upright Posts.
3. Slide Lower Post Covers onto Lower Posts.



Issued/Revised: 04/15/13

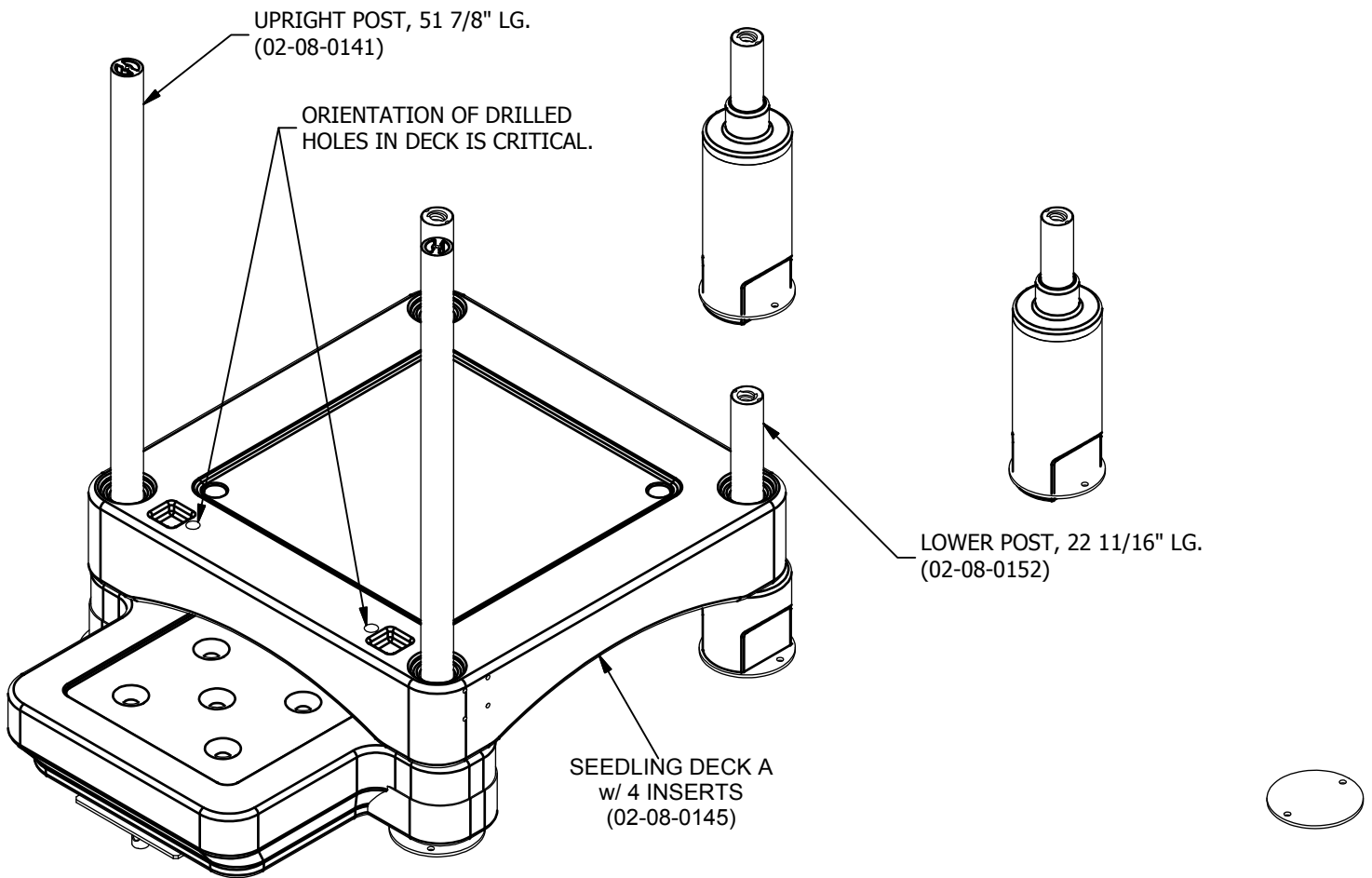


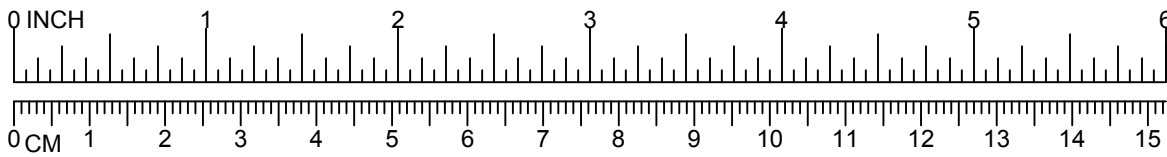
A PLAYCORE Company



DC-SEEDLING w/ROOF STEP 3

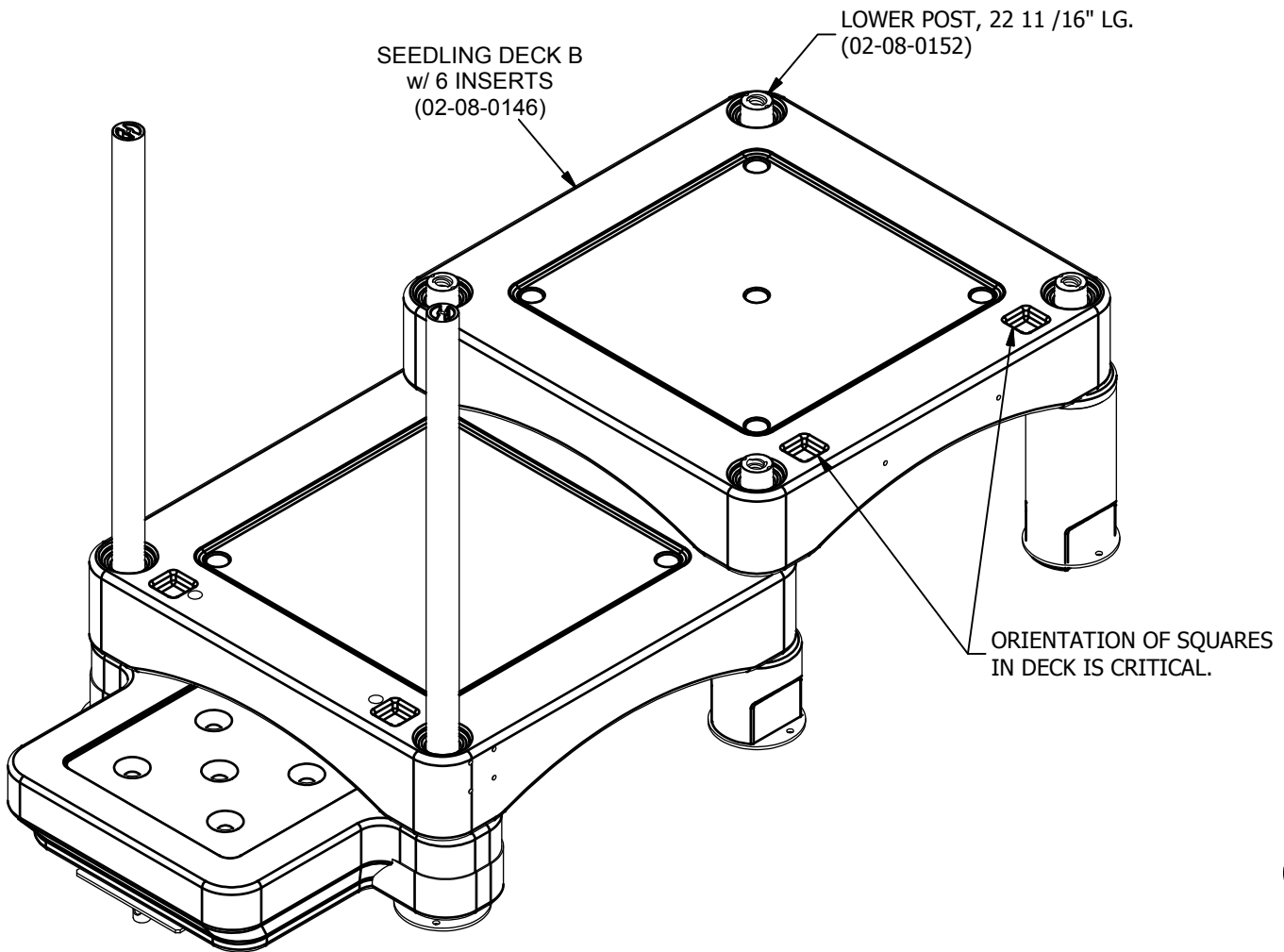
1. Slide Seedling Deck A onto Upright Posts and Lower Posts. **IMPORTANT:** Orientation of drilled holes in deck is critical.

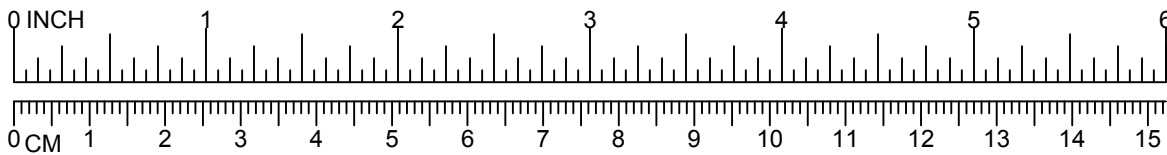




DC-SEEDLING w/ROOF STEP 4

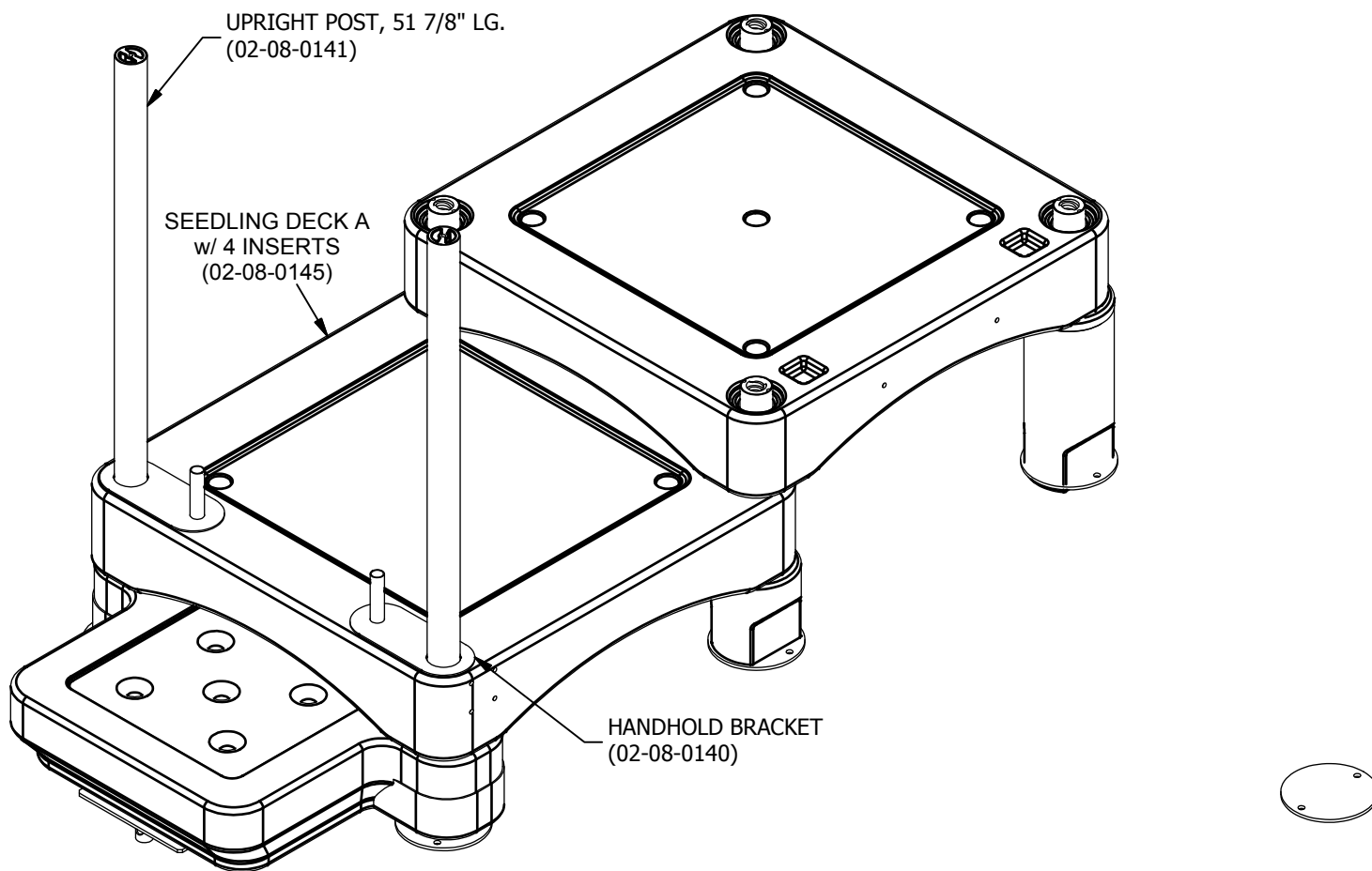
1. Slide Seedling Deck B onto Lower Posts. **IMPORTANT:** Orientation of squares in deck is critical.

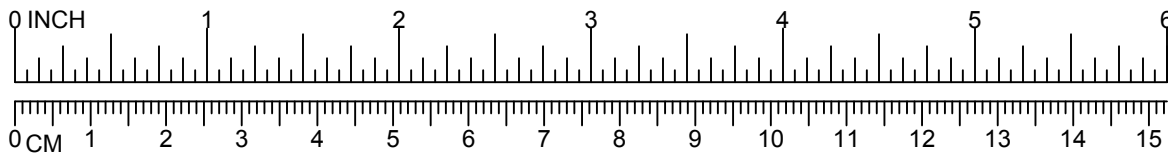




DC-SEEDLING w/ROOF STEP 5

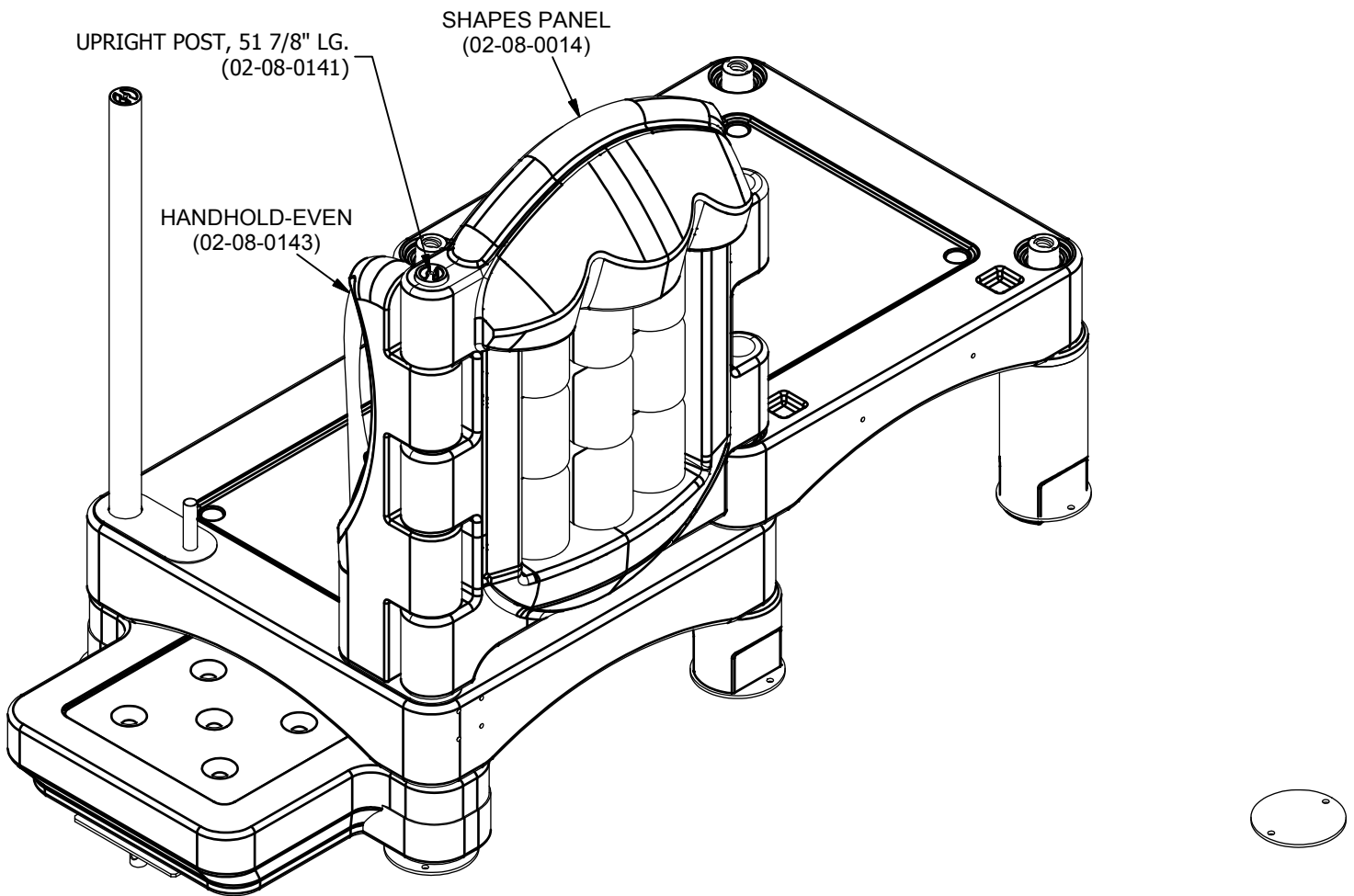
1. Slide Handhold Brackets over Upright Posts. Making sure the pipe of the Handhold Bracket is aligned with the hole in the Deck.

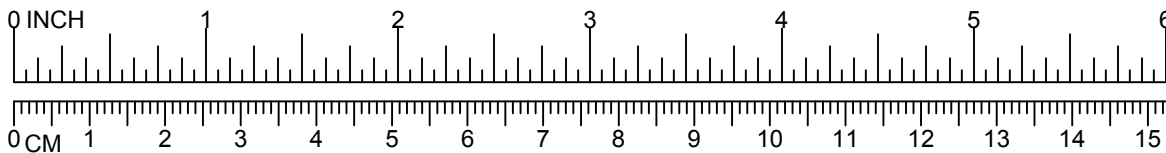




DC-SEELDING w/ROOF STEP 6

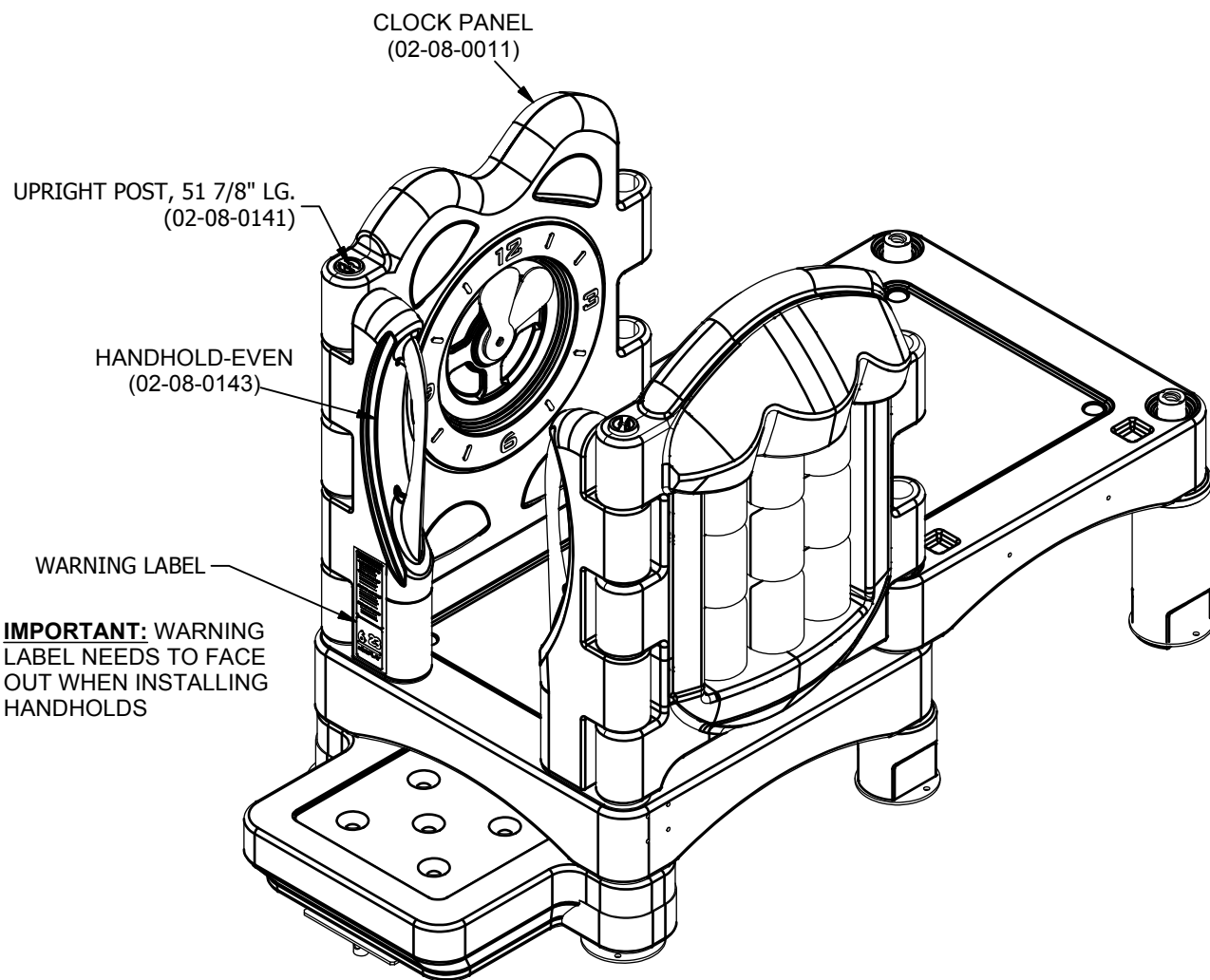
1. Slide Shapes Panel and Handhold-Even on to Upright Posts. Making sure that the pipe on the Handhold Brackets is inserted into the bottom holes of the Handholds correctly. **IMPORTANT:** Panels and Handholds must slide over Upright Post simultaneously.





DC-SEEDLING w/ROOF STEP 7

1. Slide Clock Panel and Handhold-Even on to Upright Posts. Making sure that the pipe on the Handhold Brackets is inserted into the bottom holes of the Handholds correctly. **IMPORTANT:** Panels and Handholds must slide over post simultaneously. Warning label needs to face out when installing Handholds.



Issued/Revised: 04/15/13

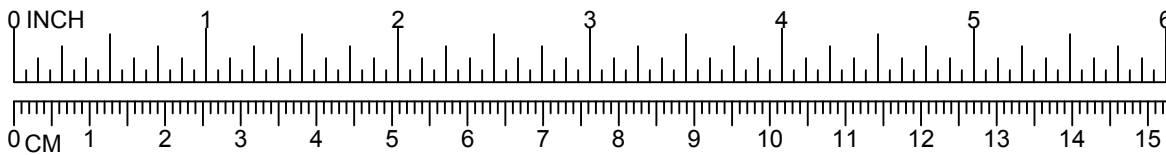
ultraPLAY

A PLAYCORE Company

800.458.5872

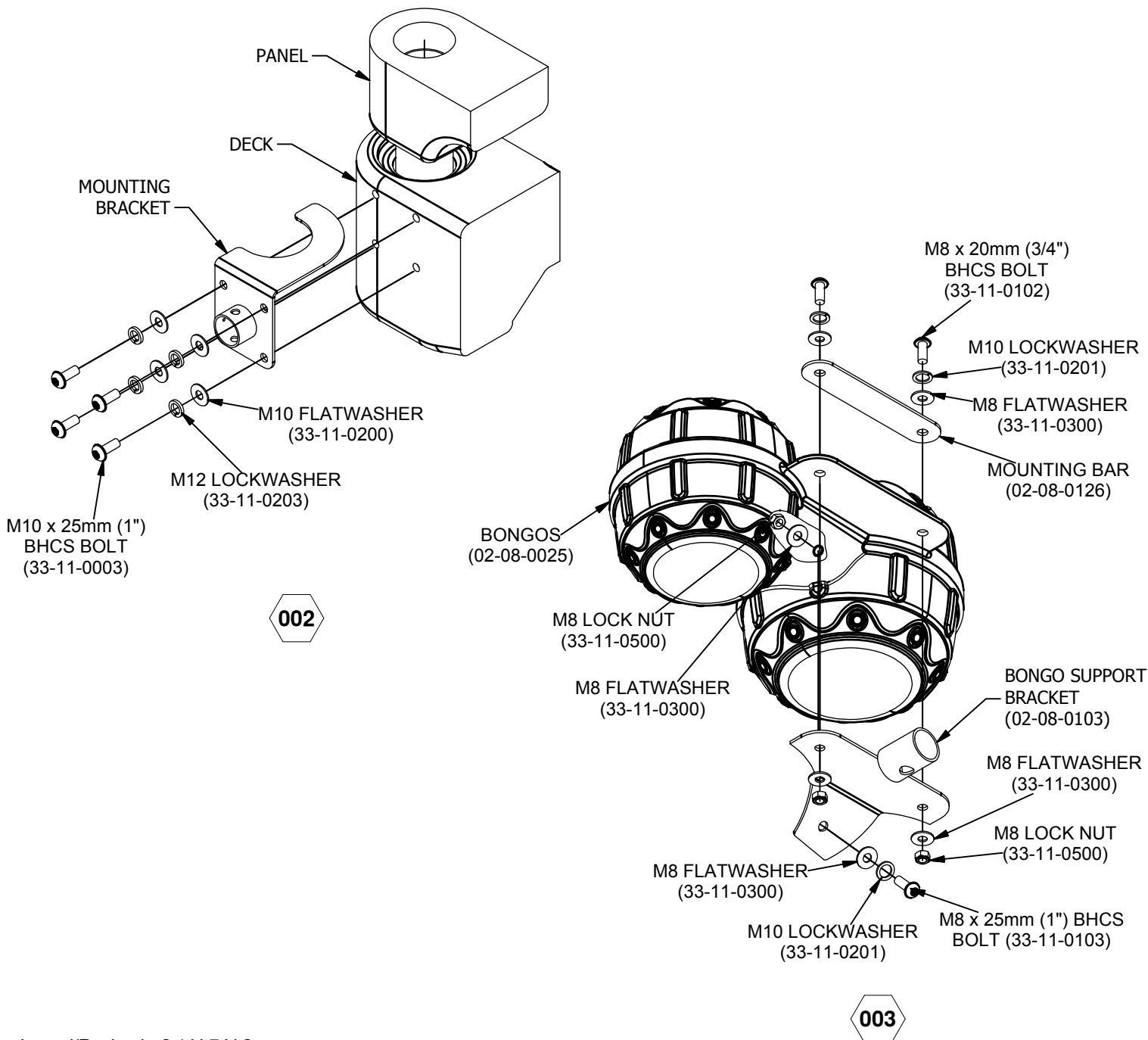
www.ultraplay.com

34



DC-SEEDLING w/ROOF STEP 8

1. Lift left side of Shapes Panel and slide Bongo Bracket under Shapes Panel.
2. Attach Bongo Mounting Bracket to Deck using M10 x 25mm B.H.C.S., M12 Lock Washer, and M10 Flat Washer. See Detail 002.
3. Attach Bongo to Bongo Support Bracket using Mounting Bar, M8 x 20mm B.H.C.S., M10 Lock Washer, M8 Flat Washer, and M8 Lock Nut. From underside of Bongo attach the Bongo Support Bracket using M8 x 25mm B.H.C.S., M10 Lock Washer, M8 Flat Washer, and M8 Lock Nut. See Detail 003.



Issued/Revised: 04/15/13

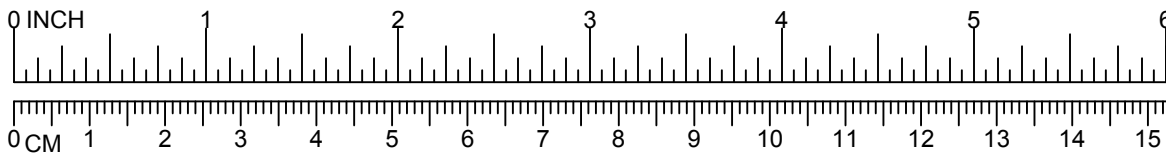
ultraPLAY

A PLAYCORE Company

800.458.5872

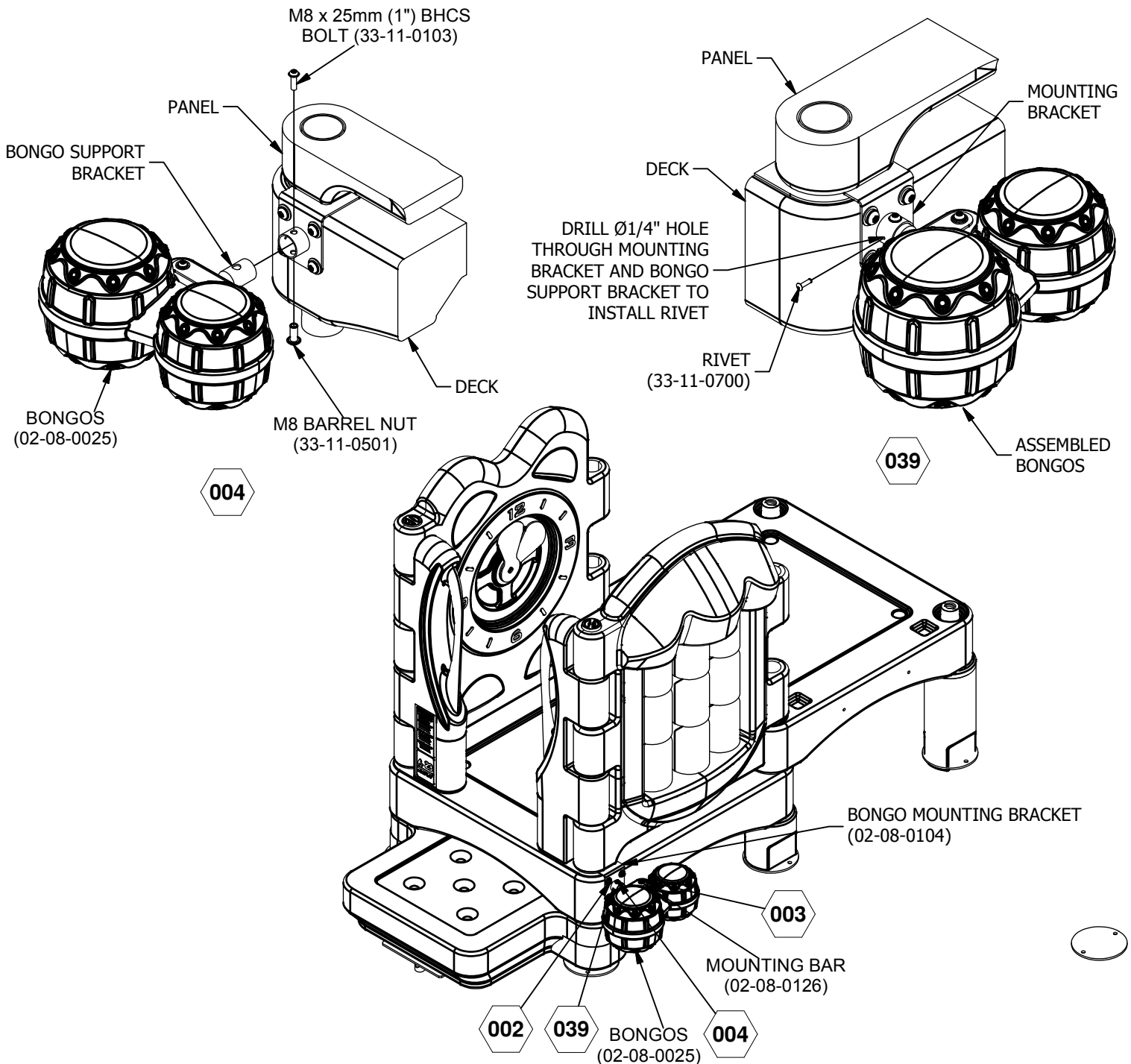
www.ultraplay.com

35



DC-SEEDLING w/ROOF STEP 8 CONT'D

4. Apply loctite adhesive to threads of bolt.
5. Attach Bongo Support Bracket to Bongo Bracket using M8 x 25mm B.H.C.S. and M8 Barrel Nut. See Detail 004.
6. Drill $\varnothing 1/4"$ hole through Mounting Bracket and Bongo Support Bracket to install Rivet. See Detail 039.



Issued/Revised: 04/15/13

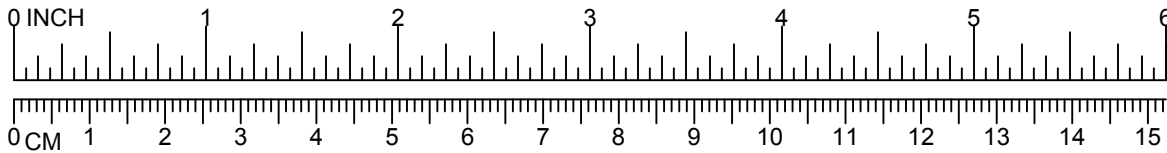
ultraPLAY

A PLAYCORE Company

800.458.5872

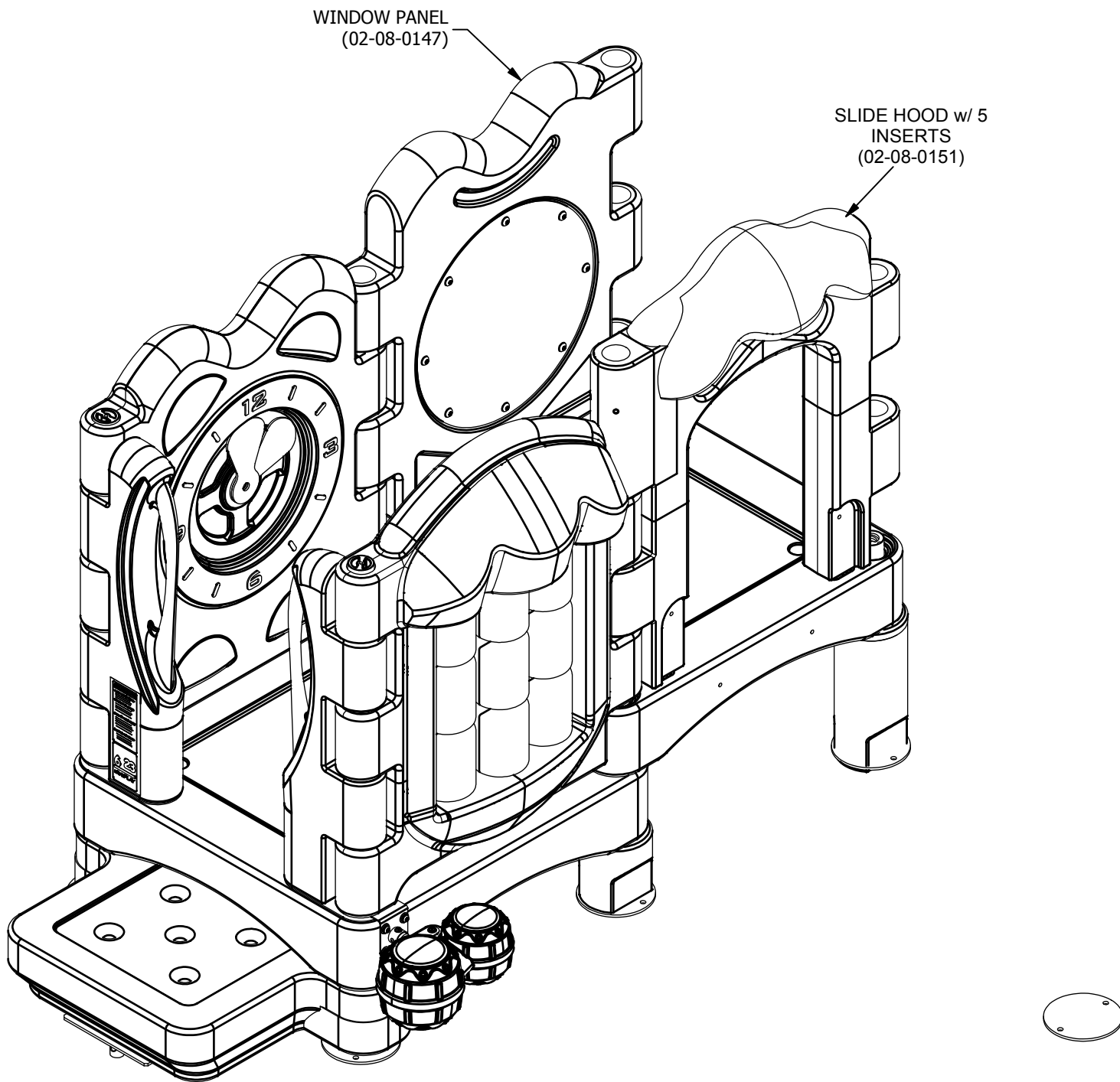
www.ultraplay.com

36



DC-SEEDLING w/ROOF STEP 9

1. Slide Window Panel and Slide Hood into place.



Issued/Revised: 04/15/13

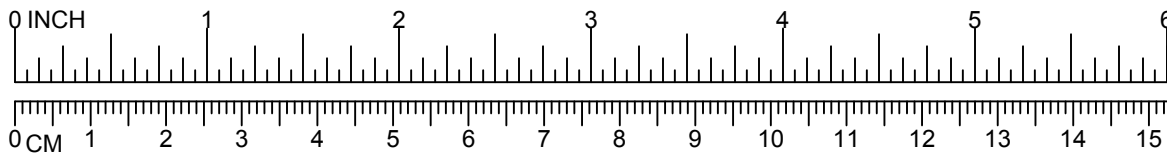
ultraPLAY

A PLAYCORE Company

800.458.5872

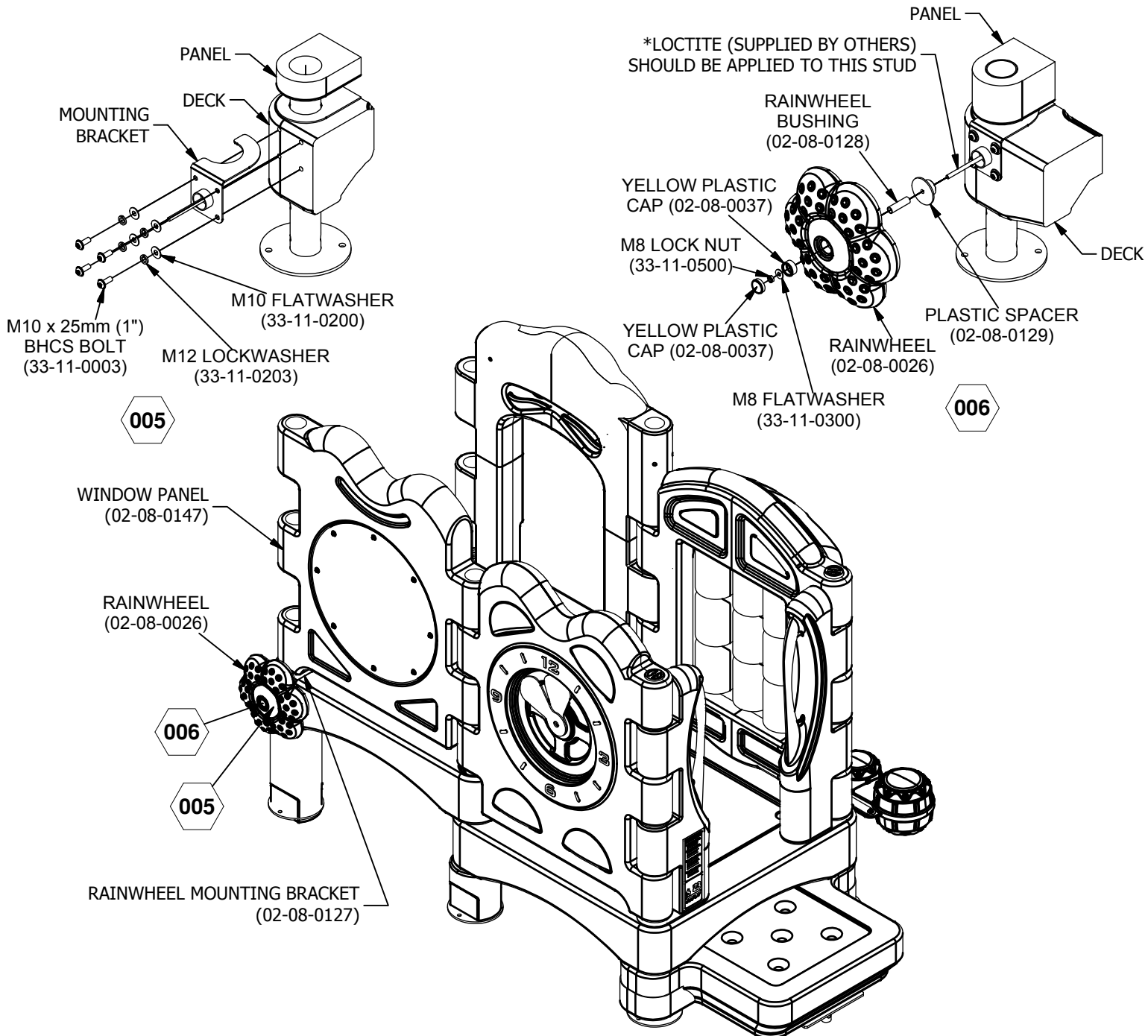
www.ultraplay.com

37



DC-SEEDLING w/ROOF STEP 10

1. Lift Window Panel and slide Rainwheel Mounting Bracket under Clock Panel.
2. Attach Rainwheel Mounting Bracket to Deck using M10 x 25mm B.H.C.S., M12 Lock Washer, and M10 Flat Washer. See Detail 005.
3. Apply loctite adhesive to threads of stud.
4. Attach Rainwheel to Rainwheel Mounting Bracket using Yellow Plastic Cap, M8 Lock Nut, M8 Flat Washer, Rainwheel Bushing and Plastic Spacer. See Detail 006. **NOTE:** Bushing may already be installed in Rainwheel.



Issued/Revised: 04/15/13

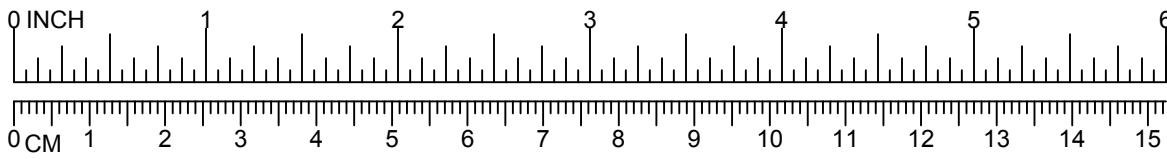
ultraPLAY

A PLAYCORE Company

800.458.5872

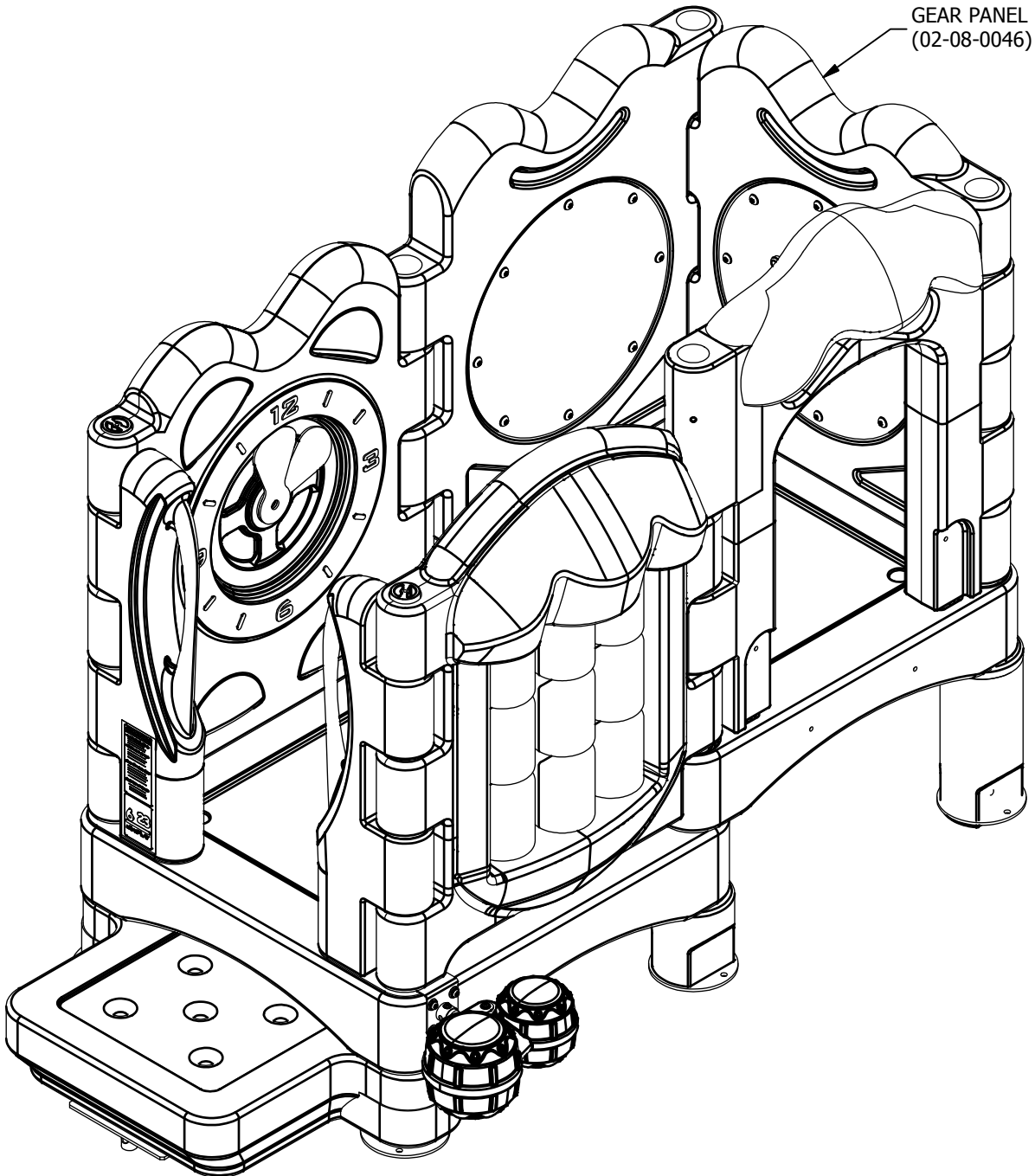
www.ultraplay.com

38



DC-SEEDLING w/ROOF STEP 11

1. Slide Gear Panel into place.



Issued/Revised: 04/15/13

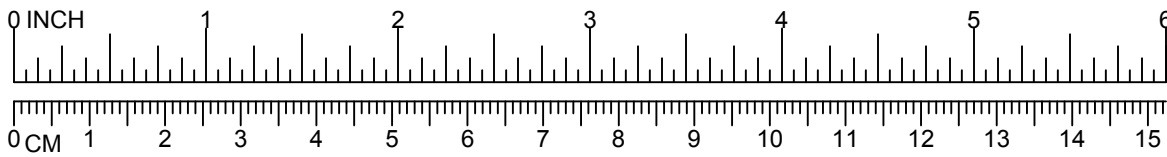
ultraPLAY

A PLAYCORE Company

800.458.5872

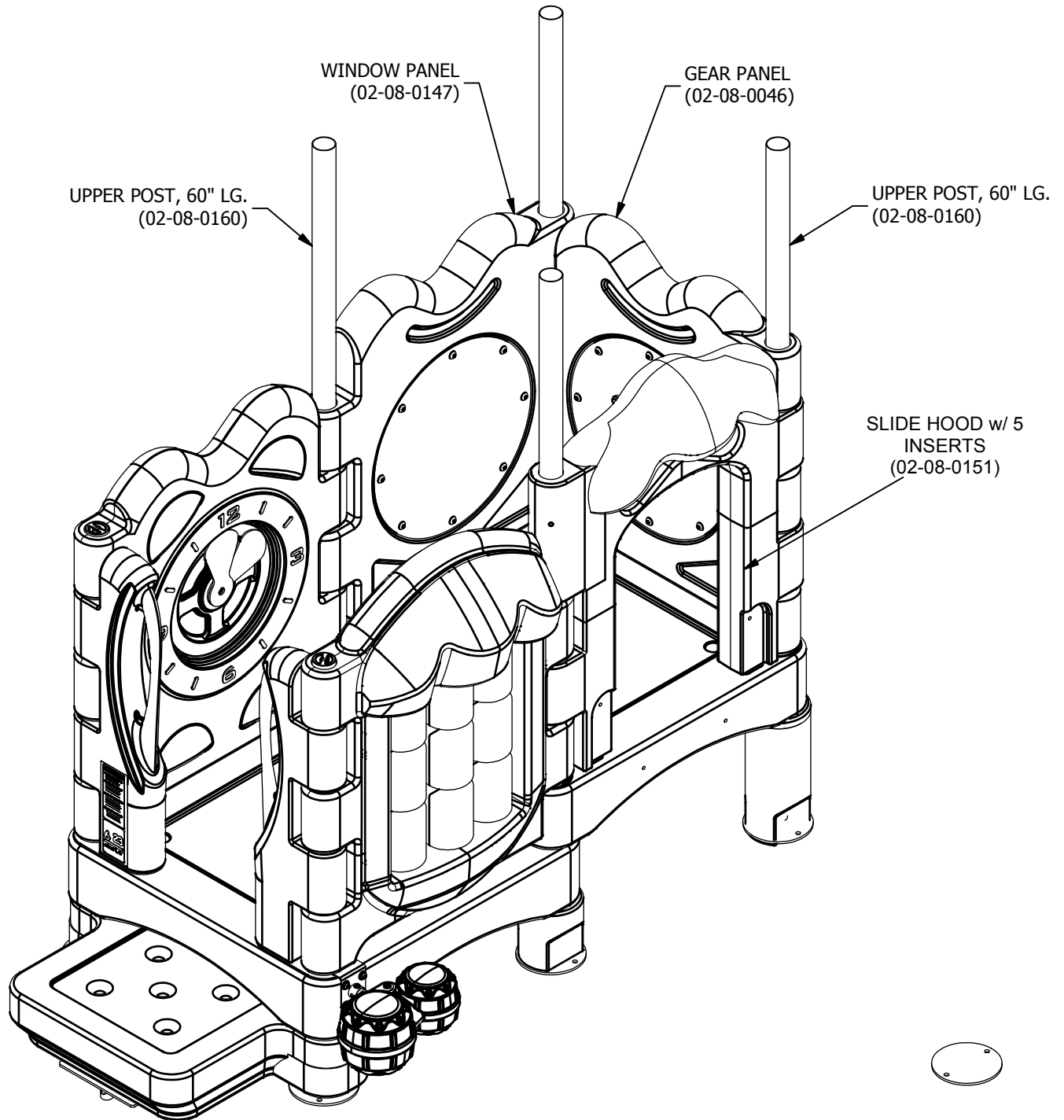
www.ultraplay.com

39



DC-SEEDLING w/ROOF STEP 12

1. Slide Upper Post through the Panels and attach to Lower Post.
2. Tighten all Upper Post to Lower Post.



Issued/Revised: 04/15/13

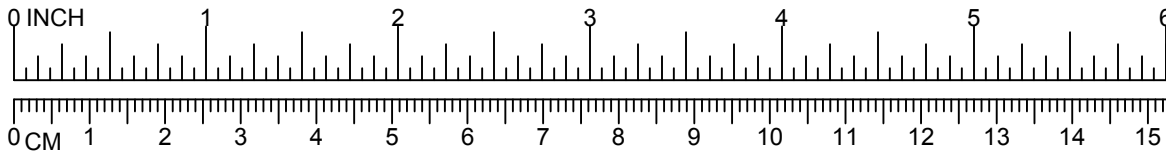
ultraPLAY

A PLAYCORE Company

800.458.5872

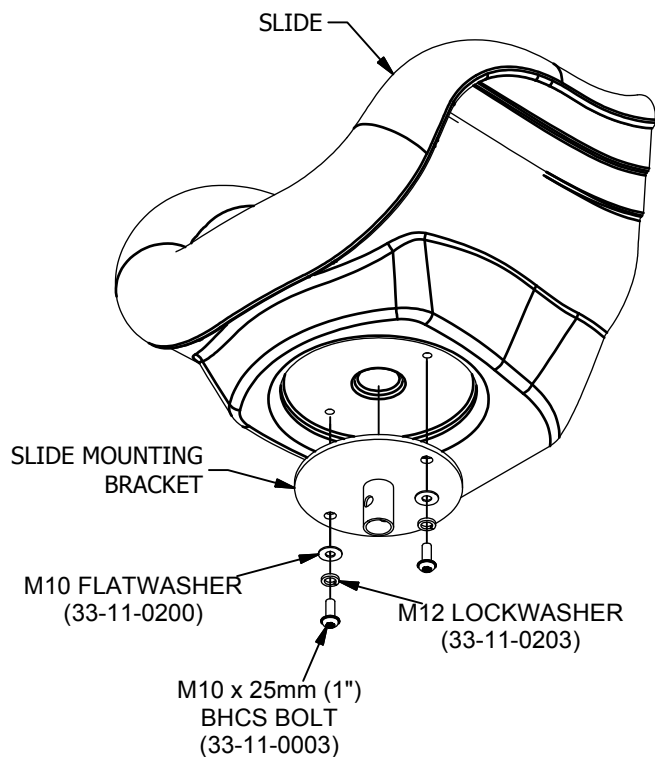
www.ultraplay.com

40

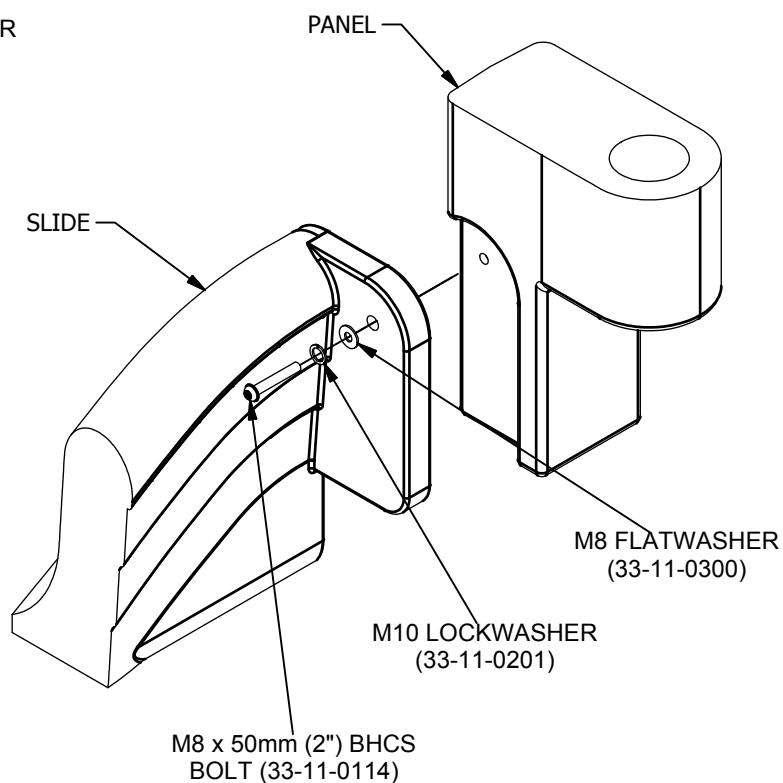


DC-SEEDLING w/ROOF STEP 13

1. Attach Slide Mounting Bracket to Slide using M10 x 25mm B.H.C.S, M12 Lock Washer, and M10 Flat Washer. See Detail 018.
2. Attach Slide to Slide Hood using M8 x 50mm B.H.C.S, M10 Lock Washer, and M8 Flat Washer. See Detail 019.



018



019

Issued/Revised: 04/15/13

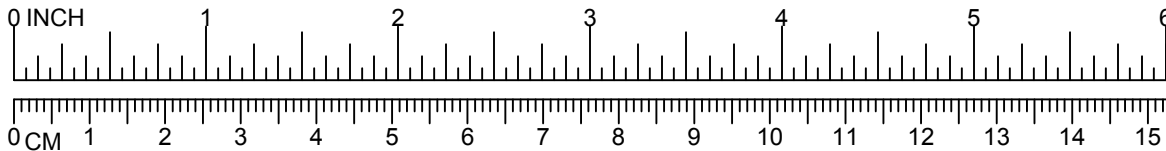
ultraPLAY

A PLAYCORE Company

800.458.5872

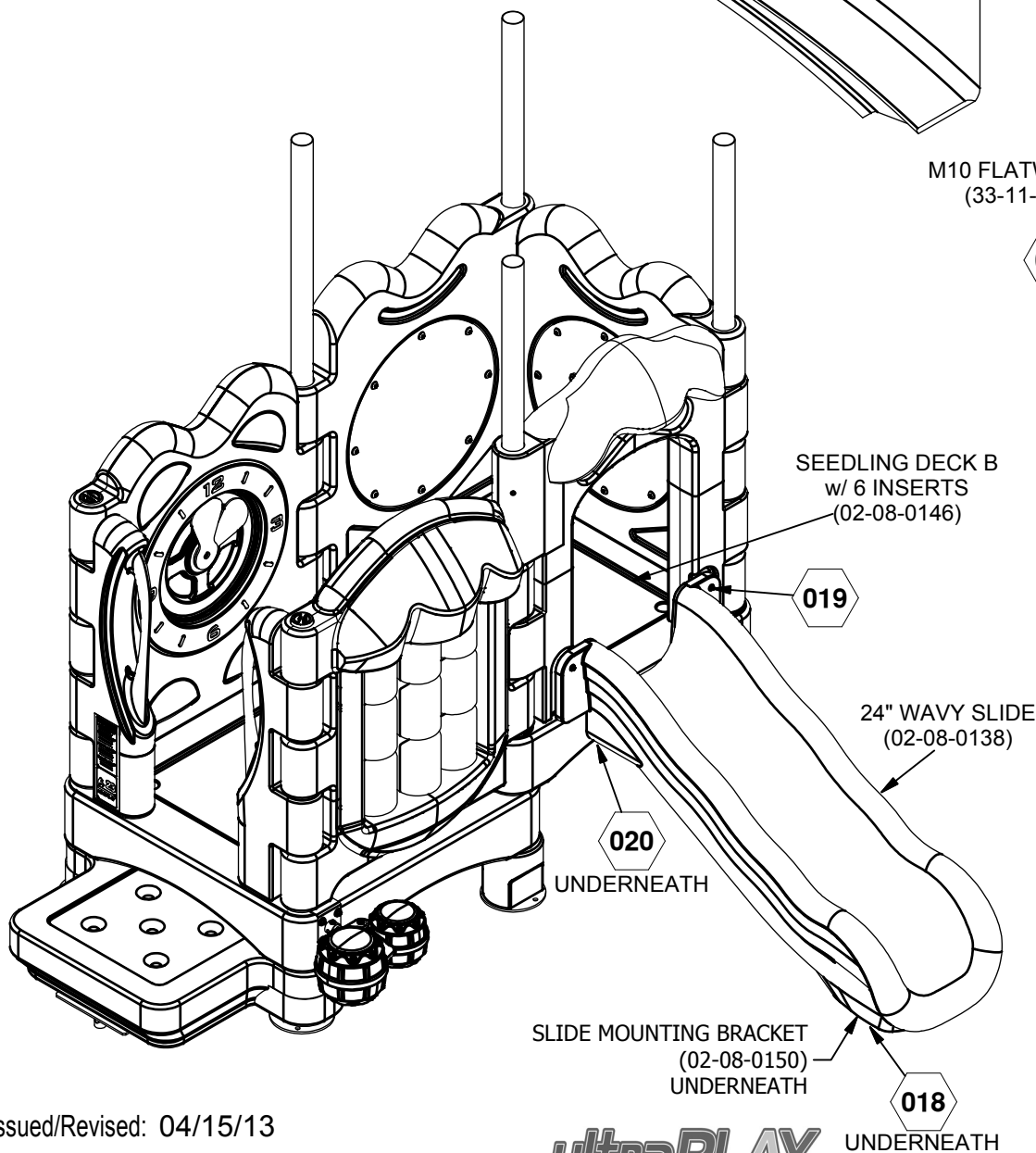
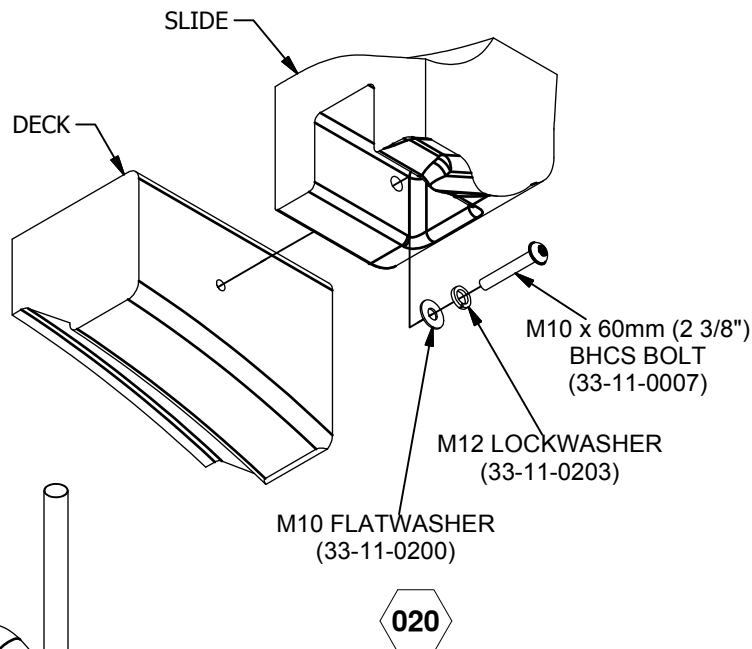
www.ultraplay.com

41



DC-SEEDLING w/ROOF STEP 13 CONT'D

3. Attach Slide to Deck using M10 x 60mm B.H.C.S, M12 Lock Washer, and M10 Flat Washer. See Detail 020.

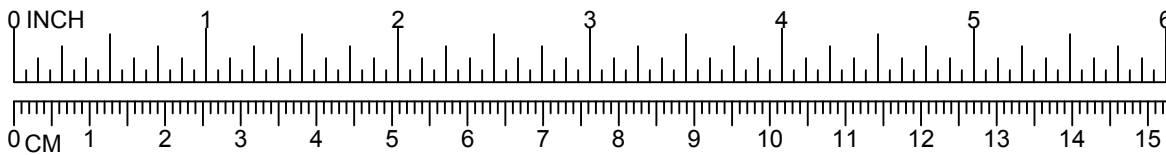


Issued/Revised: 04/15/13

ultraPLAY

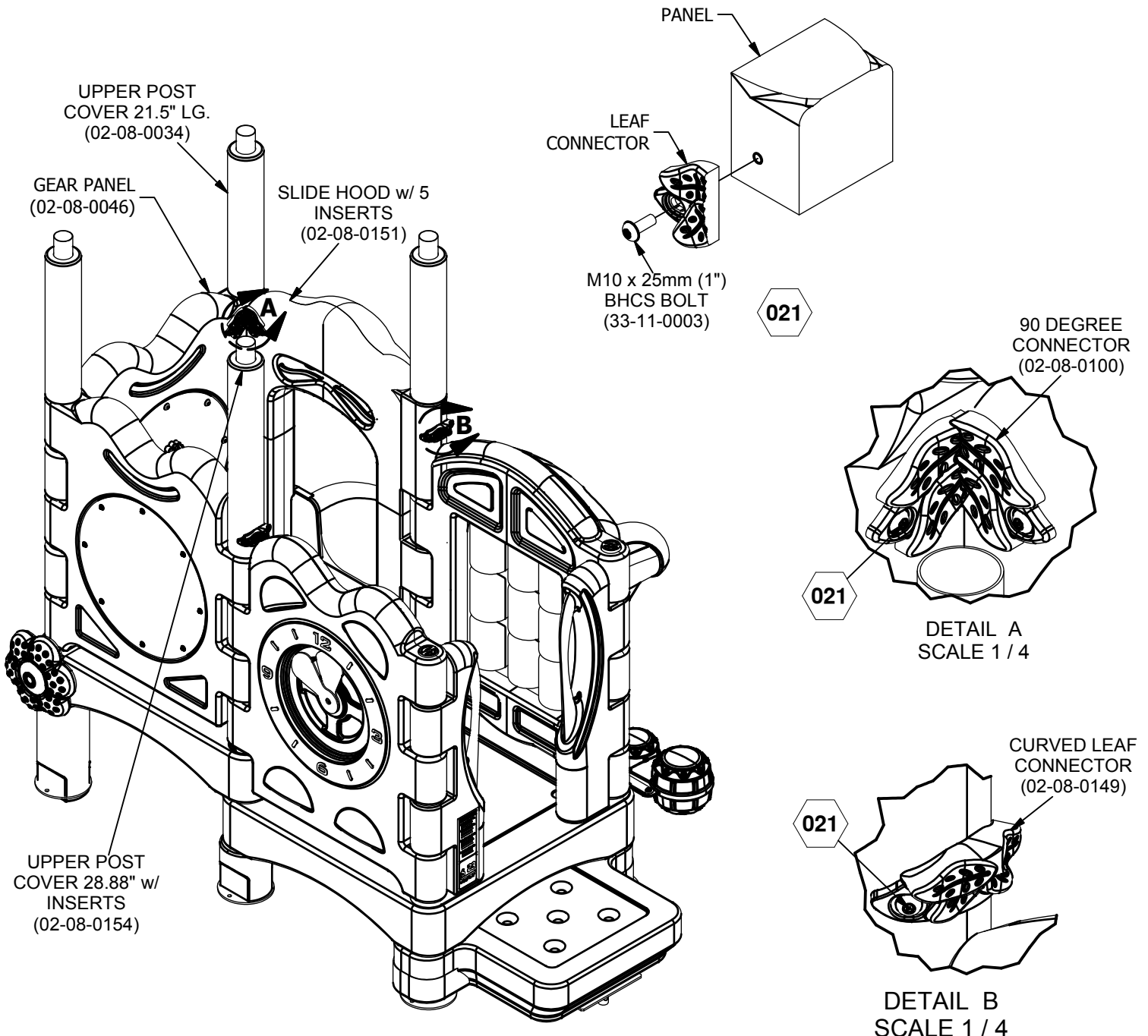
A PLAYCORE Company

www.ultraplay.com



DC-SEEDLING w/ROOF STEP 14

1. Slide Upper Post Covers on to Upright Posts.
2. Attach 90 Degree Connector to Gear Panel and Slide Hood using M10 x 25mm B.H.C.S. Bolt. See Detail 021. **Orientation of 90 Degree Connector is critical. Refer to Detail A.**
3. Attach Curved Leaf Connector to Upper Post Cover and Slide Hood using M10 x 25mm B.H.C.S. Bolt. See Detail 021. **Orientation of Leaf is critical. Refer to Detail B.**



Issued/Revised: 04/15/13

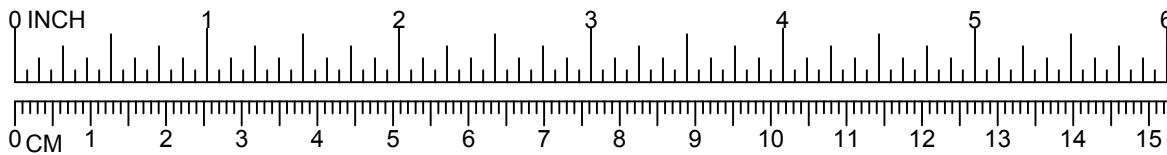
ultraPLAY

A PLAYCORE Company

800.458.5872

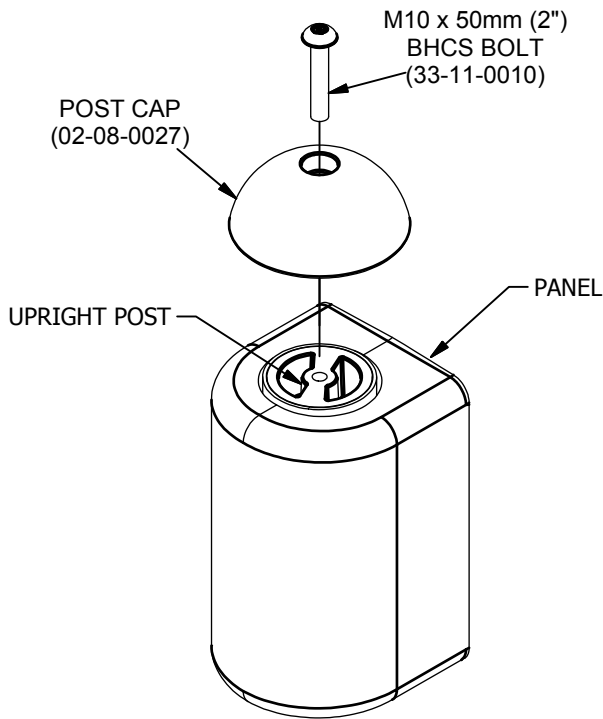
www.ultraplay.com

43

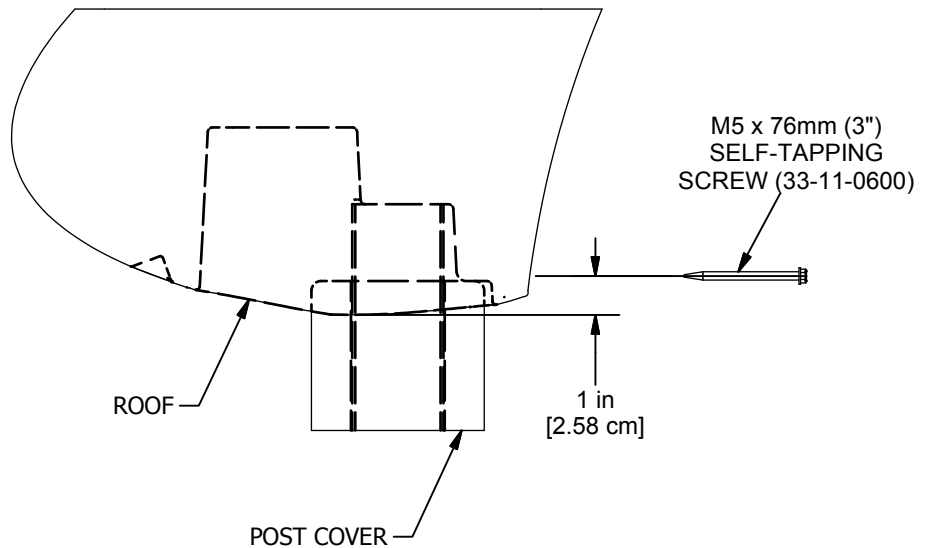


DC-SEEDLING w/ROOF STEP 15

1. Attach Post Caps to Upright using M10 x 50mm B.H.C.S. See Detail 007.
2. Centered horizontally with Upright, measure 1" up from bottom of Roof and drill 1/8" pilot hole through Roof and Post Cover. See Detail 023.



007



023

Issued/Revised: 04/15/13

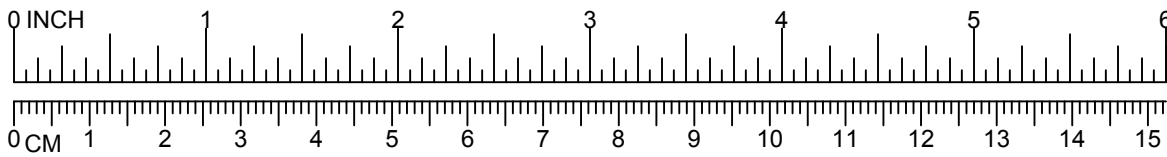
ultraPLAY

A PLAYCORE Company

800.458.5872

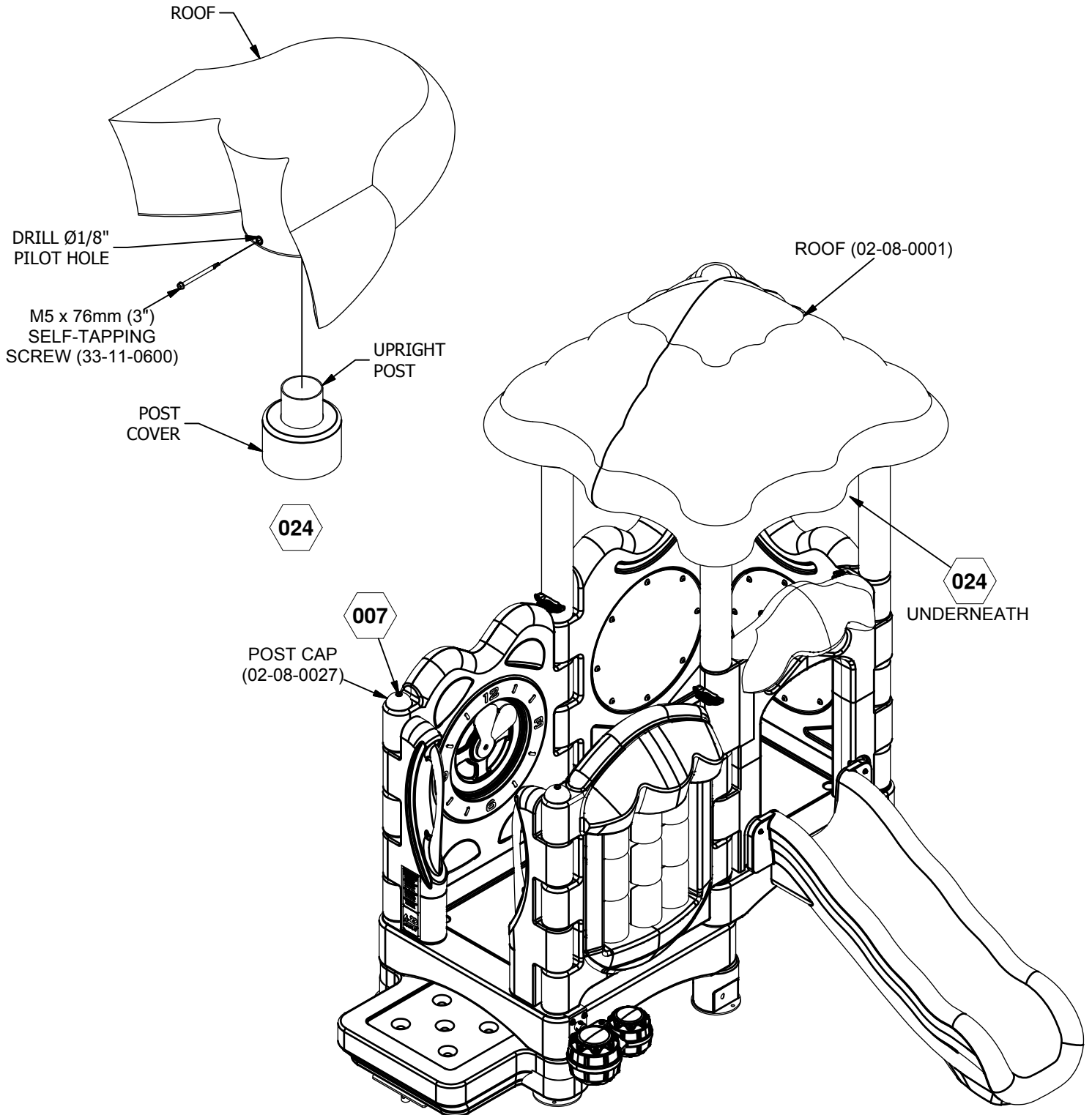
www.ultraplay.com

44



DC-SEEDLING w/ROOF STEP 15 CONT'D

3. Attach Roof to Upright Posts and Post Covers using M5 x 76mm Self-Tapping Screw. See Detail 024.



Issued/Revised: 04/15/13

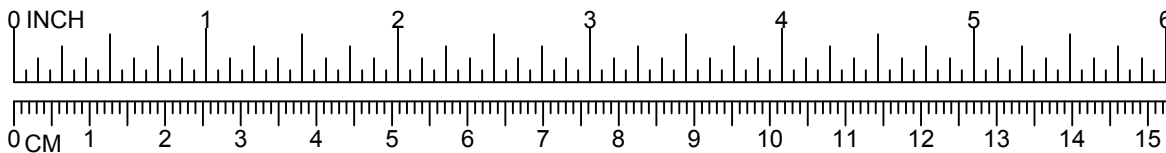
ultraPLAY

A PLAYCORE Company

800.458.5872

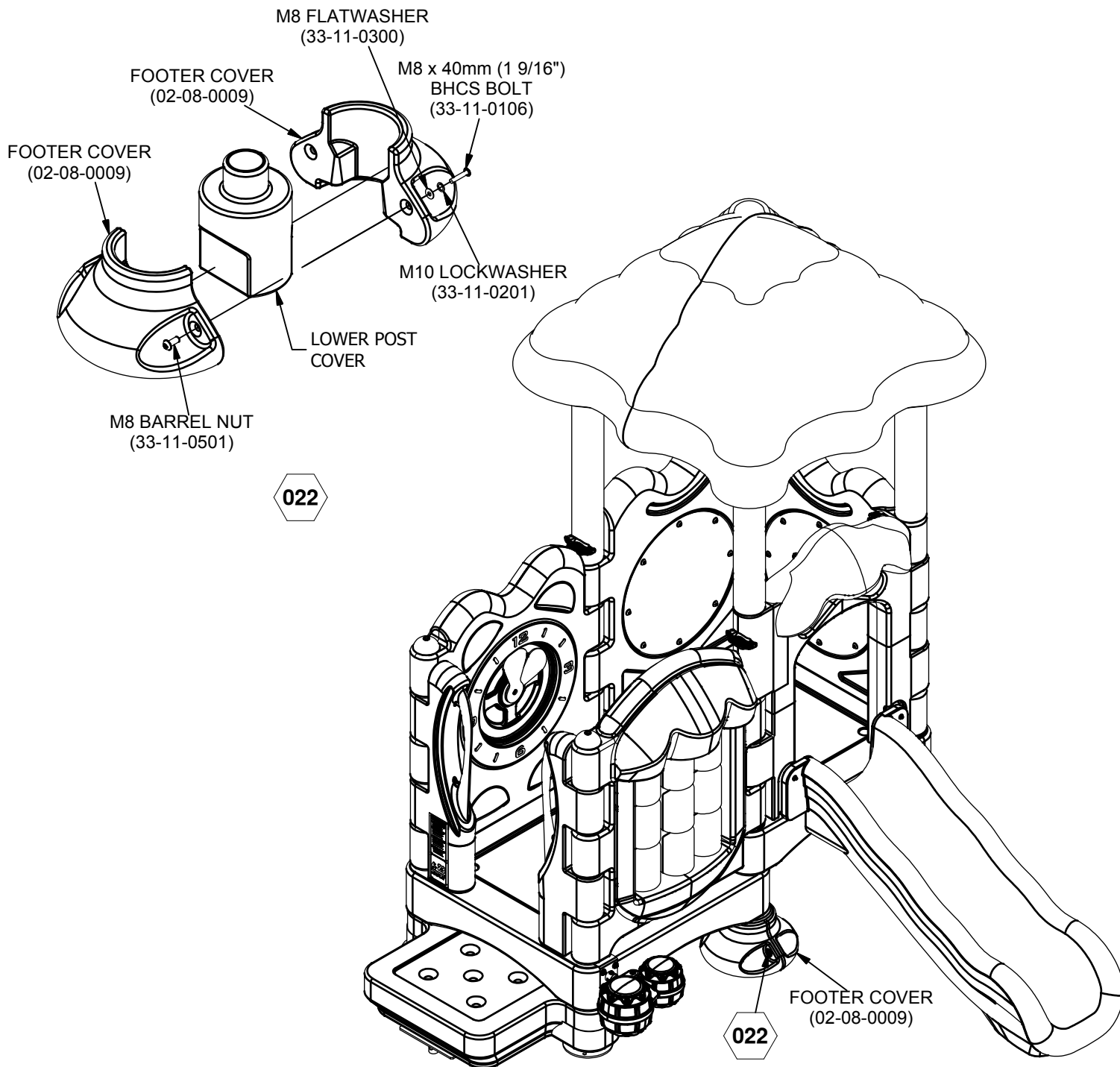
www.ultraplay.com

45



DC-SEDDLING w/ROOF STEP 16

1. After entire unit is assembled attach Footer Covers to Lower Post Covers using M10 x 40mm B.H.C.S., M10 Lock Washer, M8 Flat Washer, and M8 Barrel Nut. See Detail 022.
2. Refer back to your Footing Detail options on pages 18 to 23 to finish assembly.



Issued/Revised: 04/15/13

ultraPLAY

A PLAYCORE Company

800.458.5872

www.ultraplay.com

46